

## CHAPTER 5 BIOCHECK VALVES

- Page 5.4 BioCheck CLASSIC DN 10 DIN
- Page 5.15 BioCheck CLASSIC DN 10 DIN for isolated tanks
- Page 5.16 BioCheck CLASSIC DN 10 DIN – Valve inserts
- Page 5.17 BioCheck CLASSIC DN 15 DIN and Inclined seat DN 10 DIN
- Page 5.22 BioCheck-Inclined seat DN 10 DIN
- Page 5.23 BioCheck CLASSIC DN 15 DIN – Valve inserts
- Page 5.23 BioCheck Inclined seat DN 10 DIN – Valve inserts
- Page 5.24 BioCheck MINI DN 6 and 8 DIN
- Page 5.29 BioCheck MINI DN 8 DIN
- Page 5.33 BioCheck MINI DN 6 and 8 DIN – Valve inserts
- Page 5.35 BioCheck COMPACT DN 10 DIN
- Page 5.42 BioCheck COMPACT DN 10 DIN – Valve inserts
- Page 5.44 BioCheck INGOLD DN 10 DIN
- Page 5.45 BioCheck COMBI DN 10 DIN
- Page 5.47 BioCheck COMBI DN 10 DIN – Accessories
- Page 5.48 BioCheck System Sampling into Bottle
- Page 5.50 Accessories
- Page 5.55 KV tables

# BioCheck

## SAMPLING VALVES

For best results and a safe sampling.

INSTALLATION OF ACTUATOR WITHOUT DAMAGE OF PRODUCT TOUCHED GASKET - NO TWISTING OR SQUEEZING OF PTFE-BELLOW



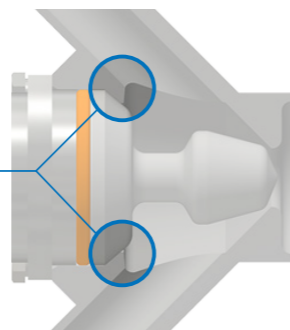
Certified and TA-Luft checked

Tank version - pneumatic with lever

ONLY ONE-PIECE SEALING (PTFE BELLOW) IN CONTACT WITH PRODUCT

WE ARE ONLY USING THE PTFE BELLOW AND NO OTHER DIAPHRAGMS. THIS IS WHY:

Sealing is via the PTFE bellow. This seat (circled in blue) is not moving either axially or radially, resulting in hermetic sealing with a leak-tightness of minimum  $\lambda \leq 10^{-4}$  mbar x l/(s x m);  $\Delta p = 6$  bar depending on Typee. Certification according to TA-LUFT [VDI 2440/VDI 3479] was issued.



The **BioCheck CLASSIC** allows easy and safe sampling of liquid products from closed systems like vessels and pipings. The most important features are the aseptic and the very compact design, so that the integration into sterile production lines and into CIP/SIP-circulations runs easily and without any contamination.

Application areas are the pharmaceutical, biochemical, cosmetic, food and beverage industries with liquid products and sterile air.

Certified according to TA-Luft Helium-leakage-test VDI 2440 / VDI 3479  
Certificate see: [www.rr-rieger.com/downloads](http://www.rr-rieger.com/downloads)

### CONSTRUCTION OF THE VALVE

- / massive valve housing
- / no dead spaces
- / completely draining
- / connections suitable for orbital welding
- / also available with only 1 port
- same price -

### SERVICEABILITY

- / seal replacement without special tools
- / low downtime
- / perfectly cleanable

### EFFICIENCY

- / long lifetime of PTFE bellows
- / minimal maintenance costs

### ABSOLUTE PRODUCT SAFETY

- / perfect isolation from the environment

### MATERIAL

- / in contact with product 1.4404/AISI 316L
- / optional 1.4435/AISI 316L
- / not in contact with product 1.4301/AISI 304
- / all Valves are available in special alloys, such as Hastelloy® C-22, 1.4539/904L, 1.4529, AL-6XN® and others.

### GASKETS

- / PTFE bellows
- / PTFE

### TEMPERATURES

- / maximum continuous operation until 121°C\*
- / steam sterilization max. 135°C\* short-time approx. 20 min

### PRESSURE

- / closing pressure 6 bar standard, 10 bar and higher pressures available upon request
- / air pressure min. 6 bar / max. 10 bar

### SURFACES

- / in contact with product  $Ra \leq 0,8 \mu m$  (32  $\mu in$ ) mechanically polished
- / not in contact with product  $Ra \leq 1,6 \mu m$  (63  $\mu in$ ) mechanically polished
- / higher quality surface finishes and e-polishing available upon request

### CONNECTIONS STANDARD-PIPE CLASSES

- / DIN 11850-R2 (DIN 11866-A)
- / O.D.-Tube (DIN 11866-C)

\* dependent upon operating conditions

BioCheck CLASSIC DN 10 DIN

Drive variants

H = plastic hand wheel



M = metal hand wheel



Special contour for BioControl DN 25



P = pneumatic NC with bracket for prox. 12 mm (not in scope of delivery)



B = pneumatic NC with stroke limitation



LL = pneumatic air to open-spring to close (without bracket)



S = pneumatic NC with self-closing lever



O = pneumatic NC with lever for „open“ position



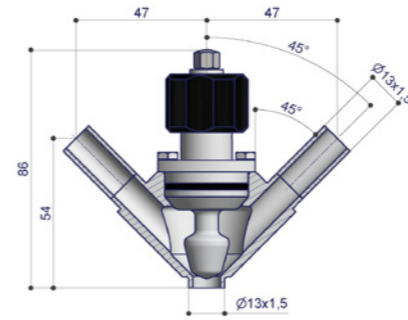
SI = NC with self-closing lever and bracket for prox. 5 (not in scope of delivery)



OI = NC with lever for open position and bracket for prox. 05 (not in scope of delivery)



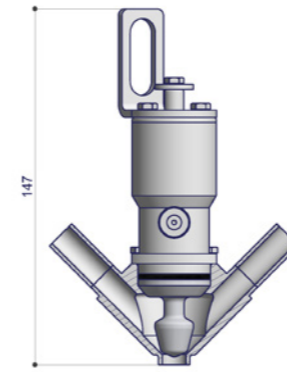
Item number for version with 1 outlet: e.g. 702xx.2010.01.1001.32 same price.



BioCheck CLASSIC DN 10 DIN

for pipe DN 10 up to 20 DIN

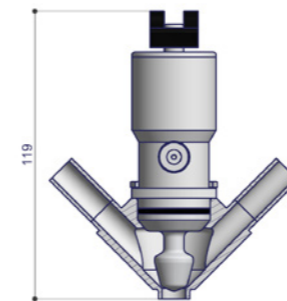
Type	kg	Reference Number	Price
H	0,7	70204.2110.01.1001.32	on request
M	0,8	70244.2110.01.1001.32	on request



BioCheck CLASSIC DN 10 DIN

for pipe DN 10 up to 20 DIN

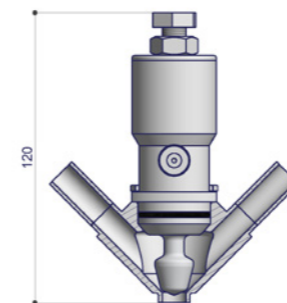
Type	kg	Reference Number	Price	
P	1,0	70203.2110.01.1001.32	on request	
LL	1,0	70205.2110.01.1001.32	on request	without bracket



BioCheck CLASSIC DN 10 DIN

for pipe DN 10 up to 20 DIN

Type	kg	Reference Number	Price
S	1,0	70201.2110.01.1001.32	on request
O	1,0	70202.2110.01.1001.32	on request
SI	1,0	70225.2110.01.1001.32	on request
OI	1,0	70226.2110.01.1001.32	on request



BioCheck CLASSIC DN 10 DIN

for pipe DN 10 up to 20 DIN

Type	kg	Reference Number	Price
B	1,0	70219.2110.01.1001.32	on request

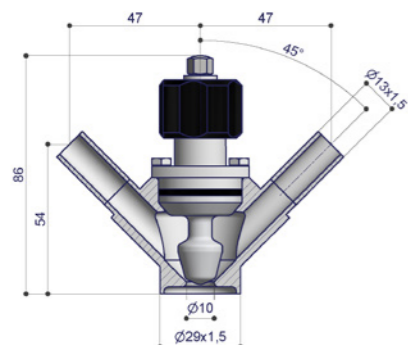
Item number for version with 1 outlet: e.g. 702xx.2010.01.1001.32 same price.



Item number for version with 1 outlet: e.g. 702xx.2010.01.1001.32 same price.



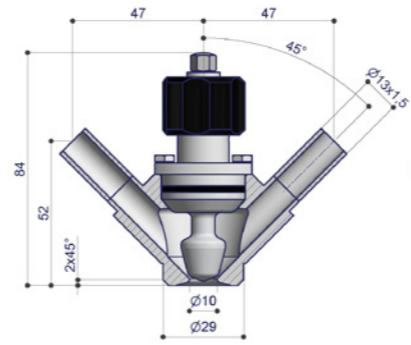
For max. 4mm tank wall thickness. Others on request.



**BioCheck CLASSIC DN 10 DIN**

for pipe from DN 25 DIN

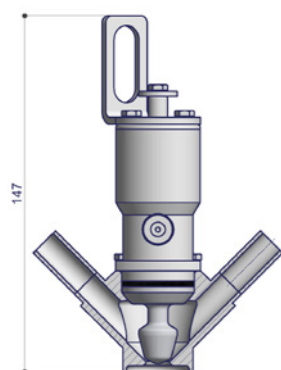
Type	kg	Reference Number	Price
H	0,7	70204.2110.01.0001.32	on request
M	0,8	70244.2110.01.0001.32	on request



**BioCheck CLASSIC DN 10 DIN**

for tank

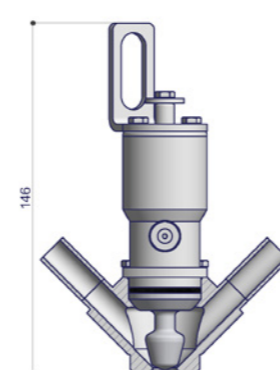
Type	kg	Reference Number	Price
H	0,7	70104.2110.01.0001.32	on request
M	0,8	70144.2110.01.0001.32	on request



**BioCheck CLASSIC DN 10 DIN**

for pipe from DN 25 DIN

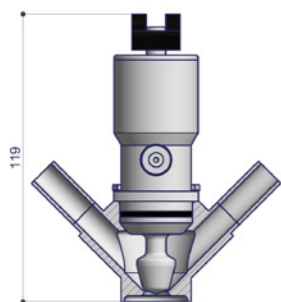
Type	kg	Reference Number	Price	
P	1,0	70203.2110.01.0001.32	on request	
LL	1,0	70205.2110.01.0001.32	on request	without bracket



**BioCheck CLASSIC DN 10 DIN**

for tank

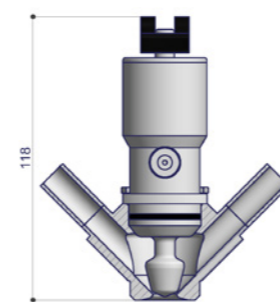
Type	kg	Reference Number	Price	
P	1,0	70103.2110.01.0001.32	on request	
LL	1,0	70105.2110.01.0001.32	on request	without bracket



**BioCheck CLASSIC DN 10 DIN**

for pipe from DN 25 DIN

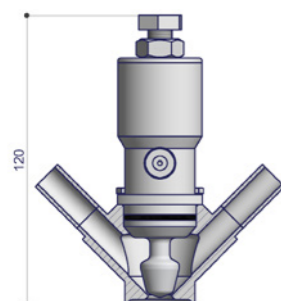
Type	kg	Reference Number	Price
S	1,0	70201.2110.01.0001.32	on request
O	1,0	70202.2110.01.0001.32	on request
SI	1,0	70225.2110.01.0001.32	on request
OI	1,0	70226.2110.01.0001.32	on request



**BioCheck CLASSIC DN 10 DIN**

for tank

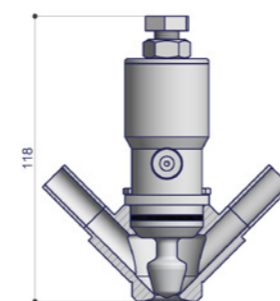
Type	kg	Reference Number	Price
S	1,0	70101.2110.01.0001.32	on request
O	1,0	70102.2110.01.0001.32	on request
SI	1,0	70125.2110.01.0001.32	on request
OI	1,0	70126.2110.01.0001.32	on request



**BioCheck CLASSIC DN 10 DIN**

for pipe from DN 25 DIN

Type	kg	Reference Number	Price
B	1,0	70219.2110.01.0001.32	on request

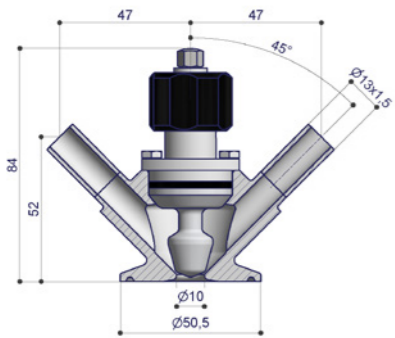


**BioCheck CLASSIC DN 10 DIN**

for tank

Type	kg	Reference Number	Price
B	1,0	70119.2110.01.0001.32	on request

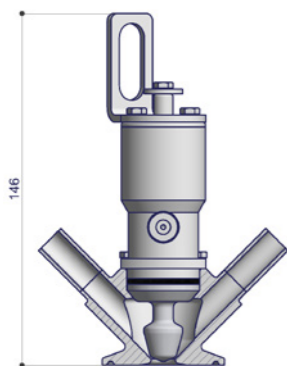
Item number for version with 1 outlet: e.g. 703xx.2010.01.0001.32 same price.



**BioCheck CLASSIC DN 10 DIN**

for Tri-Clamp-connection DIN 32676 Ø50,5

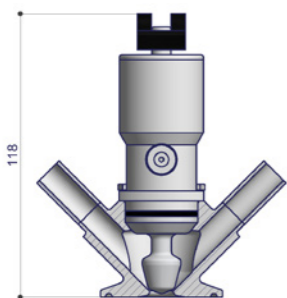
Type	kg	Reference Number	Price
H	0,7	70304.2110.01.0001.32	on request
M	0,8	70344.2110.01.0001.32	on request



**BioCheck CLASSIC DN 10 DIN**

for Tri-Clamp-connection DIN 32676 Ø50,5

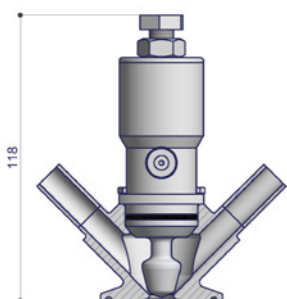
Type	kg	Reference Number	Price	
P	1,0	70303.2110.01.0001.32	on request	
LL	1,0	70305.2110.01.0001.32	on request	without bracket



**BioCheck CLASSIC DN 10 DIN**

for Tri-Clamp-connection DIN 32676 Ø50,5

Type	kg	Reference Number	Price
S	1,0	70301.2110.01.0001.32	on request
O	1,0	70302.2110.01.0001.32	on request
SI	1,0	70325.2110.01.0001.32	on request
OI	1,0	70326.2110.01.0001.32	on request

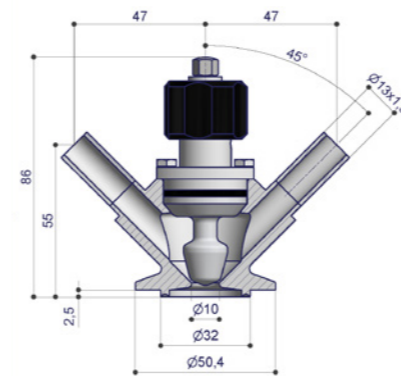


**BioCheck CLASSIC DN 10 DIN**

for Tri-Clamp-connection DIN 32676 Ø50,5

Type	kg	Reference Number	Price
B	1,0	70319.2110.01.0001.32	on request

Item number for version with 1 outlet: e.g. 706xx.2010.01.0001.32 same price.

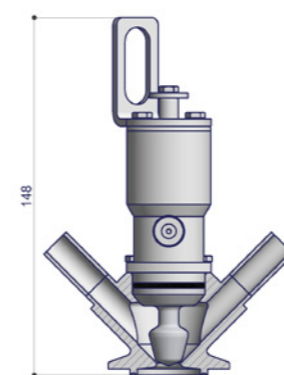


**BioCheck CLASSIC DN 10 DIN**

with BioConnect clamp ferrule DN 25 DIN Form V

Type	kg	Reference Number	Price
H	0,7	70604.2110.01.0001.32	on request
M	0,8	70644.2110.01.0001.32	on request

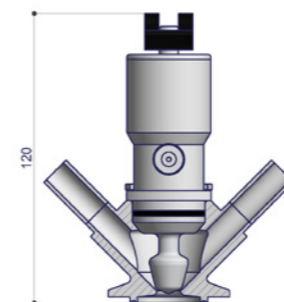
/ for BioConnect clamp ferrule Form R DIN DN 25 Reference Number 109130000254100 / for O ring 27 x 3 EPDM Reference Number 1000895



**BioCheck CLASSIC DN 10 DIN**

with BioConnect clamp ferrule DN 25 DIN Form V

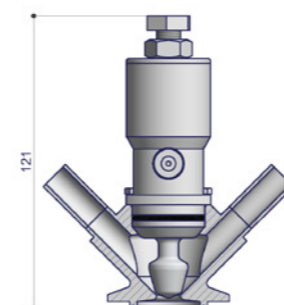
Type	kg	Reference Number	Price	
P	1,0	70603.2110.01.0001.32	on request	
LL	1,0	70605.2110.01.0001.32	on request	without bracket



**BioCheck CLASSIC DN 10 DIN**

with BioConnect clamp ferrule DN 25 DIN Form V

Type	kg	Reference Number	Price
S	1,0	70601.2110.01.0001.32	on request
O	1,0	70602.2110.01.0001.32	on request
SI	1,0	70625.2110.01.0001.32	on request
OI	1,0	70626.2110.01.0001.32	on request

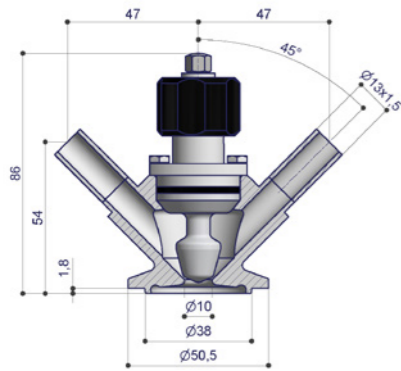


**BioCheck CLASSIC DN 10 DIN**

with BioConnect clamp ferrule DN 25 DIN Form V

Type	kg	Reference Number	Price
B	1,0	70619.2110.01.0001.32	on request

Item number for version with 1 outlet: e.g. 731xx.2010.01.0001.32 same price.



**BioCheck CLASSIC DN 10 DIN**  
with clamp ferrule with groove DIN 11864 DN 25 DIN

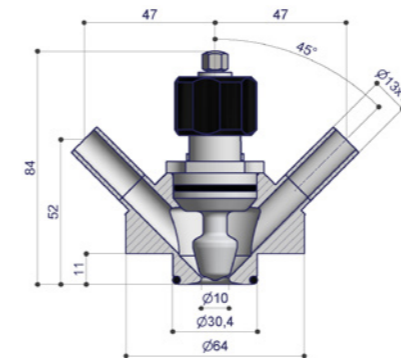
Type	kg	Reference Number	Price
H	0,7	73104.2110.01.0001.32	on request
M	0,8	73144.2110.01.0001.32	on request

/ for O ring 22 x 3,5 EPDM  
Reference Number 1000705

Item number for version with 1 outlet: e.g. 704xx.2010.01.0401.32 same price.



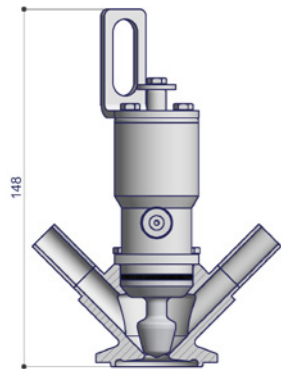
Inserts with special contour!



**BioCheck CLASSIC DN 10 DIN**  
for BioControl connection DN 25

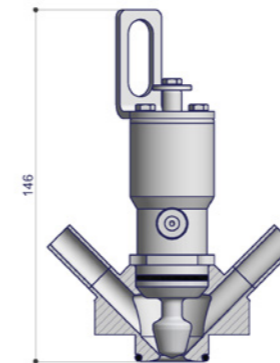
Type	kg	Reference Number	Price
H	0,7	70404.2110.01.0401.32	on request
M	0,8	70444.2110.01.0401.32	on request

/ including 4 screws and  
O ring 23,5 x 3 EPDM  
Reference Number 1000675



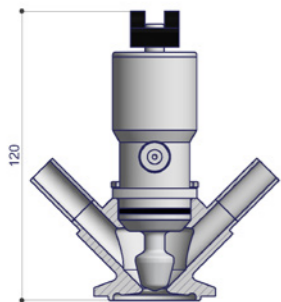
**BioCheck CLASSIC DN 10 DIN**  
with clamp ferrule with groove DIN 11864 DN 25 DIN

Type	kg	Reference Number	Price	
P	1,0	73103.2110.01.0001.32	on request	
LL	1,0	73105.2110.01.0001.32	on request	without bracket



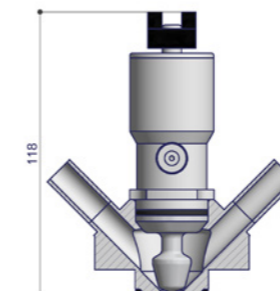
**BioCheck CLASSIC DN 10 DIN**  
for BioControl connection DN 25

Type	kg	Reference Number	Price	
P	1,0	70403.2110.01.0401.32	on request	
LL	1,0	70405.2110.01.0401.32	on request	without bracket



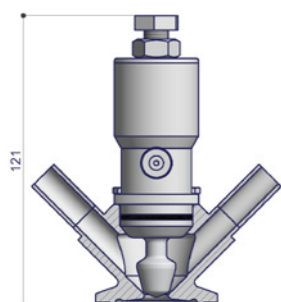
**BioCheck CLASSIC DN 10 DIN**  
with clamp ferrule with groove DIN 11864 DN 25 DIN

Type	kg	Reference Number	Price
S	1,0	73101.2110.01.0001.32	on request
O	1,0	73102.2110.01.0001.32	on request
SI	1,0	73125.2110.01.0001.32	on request
OI	1,0	73126.2110.01.0001.32	on request



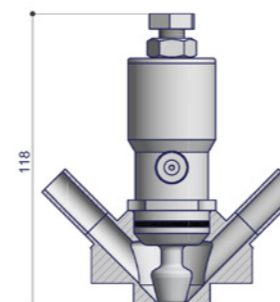
**BioCheck CLASSIC DN 10 DIN**  
for BioControl connection DN 25

Type	kg	Reference Number	Price
S	1,0	70401.2110.01.0401.32	on request
O	1,0	70402.2110.01.0401.32	on request
SI	1,0	70425.2110.01.0401.32	on request
OI	1,0	70426.2110.01.0401.32	on request



**BioCheck CLASSIC DN 10 DIN**  
with clamp ferrule with groove DIN 11864 DN 25 DIN

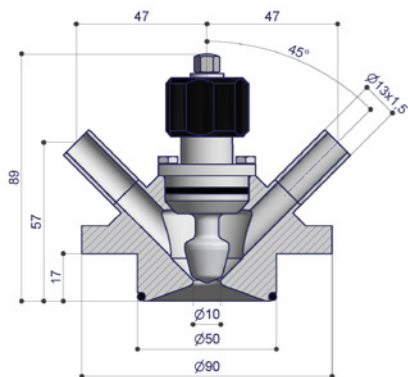
Type	kg	Reference Number	Price
B	1,0	73119.2110.01.0001.32	on request



**BioCheck CLASSIC DN 10 DIN**  
for BioControl connection DN 25

Type	kg	Reference Number	Price
B	1,0	70419.2110.01.0401.32	on request

Item number for version with 1 outlet: e.g. 704xx.2010.01.0701.32 same price.

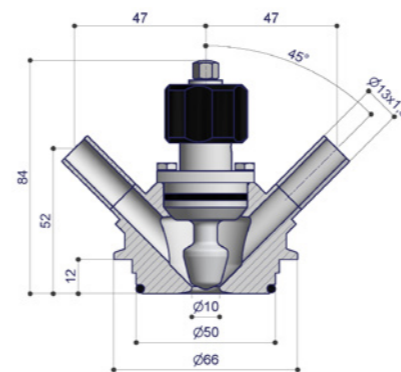


**BioCheck CLASSIC DN 10 DIN**  
for BioControl connection DN 50

Type	kg	Reference Number	Price
H	0,7	70404.2110.01.0701.32	on request
M	0,8	70444.2110.01.0701.32	on request

/ including 4 screws and O ring 42 x 3 EPDM Reference Number 1000040

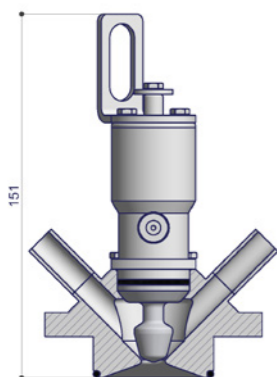
Item number for version with 1 outlet: e.g. 705xx.2010.01.0401.32 same price.



**BioCheck CLASSIC DN 10 DIN**  
for Varivent-Inline body DN 25 Type F

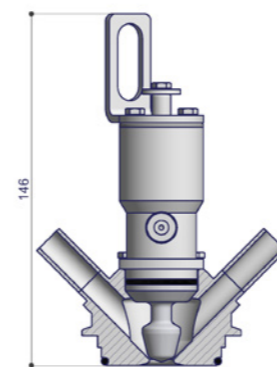
Type	kg	Reference Number	Price
H	0,9	70504.2110.01.0401.32	on request
M	1,0	70544.2110.01.0401.32	on request

/ including O ring 43 x 3 EPDM Reference Number 1001437



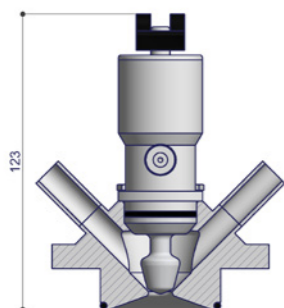
**BioCheck CLASSIC DN 10 DIN**  
for BioControl connection DN 50

Type	kg	Reference Number	Price	
P	1,0	70403.2110.01.0701.32	on request	
LL	1,0	70405.2110.01.0701.32	on request	without bracket



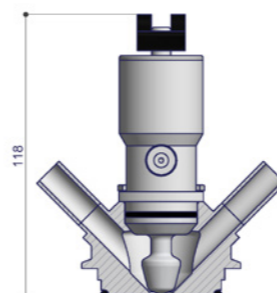
**BioCheck CLASSIC DN 10 DIN**  
for Varivent-Inline body DN 25 Type F

Type	kg	Reference Number	Price	
P	1,1	70503.2110.01.0401.32	on request	
LL	1,1	70505.2110.01.0401.32	on request	without bracket



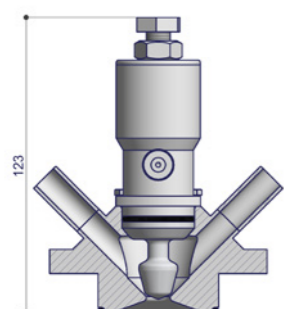
**BioCheck CLASSIC DN 10 DIN**  
for BioControl connection DN 50

Type	kg	Reference Number	Price
S	1,0	70401.2110.01.0701.32	on request
O	1,0	70402.2110.01.0701.32	on request
SI	1,0	70425.2110.01.0701.32	on request
OI	1,0	70426.2110.01.0701.32	on request



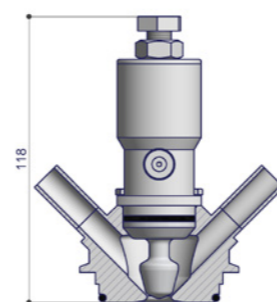
**BioCheck CLASSIC DN 10 DIN**  
for Varivent-Inline body DN 25 Type F

Type	kg	Reference Number	Price
S	1,1	70501.2110.01.0401.32	on request
O	1,1	70502.2110.01.0401.32	on request
SI	1,1	70525.2110.01.0401.32	on request
OI	1,1	70526.2110.01.0401.32	on request



**BioCheck CLASSIC DN 10 DIN**  
for BioControl connection DN 50

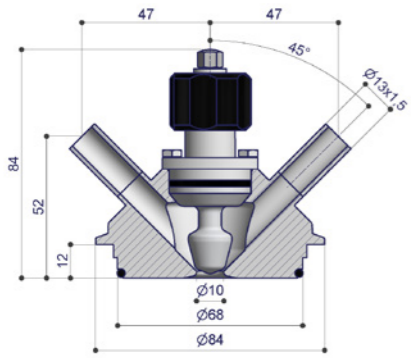
Type	kg	Reference Number	Price
B	1,0	70419.2110.01.0701.32	on request



**BioCheck CLASSIC DN 10 DIN**  
for Varivent-Inline body DN 25 Type F

Type	kg	Reference Number	Price
B	1,1	70519.2110.01.0401.32	on request

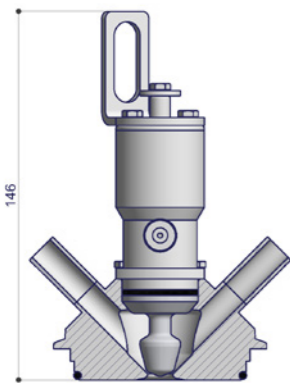
Item number for version with 1 outlet: e.g. 705xx.2010.01.0601.32 same price.



**BioCheck CLASSIC DN 10 DIN**  
for Varivent-Inline body DN 40-125 Type N

Type	kg	Reference Number	Price
H	1,2	70504.2110.01.0601.32	on request
M	1,3	70544.2110.01.0601.32	on request

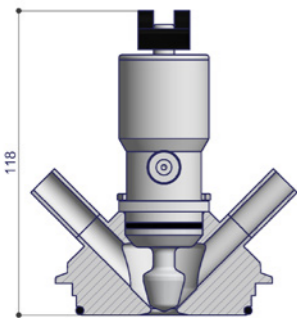
/ including O ring 62 x 3 EPDM  
Reference Number 1000759



**BioCheck CLASSIC DN 10 DIN**  
for Varivent-Inline body DN 40-125 Type N

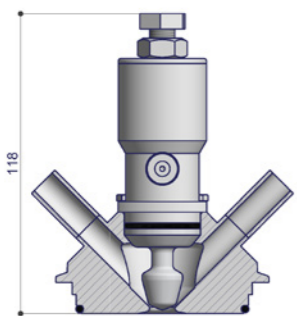
Type	kg	Reference Number	Price
P	1,4	70503.2110.01.0601.32	on request
LL	1,4	70505.2110.01.0601.32	on request

without bracket



**BioCheck CLASSIC DN 10 DIN**  
for Varivent-Inline body DN 40-125 Type N

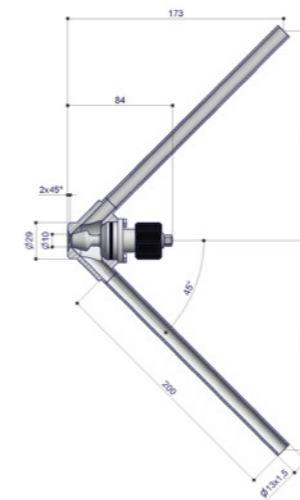
Type	kg	Reference Number	Price
S	1,4	70501.2110.01.0601.32	on request
O	1,4	70502.2110.01.0601.32	on request
SI	1,4	70525.2110.01.0601.32	on request
OI	1,4	70526.2110.01.0601.32	on request



**BioCheck CLASSIC DN 10 DIN**  
for Varivent-Inline body DN 40-125 Type N

Type	kg	Reference Number	Price
B	1,4	70519.2110.01.0601.32	on request

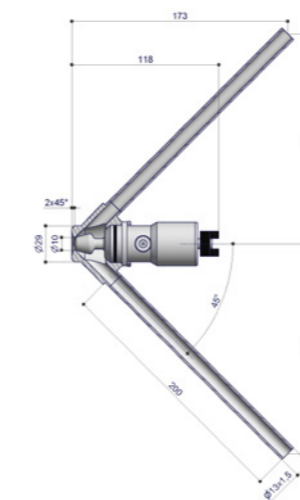
**BioCheck CLASSIC DN 10 DIN for isolated tanks**  
examples from practice



**BioCheck CLASSIC DN 10 DIN for isolated tanks**  
examples from practice

Type	kg	Reference Number	Price
H	0,8	70104.2300.01.0001.32	on request

/ with plastic hand wheel  
/ pipes ca. 200 mm long  
(other lengths on request)  
/ for max. 4 mm tank wall thickness  
(others on request)



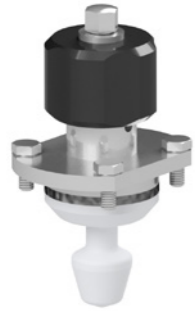
**BioCheck CLASSIC DN 10 DIN for isolated tanks**  
examples from practice

Type	kg	Reference Number	Price
S	1,0	70101.2300.01.0001.32	on request

/ air to open-spring to close with  
self-closing lever  
/ pipes ca. 200 mm long  
(other lengths on request)  
/ for max. 4 mm tank wall thickness  
(others on request)



Type H



Type M



Type HB



**BioCheck CLASSIC DN 10 DIN**

Valve inserts

Type	kg	Reference Number	Price
H	0,2	5200033	on request
M	0,3	5203388	on request
HB	0,2	5203133	on request

Special contour for all drives of BioConnect DN 25 on request

Type B



Type P



Type LL



**BioCheck CLASSIC DN 10 DIN**

Valve inserts

Type	kg	Reference Number	Price
B	0,3	5200069-B	on request
P	0,3	5200069	on request
LL	0,3	5200069-LL	on request

Special contour for all drives of BioConnect DN 25 on request

Type S



Type O



**BioCheck CLASSIC DN 10 DIN**

Valve inserts

Type	kg	Reference Number	Price
S	0,3	5200032	on request
O	0,3	5200032-O	on request

Special contour for all drives of BioConnect DN 25 on request

Type SI



Type OI



**BioCheck CLASSIC DN 10 DIN**

Valve inserts  
with bracket for Ini M5 (on site)

Type	kg	Reference Number	Price
SI	0,3	5200032-001	on request
OI	0,3	5200032-O-001	on request

Special contour for all drives of BioConnect DN 25 on request

Meaning of abbreviations see page 5.16

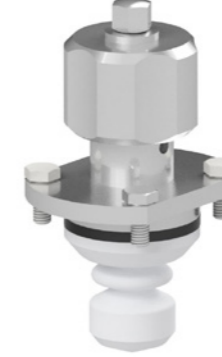
**BioCheck CLASSIC DN 15 DIN and inclined seat DN 10 DIN**

Drive variants

H = Plastic hand wheel



M = Metal hand wheel



B = pneumatic NC with stroke limitation



P = pneumatic NC with bracket for prox. Ø12 (prox. not in scope of delivery)



V = pneumatic NC with bracket for prox. Ø12 mm (multit-switch)



D = pneumatic NC with three-position drive



LL = pneumatic air to open-air to close (without bracket)



S = pneumatic NC with self-closing lever



O = pneumatic NC with lever for open position



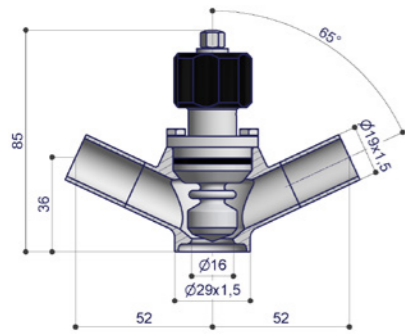
SI = pneumatic NC with self-closing lever and bracket for prox. Ø5 mm (not in scope of delivery)



OI = pneumatic NC with lever for open position and bracket for prox. Ø5 mm (not in scope of delivery)



Item number for version with 1 outlet: e.g. 702xx.2010.01.0002.32 same price.



**BioCheck CLASSIC DN 15 DIN**

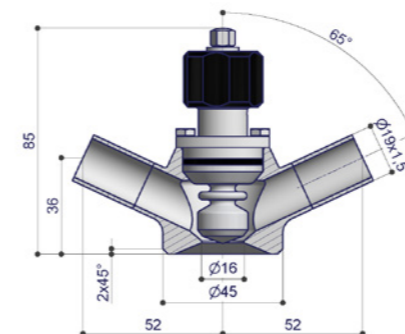
for pipe from DN 25 DIN

Type	kg	Reference Number	Price
H	0,7	70204.2110.01.0002.32	on request
M	0,8	70244.2110.01.0002.32	on request

Item number for version with 1 outlet: e.g. 701xx.2010.01.0002.32 same price.



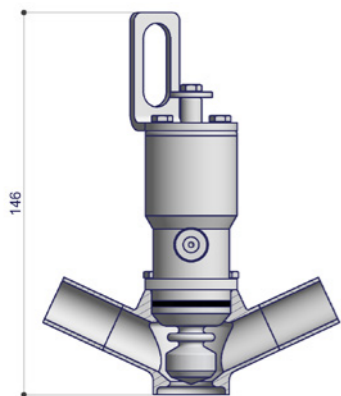
For max. 4mm tank wall thickness. Others on request.



**BioCheck CLASSIC DN 15 DIN**

for tank

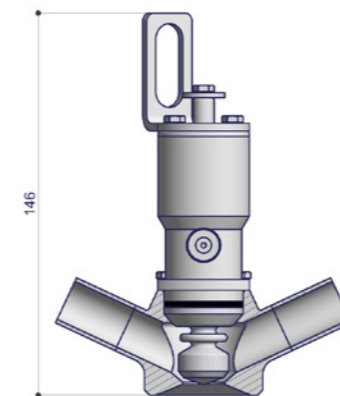
Type	kg	Reference Number	Price
H	0,7	70104.2110.01.0002.32	on request
M	0,8	70144.2110.01.0002.32	on request



**BioCheck CLASSIC DN 15 DIN**

for pipe from DN 25 DIN

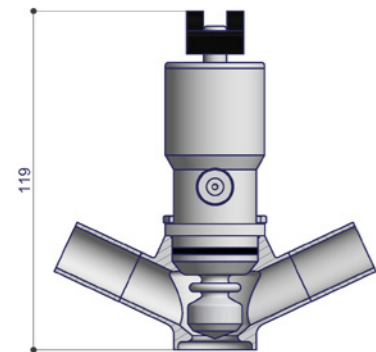
Type	kg	Reference Number	Price	
P	1,0	70203.2110.01.0002.32	on request	
V	1,0	70217.2110.01.0002.32	on request	
D	1,1	70271.2110.01.0002.32	on request	
LL	1,0	70205.2110.01.0002.32	on request	without bracket



**BioCheck CLASSIC DN 15 DIN**

for tank

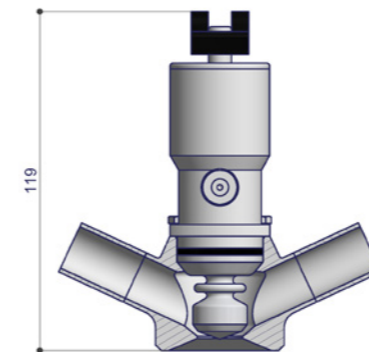
Type	kg	Reference Number	Price	
P	1,0	70103.2110.01.0002.32	on request	
V	1,0	70117.2110.01.0002.32	on request	
D	1,0	70171.2110.01.0002.32	on request	
LL	1,0	70105.2110.01.0002.32	on request	without bracket



**BioCheck CLASSIC DN 15 DIN**

for pipe from DN 25 DIN

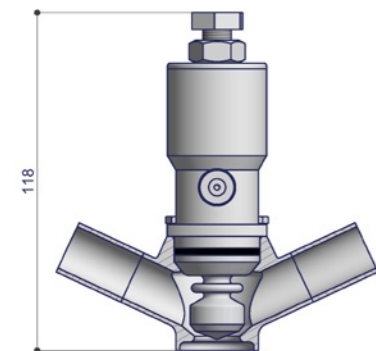
Type	kg	Reference Number	Price
S	1,0	70201.2110.01.0002.32	on request
O	1,0	70202.2110.01.0002.32	on request
SI	1,0	70225.2110.01.0002.32	on request
OI	1,0	70226.2110.01.0002.32	on request



**BioCheck CLASSIC DN 15 DIN**

for tank

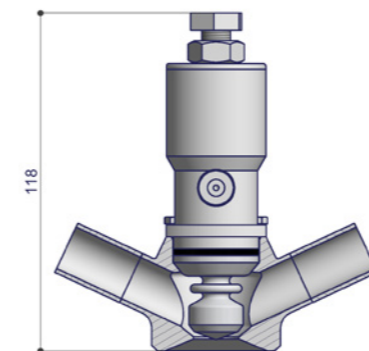
Type	kg	Reference Number	Price
S	1,0	70101.2110.01.0002.32	on request
O	1,0	70102.2110.01.0002.32	on request
SI	1,0	70125.2110.01.0002.32	on request
OI	1,0	70126.2110.01.0002.32	on request



**BioCheck CLASSIC DN 15 DIN**

for pipe from DN 25 DIN

Type	kg	Reference Number	Price
B	1,0	70219.2110.01.0002.32	on request

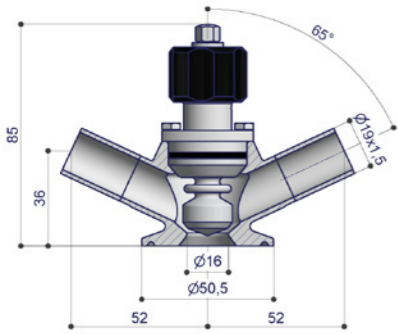


**BioCheck CLASSIC DN 15 DIN**

for tank

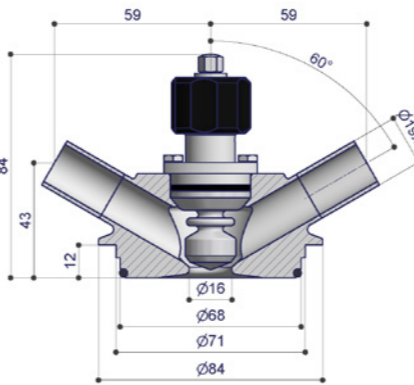
Type	kg	Reference Number	Price
B	1,0	70119.2110.01.0002.32	on request

Item number for version with 1 outlet: e.g. 703xx.2010.01.0002.32 same price. **i**



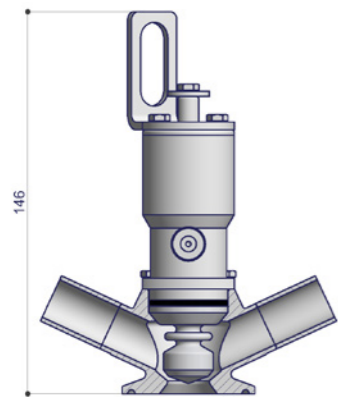
**BioCheck CLASSIC DN 15 DIN**  
for Tri-Clamp-connection DIN 32676 Ø50,5

Type	kg	Reference Number	Price
H	0,7	70304.2110.01.0002.32	on request
M	0,8	70344.2110.01.0002.32	on request



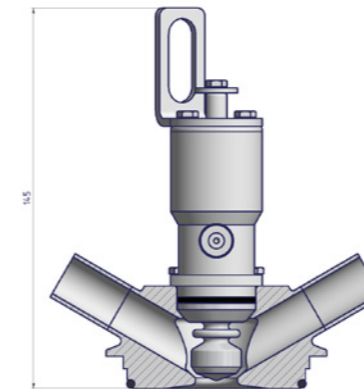
**BioCheck CLASSIC DN 15 DIN**  
for Varivent-Inline body DN 40-125 Type N

Type	kg	Reference Number	Price
H	0,7	70504.2110.01.0602.32	on request
M	0,8	70544.2110.01.0602.32	on request



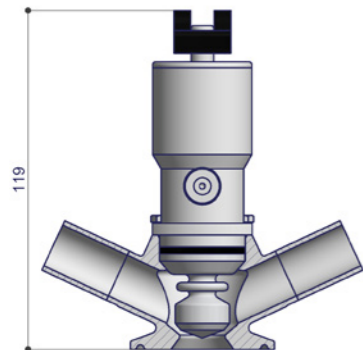
**BioCheck CLASSIC DN 15 DIN**  
for Tri-Clamp-connection DIN 32676 Ø50,5

Type	kg	Reference Number	Price	
P	1,0	70303.2110.01.0002.32	on request	
V	1,0	70317.2110.01.0002.32	on request	
D	1,0	70371.2110.01.0002.32	on request	
LL	1,0	70305.2110.01.0002.32	on request	without bracket



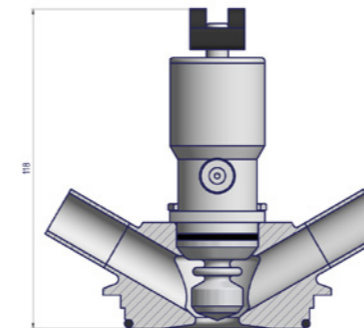
**BioCheck CLASSIC DN 15 DIN**  
for Varivent-Inline body DN 40-125 Type N

Type	kg	Reference Number	Price	
P	1,0	70503.2110.01.0602.32	on request	
V	1,0	70517.2110.01.0602.32	on request	
D	1,0	70571.2110.01.0602.32	on request	
LL	1,0	70505.2110.01.0602.32	on request	without bracket



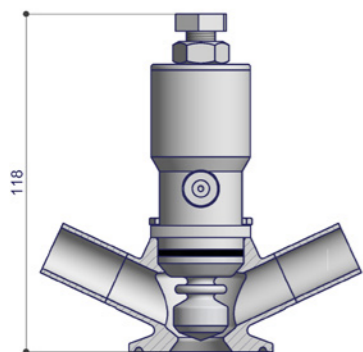
**BioCheck CLASSIC DN 15 DIN**  
for Tri-Clamp-connection DIN 32676 Ø50,5

Type	kg	Reference Number	Price
S	1,0	70301.2110.01.0002.32	on request
O	1,0	70302.2110.01.0002.32	on request
SI	1,0	70325.2110.01.0002.32	on request
OI	1,0	70326.2110.01.0002.32	on request



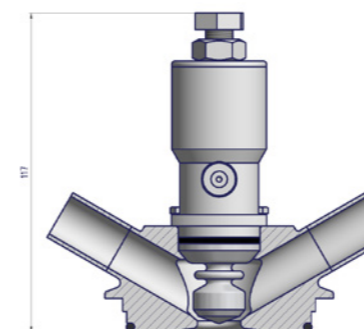
**BioCheck CLASSIC DN 15 DIN**  
for Varivent-Inline body DN 40-125 Type N

Type	kg	Reference Number	Price
S	1,0	70501.2110.01.0602.32	on request
O	1,0	70502.2110.01.0602.32	on request
SI	1,0	70525.2110.01.0602.32	on request
OI	1,0	70526.2110.01.0602.32	on request



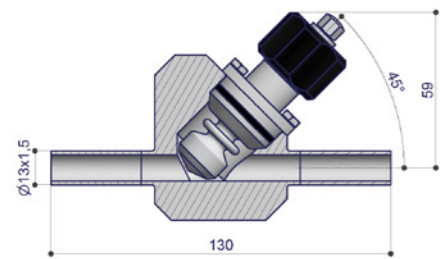
**BioCheck CLASSIC DN 15 DIN**  
for Tri-Clamp-connection DIN 32676 Ø50,5

Type	kg	Reference Number	Price
B	1,0	70319.2110.01.0002.32	on request



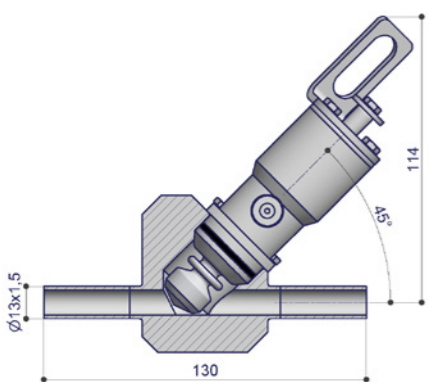
**BioCheck CLASSIC DN 15 DIN**  
for Varivent-Inline body DN 40-125 Type N

Type	kg	Reference Number	Price
B	1,0	70519.2110.01.0602.32	on request



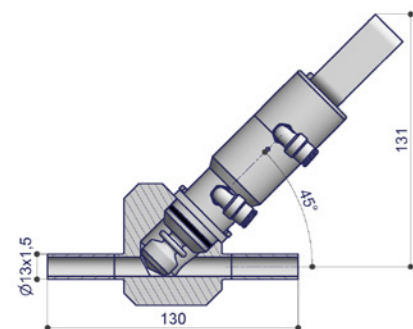
BioCheck inclined seat DN 10

Type	kg	Reference Number	Price
H	1,2	70904.2110.01.0001.32	on request
M	1,3	70944.2110.01.0001.32	on request



BioCheck inclined seat DN 10

Type	kg	Reference Number	Price
P	1,4	70903.2110.01.0001.32	on request



BioCheck inclined seat DN 10

Type	kg	Reference Number	Price
D	1,5	73971.2110.01.0001.32	on request

Type H

Type M

Type B

Type LL



BioCheck CLASSIC DN 15 DIN and Inclined seat DN 10 DIN

Valve inserts

Type	kg	Reference Number	Price
H	0,2	5200233	on request
M	0,3	5223388	on request
B	0,3	5202069-B	on request
LL	0,3	5202069-LL	on request

Type P

Type V

Type D



BioCheck CLASSIC DN 15 DIN and Inclined seat DN 10 DIN

Valve inserts

Type	kg	Reference Number	Price
P	0,3	5202069	on request
V	0,3	5202069-V	on request
D	0,3	5202069-D	on request

Type S

Type O



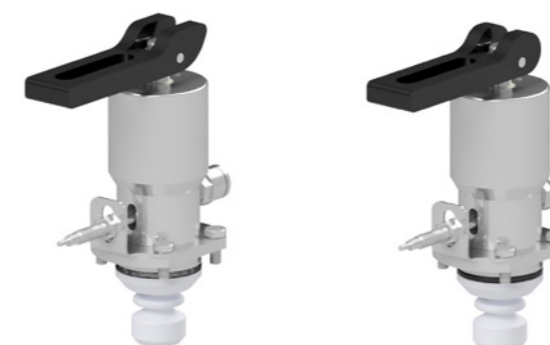
BioCheck CLASSIC DN 15 DIN and Inclined seat DN 10 DIN

Valve inserts

Type	kg	Reference Number	Price
S	0,3	5202232	on request
O	0,3	5202232-O	on request

Type SI

Type OI



BioCheck CLASSIC DN 15 DIN and Inclined seat DN 10 DIN

Valve inserts with bracket for Ini M5 (on site)

Type	kg	Reference Number	Price
SI	0,3	5202232-001	on request
OI	0,3	5202232-O-001	on request

Meaning of abbreviations see page 5.23 

BioCheck MINI DN 6 and 8 DIN

Drive variants

H = Plastic hand wheel



M = Metal hand wheel



P = pneumatic NC with bracket  
Ø5 mm  
(on site)



S = pneumatic NC with  
self-closing lever



O = pneumatic NC with lever  
for open position



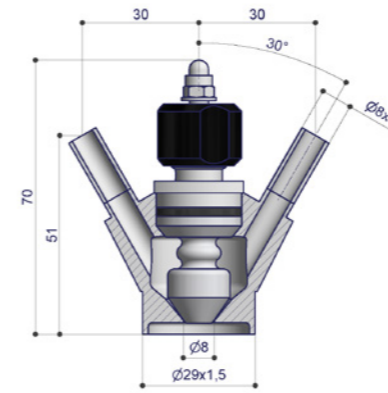
SI = pneumatic NC with  
self-closing lever and bracket  
for prox. Ø5 mm (on site)



OI = pneumatic NC with lever for  
open position and bracket for  
prox. Ø5 mm (on site)



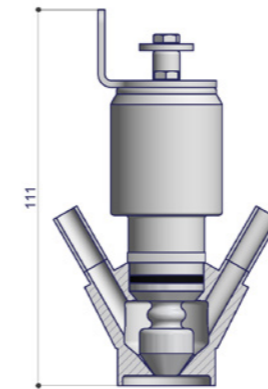
Item number for version with 1 outlet:  
e.g. 702xx.2010.01.0016.32 same price.  
**Not self draining!** Capillary effect.



BioCheck MINI DN 6 DIN

for pipe from DN 25 DIN

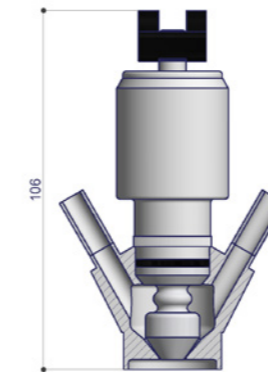
Type	kg	Reference Number	Price
H	0,5	70204.2110.01.0016.32	on request
M	0,6	70244.2110.01.0016.32	on request



BioCheck MINI DN 6 DIN

for pipe from DN 25 DIN

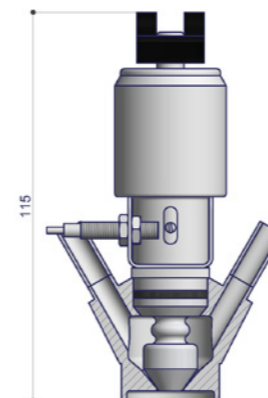
Type	kg	Reference Number	Price
P	0,6	70203.2110.01.0016.32	on request



BioCheck MINI DN 6 DIN

for pipe from DN 25 DIN

Type	kg	Reference Number	Price
S	0,6	70201.2110.01.0016.32	on request
O	0,6	70202.2110.01.0016.32	on request



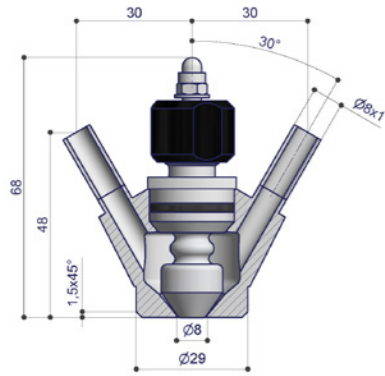
BioCheck MINI DN 6 DIN

for pipe from DN 25 DIN

Type	kg	Reference Number	Price
SI	0,6	70225.2110.01.0016.32	on request
OI	0,6	70226.2110.01.0016.32	on request

For max. 4mm tank wall thickness. Others on request. **i**

Item number for version with 1 outlet: e.g. 701xx.2010.01.0116.32 same price. **i**  
**Not self draining!** Capillary effect.

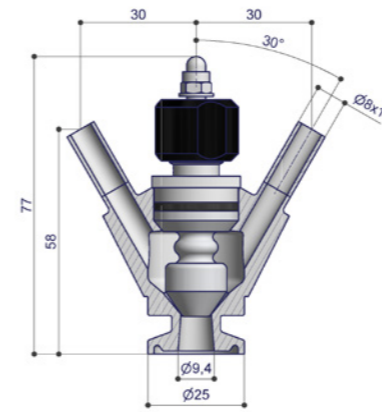


**BioCheck MINI DN 6 DIN**

for tank

Type	kg	Reference Number	Price
H	0,5	70104.2110.01.0016.32	on request
M	0,6	70144.2110.01.0016.32	on request

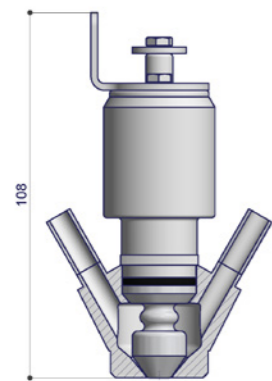
Item number for version with 1 outlet: e.g. 703xx.2010.01.0116.32 same price. **i**  
**Not self draining!** Capillary effect.



**BioCheck MINI DN 6 DIN**

for Tri-Clamp-connection DIN 32676 Ø25 mm

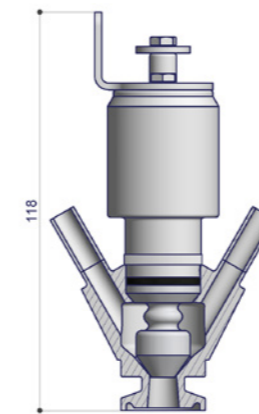
Type	kg	Reference Number	Price
H	0,5	70304.2110.01.0116.32	on request
M	0,6	70344.2110.01.0116.32	on request



**BioCheck MINI DN 6 DIN**

for tank

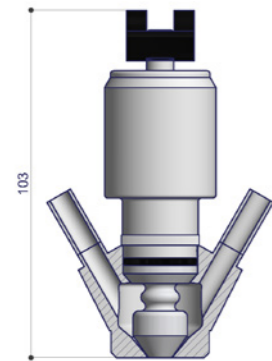
Type	kg	Reference Number	Price
P	0,6	70103.2110.01.0016.32	on request



**BioCheck MINI DN 6 DIN**

for Tri-Clamp-connection DIN 32676 Ø25 mm

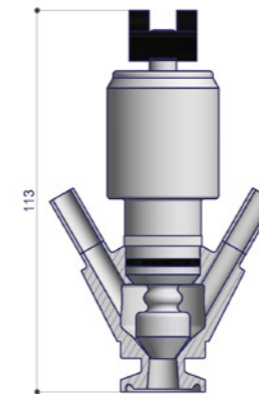
Type	kg	Reference Number	Price
P	0,6	70303.2110.01.0116.32	on request



**BioCheck MINI DN 6 DIN**

for tank

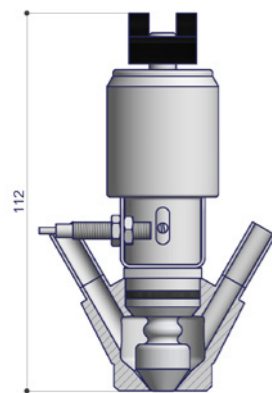
Type	kg	Reference Number	Price
S	0,6	70101.2110.01.0016.32	on request
O	0,6	70102.2110.01.0016.32	on request



**BioCheck MINI DN 6 DIN**

for Tri-Clamp-connection DIN 32676 Ø25 mm

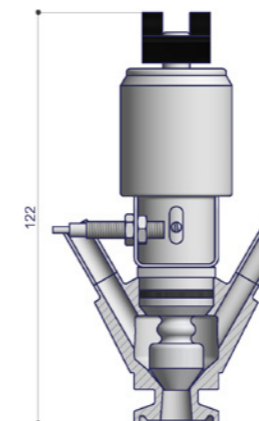
Type	kg	Reference Number	Price
S	0,6	70301.2110.01.0116.32	on request
O	0,6	70302.2110.01.0116.32	on request



**BioCheck MINI DN 6 DIN**

for tank

Type	kg	Reference Number	Price
SI	0,6	70125.2110.01.0016.32	on request
OI	0,6	70126.2110.01.0016.32	on request

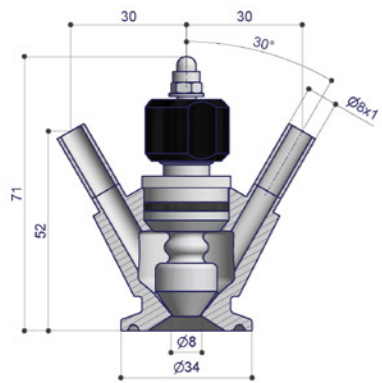


**BioCheck MINI DN 6 DIN**

for Tri-Clamp-connection DIN 32676 Ø25 mm

Type	kg	Reference Number	Price
SI	0,6	70325.2110.01.0116.32	on request
OI	0,6	70326.2110.01.0116.32	on request

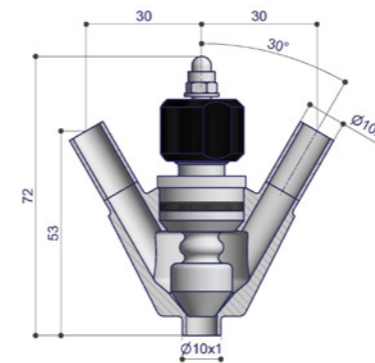
Item number for version with 1 outlet: **i**  
 e.g. 703xx.2010.01.0016.32 same price.  
**Not self draining!** Capillary effect.



**BioCheck MINI DN 6 DIN**  
 for Tri-Clamp-connection DIN 32676 Ø34 mm

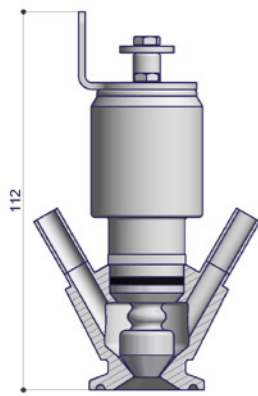
Type	kg	Reference Number	Price
H	0,5	70304.2110.01.0016.32	on request
M	0,6	70344.2110.01.0016.32	on request

Item number for version with 1 outlet: **i**  
 e.g. 702xx.2010.01.0018.32 same price.  
**Not self draining!** Capillary effect.



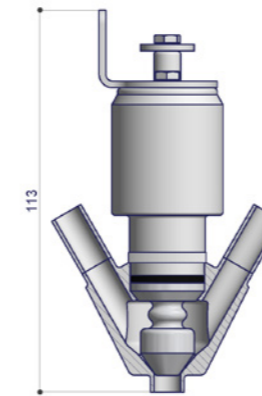
**BioCheck MINI DN 8 DIN**  
 for pipe DN 10 up to DN 20 DIN

Type	kg	Reference Number	Price
H	0,5	70204.2110.01.1018.32	on request
M	0,6	70244.2110.01.1018.32	on request



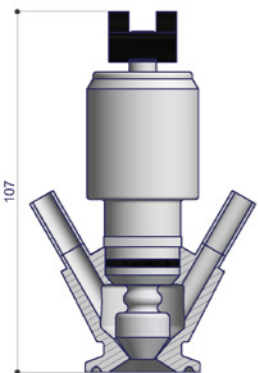
**BioCheck MINI DN 6 DIN**  
 for Tri-Clamp-connection DIN 32676 Ø34 mm

Type	kg	Reference Number	Price
P	0,6	70303.2110.01.0016.32	on request



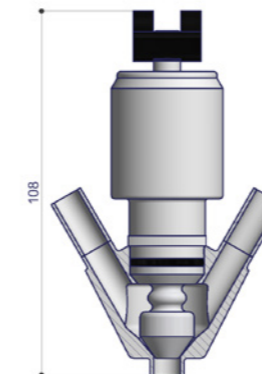
**BioCheck MINI DN 8 DIN**  
 for pipe DN 10 up to DN 20 DIN

Type	kg	Reference Number	Price
P	0,6	70203.2110.01.1018.32	on request



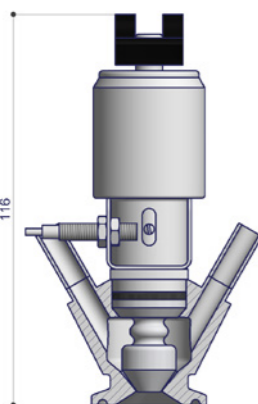
**BioCheck MINI DN 6 DIN**  
 for Tri-Clamp-connection DIN 32676 Ø34 mm

Type	kg	Reference Number	Price
S	0,6	70301.2110.01.0016.32	on request
O	0,6	70302.2110.01.0016.32	on request



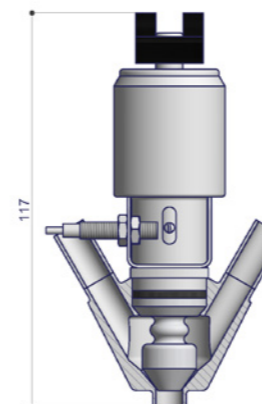
**BioCheck MINI DN 8 DIN**  
 for pipe DN 10 up to DN 20 DIN

Type	kg	Reference Number	Price
S	0,6	70201.2110.01.1018.32	on request
O	0,6	70202.2110.01.1018.32	on request



**BioCheck MINI DN 6 DIN**  
 for Tri-Clamp-connection DIN 32676 Ø34 mm

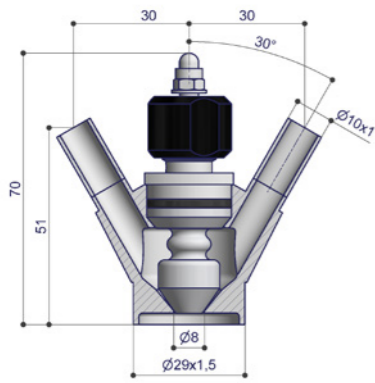
Type	kg	Reference Number	Price
SI	0,6	70325.2110.01.0016.32	on request
OI	0,6	70326.2110.01.0016.32	on request



**BioCheck MINI DN 8 DIN**  
 for pipe DN 10 up to DN 20 DIN

Type	kg	Reference Number	Price
SI	0,6	70225.2110.01.1018.32	on request
OI	0,6	70226.2110.01.1018.32	on request

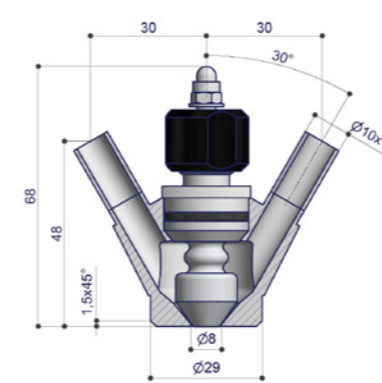
Item number for version with 1 outlet: e.g. 702xx.2010.01.0018.32 same price.  
**Not self draining!** Capillary effect.



**BioCheck MINI DN 8 DIN**  
 for pipe from DN 25 DIN

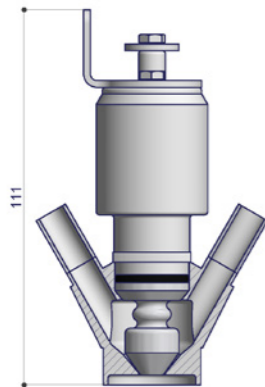
Type	kg	Reference Number	Price
H	0,5	70204.2110.01.0018.32	on request
M	0,6	70244.2110.01.0018.32	on request

For max. 4mm tank wall thickness. Others on request.



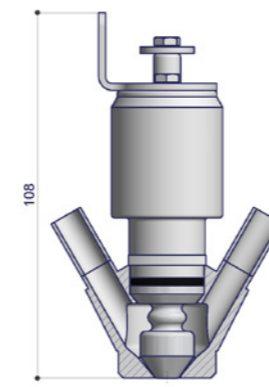
**BioCheck MINI DN 8 DIN**  
 for tank

Type	kg	Reference Number	Price
H	0,5	70104.2110.01.0018.32	on request
M	0,6	70144.2110.01.0018.32	on request



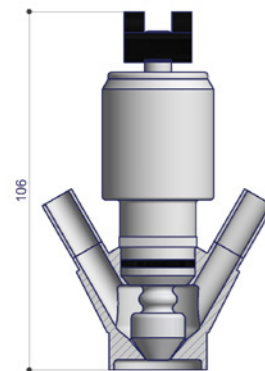
**BioCheck MINI DN 8 DIN**  
 for pipe from DN 25 DIN

Type	kg	Reference Number	Price
P	0,6	70203.2110.01.0018.32	on request



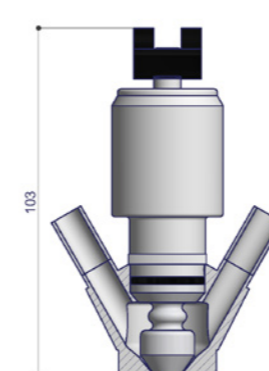
**BioCheck MINI DN 8 DIN**  
 for tank

Type	kg	Reference Number	Price
P	0,6	70103.2110.01.0018.32	on request



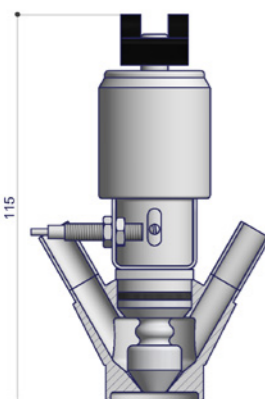
**BioCheck MINI DN 8 DIN**  
 for pipe from DN 25 DIN

Type	kg	Reference Number	Price
S	0,6	70201.2110.01.0018.32	on request
O	0,6	70202.2110.01.0018.32	on request



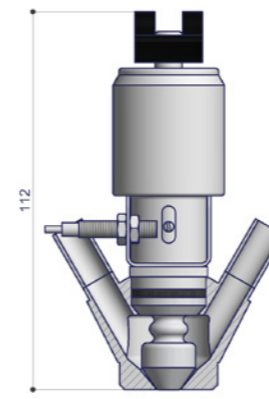
**BioCheck MINI DN 8 DIN**  
 for tank

Type	kg	Reference Number	Price
S	0,6	70101.2110.01.0018.32	on request
O	0,6	70102.2110.01.0018.32	on request



**BioCheck MINI DN 8 DIN**  
 for pipe from DN 25 DIN

Type	kg	Reference Number	Price
SI	0,6	70225.2110.01.0018.32	on request
OI	0,6	70226.2110.01.0018.32	on request

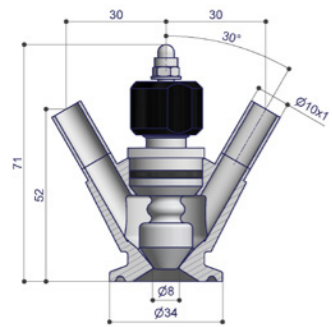


**BioCheck MINI DN 8 DIN**  
 for tank

Type	kg	Reference Number	Price
SI	0,6	70125.2110.01.0018.32	on request
OI	0,6	70126.2110.01.0018.32	on request



Item number for version with 1 outlet:  
e.g. 703xx.2010.01.0018.32 same price.  
**Not self draining!** Capillary effect.



**BioCheck MINI DN 8 DIN**

for Tri-Clamp-connection DIN 32676 Ø34 mm

Type	kg	Reference Number	Price
H	0,5	70304.2110.01.0018.32	on request
M	0,6	70344.2110.01.0018.32	on request

Type H



Type M



**BioCheck MINI DN 6 and 8 DIN**

Valve inserts

Type	kg	Reference Number	Price
H	0,2	5200038	on request
M	0,3	5201038	on request

Type P



**BioCheck MINI DN 6 and 8 DIN**

Valve inserts  
with bracket for Ini M5 (on site)

Type	kg	Reference Number	Price
P	0,3	5220832	on request

Type S



Type O



**BioCheck MINI DN 6 and 8 DIN**

Valve inserts

Type	kg	Reference Number	Price
S	0,3	5200832	on request
O	0,3	5200832-O	on request

Type SI



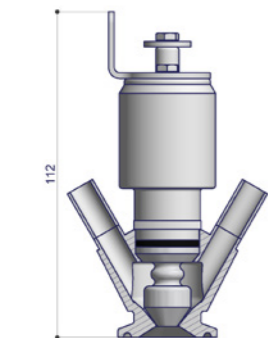
Type OI



**BioCheck MINI DN 6 and 8 DIN**

Valve inserts  
with bracket for Ini M5 (on site)

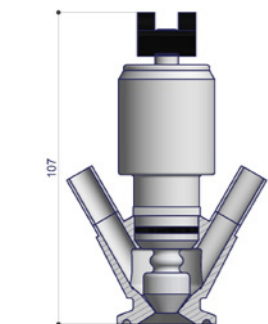
Type	kg	Reference Number	Price
SI	0,3	5200832-001	on request
OI	0,3	5200832-O-001	on request



**BioCheck MINI DN 8 DIN**

for Tri-Clamp-connection DIN 32676 Ø34 mm

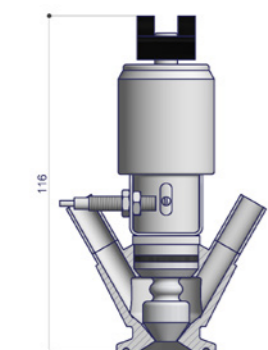
Type	kg	Reference Number	Price
P	0,6	70303.2110.01.0018.32	on request



**BioCheck MINI DN 8 DIN**

for Tri-Clamp-connection DIN 32676 Ø34 mm

Type	kg	Reference Number	Price
S	0,6	70301.2110.01.0018.32	on request
O	0,6	70302.2110.01.0018.32	on request



**BioCheck MINI DN 8 DIN**

for Tri-Clamp-connection DIN 32676 Ø34 mm

Type	kg	Reference Number	Price
SI	0,6	70325.2110.01.0018.32	on request
OI	0,6	70326.2110.01.0018.32	on request

Meaning of abbreviations see page 5.33



The **BioCheck COMPACT** is applied in the same areas like the model CLASSIC. This means, it is the ideal sampling valve for liquid products in pharmaceutical, biochemical, cosmetic, food and beverage industries.

The development of the proven BioCheck valve is characterized by many advantages. With the help of the hexagonal contour, the drive can be easily detached from the housing. The notches in the housing allow for use in connect flanges. A lockable hand wheel is available.

With 3-A certificate. Certificate see: [www.rr-rieger.com/downloads](http://www.rr-rieger.com/downloads)

**CONSTRUCTION OF THE VALVE**

- / massive valve housing
- / no dead spaces
- / completely draining
- / connections suitable for orbital welding
- / also available with only 1 port - same price -

**ABSOLUTE PRODUCT SAFETY**

- / perfect isolation from the environment

**SERVICEABILITY**

- / seal replacement without special tools
- / low downtime
- / perfectly cleanable

**EFFICIENCY**

- / long lifetime of PTFE bellows
- / minimal maintenance costs

**MATERIAL**

- / in contact with product 1.4404/AISI 316L
- / optional 1.4435/AISI 316L
- / not in contact with product 1.4301/AISI 304
- / all Valves are available in special alloys, such as Hastelloy® C-22, 1.4539/904L, 1.4529, AL-6XN® and others.

**GASKETS**

- / PTFE bellows
- / PTFE

**TEMPERATURES**

- / maximum continuous operation until 121°C\*
- / steam sterilization max. 135°C\* short-time approx. 20 min

**PRESSURE**

- / closing pressure 6 bar standard, 10 bar and higher pressures available upon request
- / air pressure min. 6 bar / max. 10 bar

**SURFACES**

- / in contact with product Ra ≤ 0,8 µm (32 µin) mechanically polished
- / not in contact with product Ra ≤ 1,6 µm (63 µin) mechanically polished
- / higher quality surface finishes and e-polishing available upon request

\* dependent upon operating conditions

**BioCheck COMPACT DN 10 DIN**

Drive variants



H = Plastic hand wheel



L = lockable

under utility model protection G56101DE



P = pneumatic NC with bracket for prox Ø12 mm (prox. not in scope of delivery)



PH = pneumatic air to open-spring to close with hand wheel

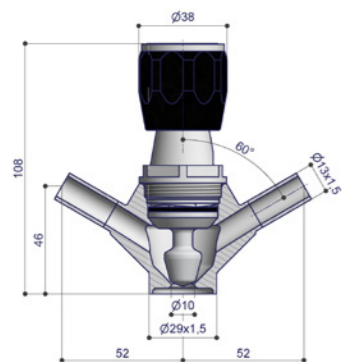


S = pneumatic NC with self-closing lever



O = pneumatic NC with lever for open position

Item number for version with 1 outlet: e.g. 802xx.2010.01.0001.32.301 same price. i



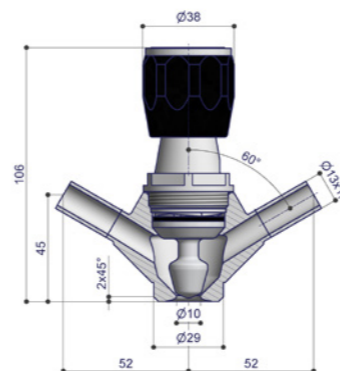
**BioCheck COMPACT DN 10 DIN**

for pipe from DN 25 DIN

Type	kg	Reference Number	Price
H	0,7	80204.2110.01.0001.32.301	on request
L	0,7	80245.2110.01.0001.32.301	on request

Item number for version with 1 outlet: e.g. 801xx.2010.01.0001.32.301 same price. i

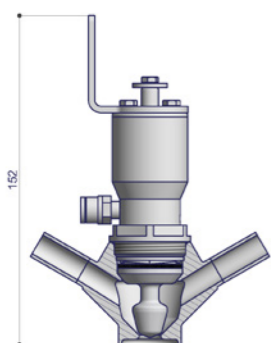
For max. 4mm tank wall thickness. Others on request. i



**BioCheck COMPACT DN 10 DIN**

for tank

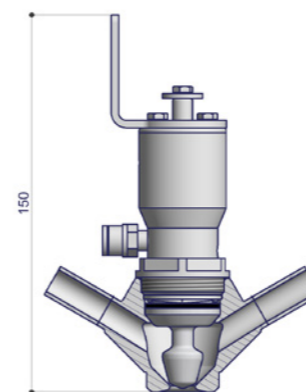
Type	kg	Reference Number	Price
H	0,7	80104.2110.01.0001.32.301	on request
L	0,7	80145.2110.01.0001.32.301	on request



**BioCheck COMPACT DN 10 DIN**

for pipe from DN 25 DIN

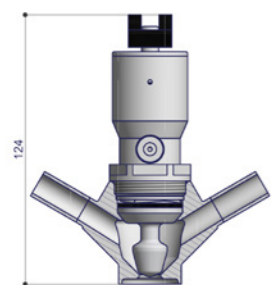
Type	kg	Reference Number	Price
P	1,0	80203.2110.01.0001.32.301	on request



**BioCheck COMPACT DN 10 DIN**

for tank

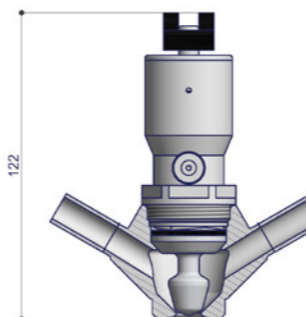
Type	kg	Reference Number	Price
P	1,0	80103.2110.01.0001.32.301	on request



**BioCheck COMPACT DN 10 DIN**

for pipe from DN 25 DIN

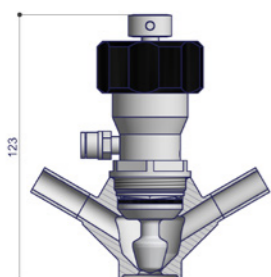
Type	kg	Reference Number	Price
S	1,0	80201.2110.01.0001.32.301	on request
O	1,0	80202.2110.01.0001.32.301	on request



**BioCheck COMPACT DN 10 DIN**

for tank

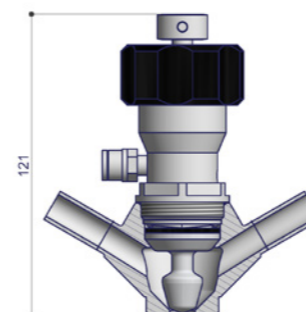
Type	kg	Reference Number	Price
S	1,0	80101.2110.01.0001.32.301	on request
O	1,0	80102.2110.01.0001.32.301	on request



**BioCheck COMPACT DN 10 DIN**

for pipe from DN 25 DIN

Type	kg	Reference Number	Price
PH	1,0	80235.2110.01.0001.32.301	on request

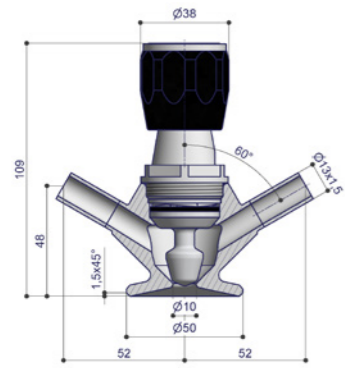


**BioCheck COMPACT DN 10 DIN**

for tank

Type	kg	Reference Number	Price
PH	1,0	80135.2110.01.0001.32.301	on request

Item number for version with 1 outlet: e.g. 861xx.2010.01.0001.32.301 same price. **i**

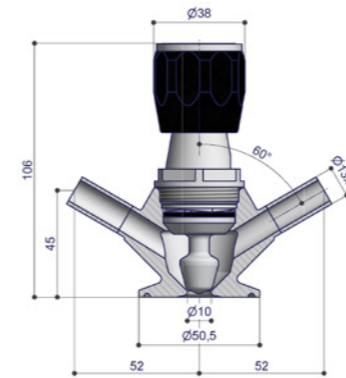


**BioCheck COMPACT DN 10 DIN**

with drilled weld-in flange – for tank

Type	kg	Reference Number	Price
H	0,7	86104.2110.01.0001.32.301	on request
L	0,7	86145.2110.01.0001.32.301	on request

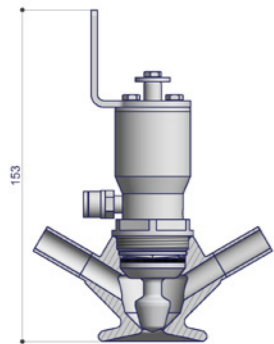
Item number for version with 1 outlet: e.g. 803xx.2010.01.0001.32.301 same price. **i**



**BioCheck COMPACT DN 10 DIN**

for Tri-Clamp-connection DIN 32676 Ø50,5 and AWH-Connect flange

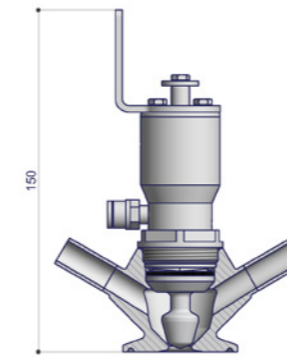
Type	kg	Reference Number	Price
H	0,7	80304.2110.01.0001.32.301	on request
L	0,7	80345.2110.01.0001.32.301	on request



**BioCheck COMPACT DN 10 DIN**

with drilled weld-in flange – for tank

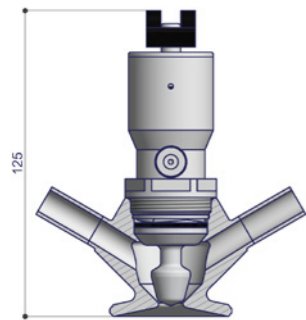
Type	kg	Reference Number	Price
P	1,0	86103.2110.01.0001.32.301	on request



**BioCheck COMPACT DN 10 DIN**

for Tri-Clamp-connection DIN 32676 Ø50,5 and AWH-Connect flange

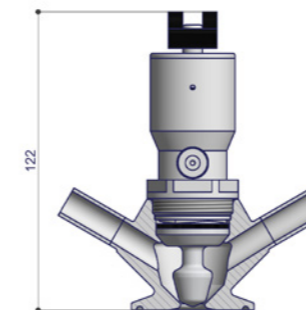
Type	kg	Reference Number	Price
P	1,0	80303.2110.01.0001.32.301	on request



**BioCheck COMPACT DN 10 DIN**

with drilled weld-in flange – for tank

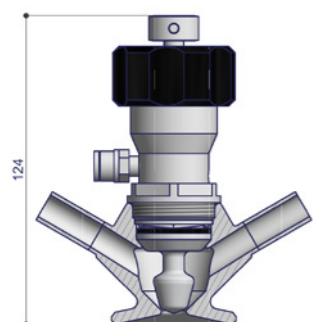
Type	kg	Reference Number	Price
S	1,0	86101.2110.01.0001.32.301	on request
O	1,0	86102.2110.01.0001.32.301	on request



**BioCheck COMPACT DN 10 DIN**

for Tri-Clamp-connection DIN 32676 Ø50,5 and AWH-Connect flange

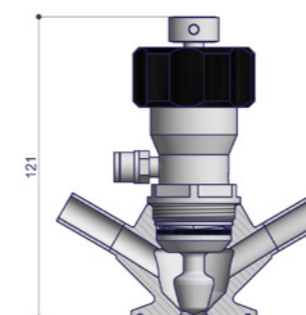
Type	kg	Reference Number	Price
S	1,0	80301.2110.01.0001.32.301	on request
O	1,0	80302.2110.01.0001.32.301	on request



**BioCheck COMPACT DN 10 DIN**

with drilled weld-in flange – for tank

Type	kg	Reference Number	Price
PH	1,0	86135.2110.01.0001.32.301	on request

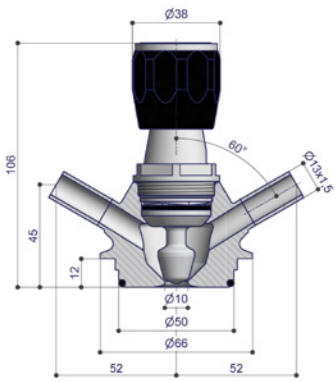


**BioCheck COMPACT DN 10 DIN**

for Tri-Clamp-connection DIN 32676 Ø50,5 and AWH-Connect flange

Type	kg	Reference Number	Price
PH	1,0	80335.2110.01.0001.32.301	on request

Item number for version with 1 outlet: e.g. 805xx.2010.01.0401.32.301 same price.



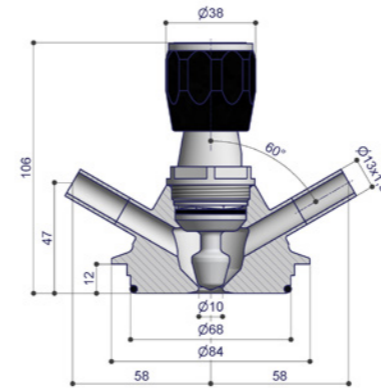
**BioCheck COMPACT DN 10 DIN**

for Varivent-Inline body DN 25 Type F

Type	kg	Reference Number	Price
H	0,9	80504.2110.01.0401.32.301	on request
L	1,0	80545.2110.01.0401.32.301	on request

/ including O ring 43 x 3 EPDM  
Reference Number 1001437

Item number for version with 1 outlet: e.g. 805xx.2010.01.0601.32.301 same price.

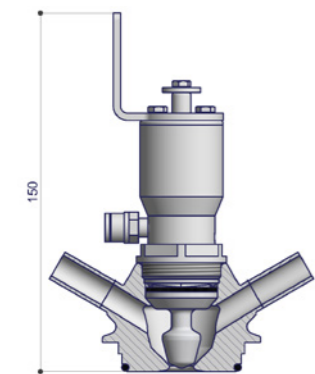


**BioCheck COMPACT DN 10 DIN**

for Varivent-Inline body DN 40-125 Type N

Type	kg	Reference Number	Price
H	1,2	80504.2110.01.0601.32.301	on request
L	1,3	80545.2110.01.0601.32.301	on request

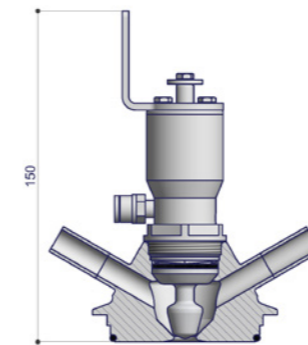
/ including O ring 62 x 3 EPDM  
Reference Number 1000759



**BioCheck COMPACT DN 10 DIN**

for Varivent-Inline body DN 25 Type P

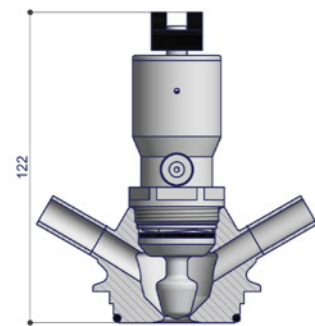
Type	kg	Reference Number	Price
P	1,1	80503.2110.01.0401.32.301	on request



**BioCheck COMPACT DN 10 DIN**

for Varivent-Inline body DN 40-125 Type P

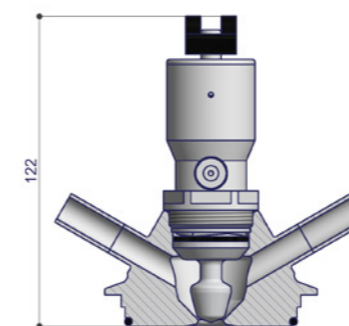
Type	kg	Reference Number	Price
P	1,4	80503.2110.01.0601.32.301	on request



**BioCheck COMPACT DN 10 DIN**

for Varivent-Inline body DN 25 Type S

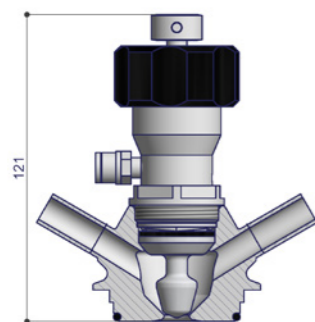
Type	kg	Reference Number	Price
S	1,1	80501.2110.01.0401.32.301	on request
O	1,1	80502.2110.01.0401.32.301	on request



**BioCheck COMPACT DN 10 DIN**

for Varivent-Inline body DN 40-125 Type S

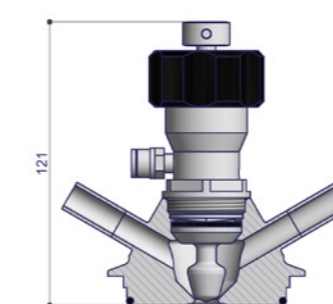
Type	kg	Reference Number	Price
S	1,4	80501.2110.01.0601.32.301	on request
O	1,4	80502.2110.01.0601.32.301	on request



**BioCheck COMPACT DN 10 DIN**

for Varivent-Inline body DN 25 Type PH

Type	kg	Reference Number	Price
PH	1,1	80535.2110.01.0401.32.301	on request



**BioCheck COMPACT DN 10 DIN**

for Varivent-Inline body DN 40-125 Type PH

Type	kg	Reference Number	Price
PH	1,4	80535.2110.01.0601.32.301	on request

Type H



**BioCheck COMPACT DN 10 DIN**

Valve inserts

Type	kg	Reference Number	Price
H	0,2	5200125	on request

Type L



**BioCheck COMPACT DN 10 DIN**

Valve inserts

Type	kg	Reference Number	Price
L	0,3	5200125-L	on request

Type P



Type PH



**BioCheck COMPACT DN 10 DIN**

Valve inserts

Type	kg	Reference Number	Price
P	0,3	5210125	on request
PH	0,3	5210035	on request

Type S




Type O



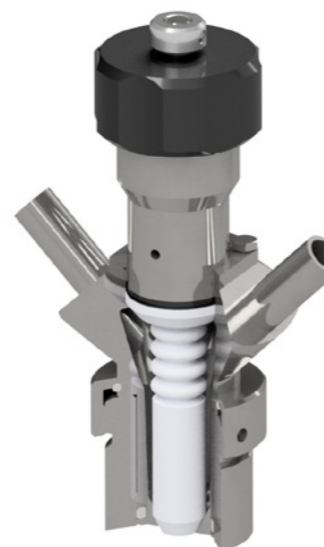
**BioCheck COMPACT DN 10 DIN**

Valve inserts

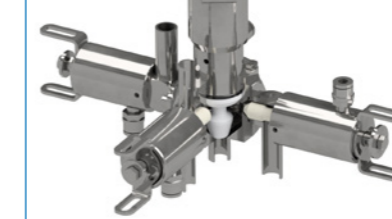
Type	kg	Reference Number	Price
S	0,3	5211125	on request
O	0,3	5211125-O	on request

Meaning of abbreviations see page 5.42 

Type INGOLD



Type COMBI



The **BioCheck valve type INGOLD** is used especially in the pharmaceutical industry. This means, that it is the ideal sampling valve for liquid products in the pharmaceutical and biochemical industries. The Ingold nozzle, installed in tanks, is very common in the pharmaceutical industry and is applied for changing applications like temperature sensors and samplings.

The **BioCheck valve type COMBI** is a combination of sampling and CIP/SIP valve. By the dead leg free connection of the CIP/SIP valve, which is used for hot water or steam sterilization, a contamination of the steam pipe is avoided.

**CONSTRUCTION OF THE VALVE**

- / massive valve housing
- / no dead spaces
- / completely draining
- / connections suitable for orbital welding

**SERVICEABILITY**

- / seal replacement without special tools
- / low downtime
- / perfectly cleanable

**EFFICIENCY**

- / long lifetime of PTFE bellows
- / minimal maintenance costs

**ABSOLUTE PRODUCT SAFETY**

- / perfect isolation from the environment

**MATERIAL**

- / in contact with product 1.4404/AISI 316L
- / optional 1.4435/AISI 316L
- / not in contact with product 1.4301/AISI 304
- / all Valves are available in special alloys, such as Hastelloy® C-22, 1.4539/904L, 1.4529, AL-6XN® and others.

**GASKETS**

- / bellows PTFE
- / CIP steam PEEK in type Combi

**TEMPERATURES**

- / maximum continuous operation until 121°C\*
- / steam sterilization max. 135°C\* short-time approx. 20 min

**PRESSURE**

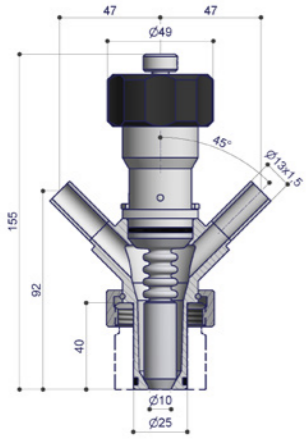
- / closing pressure 6 bar standard, 10 bar and higher pressures available upon request
- / air pressure min. 6 bar / max. 10 bar

**SURFACES**

- / in contact with product Ra ≤ 0,8 µm (32 µin) mechanically polished
- / not in contact with product Ra ≤ 1,6 µm (63 µin) mechanically polished
- / higher quality surface finishes and e-polishing available upon request

\* dependent upon operating conditions

Item number for version with 1 outlet: e.g. 707xx.2010.01.0501.32 same price.

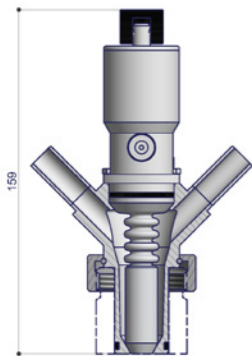


**BioCheck INGOLD DN 10 DIN**

for Ingold nozzle length 40 mm (30 mm and 46 mm on request)

Type	kg	Reference Number	Price
H	1,5	70704.2110.01.0501.32	on request

/ including O ring 19 x 3 EPDM Reference Number 1000102  
/ Ingold nozzle as accessory available separately.

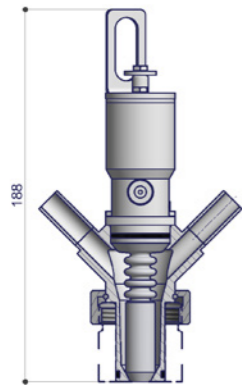


**BioCheck INGOLD DN 10 DIN**

for Ingold nozzle length 40 mm (30 mm and 46 mm on request)

Type	kg	Reference Number	Price
S	1,1	70701.2110.01.0501.32	on request

/ including O ring 19 x 3 EPDM Reference Number 1000102  
/ Ingold nozzle as accessory available separately.

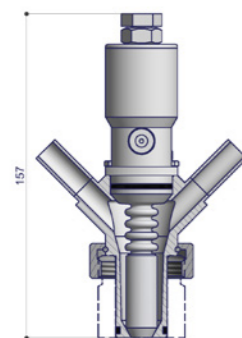


**BioCheck INGOLD DN 10 DIN**

for Ingold nozzle length 40 mm (30 mm and 46 mm on request)

Type	kg	Reference Number	Price
P	1,1	70703.2110.01.0501.32	on request

/ including O ring 19 x 3 EPDM Reference Number 1000102  
/ Ingold nozzle as accessory available separately.



**BioCheck INGOLD DN 10 DIN**

for Ingold nozzle length 40 mm (30 mm and 46 mm on request)

Type	kg	Reference Number	Price
B	1,1	70719.2110.01.0501.32	on request

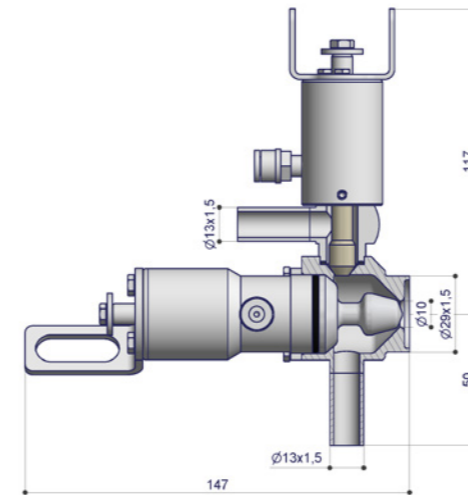
/ including O ring 19 x 3 EPDM Reference Number 1000102  
/ Ingold nozzle as accessory available separately.

**BioCheck COMBI DN 10 DIN for Rohrleitung**

air to open-spring to close NC PN 6 – with 1 CIP valve NC

Type	kg	Reference Number	Price
S	1,2	72201.2110.01.0001.32	on request

/ with lever on sampling valve NC  
/ with 1 bracket on CIP valve NC Ø5 mm



**BioCheck COMBI DN 10 DIN**

air to open-spring to close NC PN 6 – with 1 CIP valve NC

Type	kg	Reference Number	Price
P	1,2	72203.2110.01.0001.32	on request

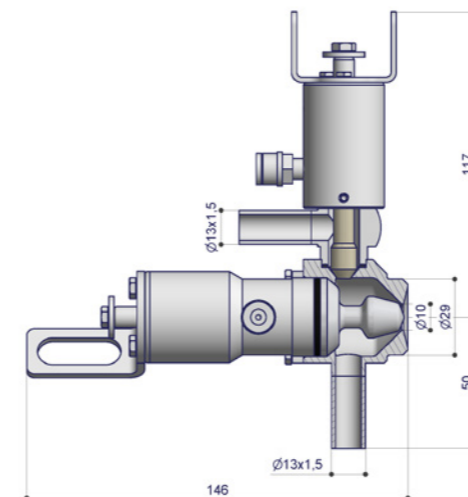
/ without lever on sampling valve NC  
/ with 2 brackets for proximity switches on:  
sampling valve NC NC Ø12 mm and CIP valve NC NC Ø5 mm  
/ proximity switches not in scope of delivery

**BioCheck COMBI DN 10 DIN for tank**

air to open-spring to close NC PN 6 – with 1 CIP valve NC

Type	kg	Reference Number	Price
S	1,2	72301.2110.01.0001.32	on request

/ with lever on sampling valve NC  
/ with 1 bracket on CIP valve NC Ø5 mm  
/ for max. 4 mm tank wall thickness



**BioCheck COMBI DN 10 DIN**

air to open-spring to close NC PN 6 – with 1 CIP valve NC

Type	kg	Reference Number	Price
P	1,2	72303.2110.01.0001.32	on request

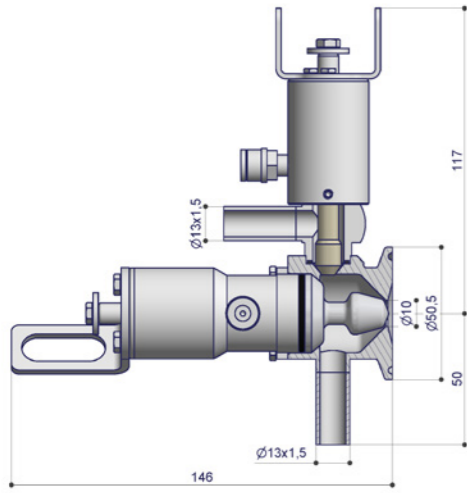
/ without lever on sampling valve NC  
/ with 2 brackets for proximity switches on:  
sampling valve NC Ø12 mm and CIP valve NC Ø5 mm  
/ proximity switches not in scope of delivery

**BioCheck COMBI DN 10 DIN**

air to open-spring to close NC PN 6 – with 1 CIP valve NC

Type	kg	Reference Number	Price
S	1,3	72401.2110.01.0001.32	on request

/ for clamp connection Ø 50,5 mm  
/ with lever on sampling valve NC  
/ with 1 bracket on CIP valve NC



**BioCheck COMBI DN 10 DIN**

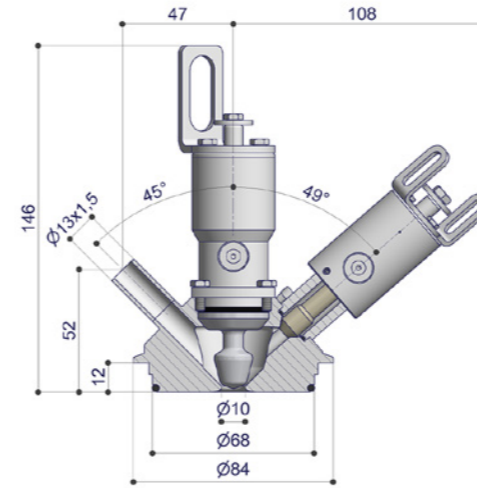
air to open-spring to close NC PN 6 – with 1 CIP valve NC

Type	kg	Reference Number	Price
P	1,3	72403.2110.01.0001.32	on request

/ without lever on sampling valve NC  
/ with 2 brackets for proximity switches on:  
sampling valve NC Ø12 mm and  
CIP valve NC Ø5 mm  
/ proximity switches not in scope of delivery

**BioCheck COMBI DN 10 DIN**

air to open-spring to close NC PN 6 – with 1 CIP valve NC



Type	kg	Reference Number	Price
P	1,5	77157.2110.01.0601.32	on request

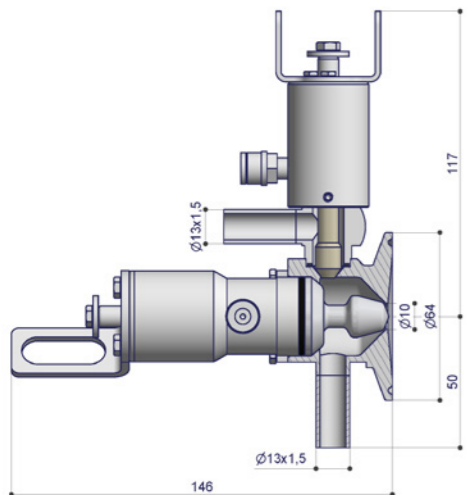
/ for Varivent connection Type N  
/ without lever on sampling valve NC  
/ with 2 brackets for initiators on:  
sampling valve NC Ø12 mm and  
CIP valve NC Ø5 mm  
/ proximity switches not in scope of delivery

**BioCheck COMBI DN 10 DIN**

air to open-spring to close NC PN 6 – with 1 CIP valve NC

Type	kg	Reference Number	Price
S	1,3	72801.2110.01.0001.32	on request

/ for clamp connection Ø64 mm  
/ with lever on sampling valve NC  
/ with 1 bracket on CIP valve NC



**BioCheck COMBI DN 10 DIN**

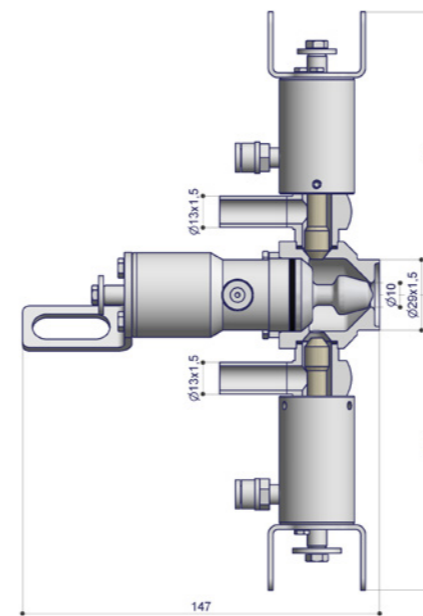
air to open-spring to close NC PN 6 – with 1 CIP valve NC

Type	kg	Reference Number	Price
P	1,3	72803.2110.01.0001.32	on request

/ without lever on sampling valve NC  
/ with 2 brackets for proximity switches on:  
sampling valve NC Ø12 mm and  
CIP valve NC Ø5 mm  
/ proximity switches not in scope of delivery

**BioCheck COMBI DN 10 DIN**

air to open-spring to close NC PN 6 – with 2 CIP valves: 1 x NO, 1 x NC



Type	kg	Reference Number	Price
P	1,5	73203.2110.01.0001.32	on request

/ for dosing into piping  
(sampling body without outlet)  
  
with brackets for:  
/ proximity switch Ø12 mm on  
main valve NC  
/ proximity switch Ø5 mm on  
CIP valves NC resp. NO  
/ proximity switches not in scope of delivery

**Accessories**

for BioCheck COMBI DN 10 DIN

	Reference Number	Price	
Gasket kit for sampling valve	5001838	on request	
CIP valve NC with bracket for proximity switch Ø12 mm	5271301	on request	
Insert for CIP valve NC	5206078	on request	with bracket for proximity switch Ø12 mm
Insert for CIP valve NC	5206079	on request	with self-closing lever
Insert for CIP valve NC	5206080	on request	with bracket for proximity switch Ø5 mm
Insert for CIP valve NO	5206077	on request	with bracket for proximity switch Ø5 mm
with bracket for proximity switch Ø12	5006047	on request	
Adaption for isolated tanks	5007138	on request	consisting of 45°elbows and pipe extension to 200 mm on both ports





Scan QR Code and watch the video of the sampling procedure.

The **BioCheck system „sampling into bottle“** can be used in the same applications like the other Types. This means, it is the ideal sampling system for liquid products in the pharmaceutical, biochemical, cosmetic, food and beverage industries. Samples can be taken from pipelines without contamination and examined in the laboratory with the help of this system.

**ABSOLUTE PRODUCT SAFETY**

- / hermetically sealed against environment – easy and thorough cleaning
- / complete system sterilisable in autoclave

**EFFICIENCY**

- / long life of the PTFE-bellows
- / low spare part costs

**DESIGN**

- / valve body made from solid bar
- / dead space free
- / completely drainable
- / ports suitable for orbital welding

**SERVICEABLE MAINTENANCE**

- / change of seals without special tools
- / less standing times

**MATERIAL**

- / in contact with product 1.4404/AISI 316L
- / optional 1.4435/AISI 316L
- / not in contact with product 1.4301/AISI 304
- / all Valves are available in special alloys, such as Hastelloy® C-22, 1.4539/904L, 1.4529, AL-6XN® and others.

**GASKETS**

- / PTFE bellows / PTFE

**TEMPERATURES**

- / maximum continuous operation 121°C\*
- / steam sterilization 135°C\* short-time (approx. 20 min)

**PRESSURE**

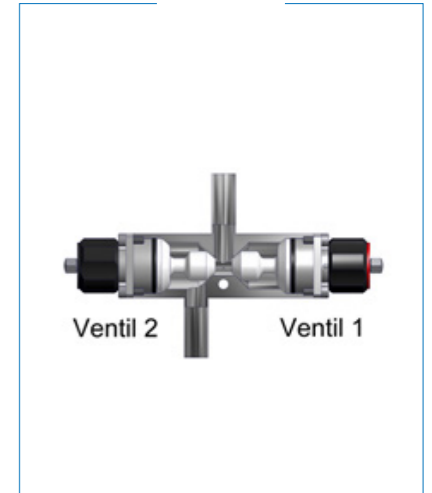
- / closing pressure 6 bar Standard, 10 bar, higher pressures available upon request
- / air pressure min. 6 bar / max. 10 bar

**SURFACES**

- / in contact with product Ra ≤ 0,8 µm (32 µin) mechanically polished
- / not in contact with product Ra ≤ 1,6 µm (63 µin) mechanically polished
- / higher quality surface finishes and e-polishing available upon request

\* dependent upon operating conditions

**Sampling into bottle PB5**  
manually operated, with filter



**Sterile sampling into bottle**

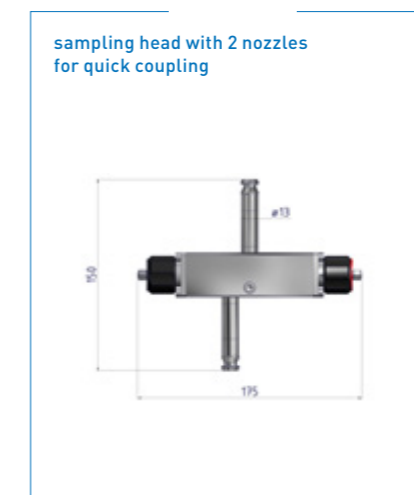
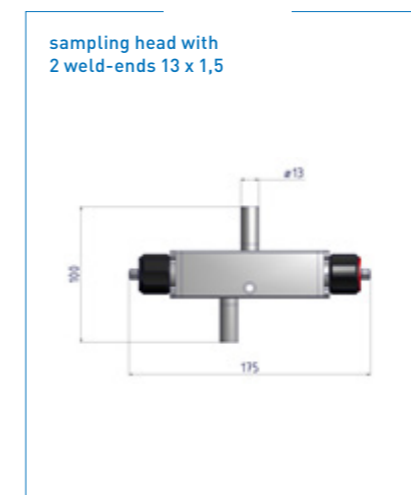
- / Utilizes standard laboratory bottles
- / Connection thread GL45 ISO
- / For 100 ml to 2,000 ml samples
- / No air contamination
- / Fully aseptic system
- / with connection thread for air filter NPT 1/8"
- / weight approx. 1,4 kg (without bottle and contents)

**Steps of sampling procedure**

- open valve 2
- sterilize or rinse
- close valve 2
- open valve 1
- = sample flows into bottle
- Dismantling from pipe:
- close valve 1
- dismantle head from bypass

Type	Reference Number	Price	Version
SS	75040.2110.05.1101.32	on request	2 weld-ends 13 x 1,5
TT	75040.2660.05.1101.32	on request	2 nozzles for quick coupling
CC	75040.2440.05.1101.32	on request	2 clamp ferrules DN 10 DIN 32676 Ø 34

/ with 250 ml bottle, without filter



**Accessories**

for sampling into bottle PB5.02

Material	Reference Number	Price	
POM	5004692	on request	connection piece for bottle
PTFE	3000057	on request	Filter Ø25, 0,2 µm pores
PTFE/Silicone	5002117	on request	Gasket kit product side



DURAN® ist eine eingetragene Marke von DWK Life Sciences

**DURAN® Original Laboratory Bottle, clear**

with DIN 168-1 thread, graduated, for sampling into bottle PB5.02

Material	Reference Number	Price	Capacity
Glas	3001397	on request	Duran-Laboratory bottle 100 ml
Glas	3000878	on request	Duran-Laboratory bottle 250 ml
Glas	3002278	on request	Duran-Laboratory bottle 500 ml
Glas	3001783	on request	Duran-Laboratory bottle 1000 ml
Glas	3001782	on request	Duran-Laboratory bottle 2000 ml

fully autoclavable at 121°C or 134 °C

**Sampling bottle plastic**

for sampling into bottle PB5.02

Material	Reference Number	Price	Capacity
PP	3000878-01	on request	Vitlab-Laboratory bottle 250 ml
PP	3002278-01	on request	Vitlab-Laboratory bottle 500 ml
PP	3001783-01	on request	Vitlab-Laboratory bottle 1000 ml
PP	3001782-01	on request	Vitlab-Laboratory bottle 2000 ml

fully autoclavable at 121°C according to DIN EN285

Check chemical resistance before use.  
Use at your own risk!  
Temperature max. (short): 140°C; Temperature max. (long): 100°C;



DN 6 and 8



DN 10



**Gasket kits product side for  
MINI DN 6 and 8 and CLASSIC DN 10**

DN	kg	Reference Number	Price
6 and 8	0,02	5005480	on request
10	0,02	5001838	on request

**Gasket kits product side for  
CLASSIC DN 15 and Inclined seat DN 10**

DN	kg	Reference Number	Price
15	0,02	5002458	on request

**Gasket kits product side for  
CLASSIC Varivent connection**

DN	kg	Reference Number	Price
25	0,02	5001838-05	on request
40-125	0,02	5001838-10	on request

**Gasket kits product side for  
CLASSIC BioControl connection**

DN	kg	Reference Number	Price
25	0,02	5001838-06	on request
50	0,02	5001838-07	on request

**Gasket kits product side for  
COMPACT**

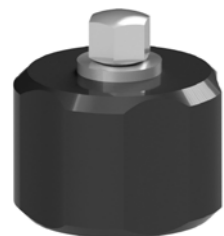
DN	kg	Reference Number	Price
10	0,03	5008838	on request

**Gasket kits product side for  
INGOLD**

DN	kg	Reference Number	Price
10	0,03	5005111	on request

O ring Silicone not in contact with product

POM



stainless steel



### Hand wheel

for CLASSIC, MINI, COMPACT

DN	kg	Reference Number	Price
POM			
6 and 8	0,01	5009685	on request
10 and 15	0,01	5006931	on request
Edelstahl			
10 and 15	0,02	5003388	on request
with washer and nut			

### BioCap protecting cover set for nozzle

for CLASSIC, MINI, COMPACT



DN	kg	Reference Number	Price
DN 10	0,04	5002825	on request
DN 6	0,04	3000822	on request
DN 8	0,04	3002659	on request
DN 10	0,04	3000853	on request

Set of:  
2 rubber caps, hook, chain each

/ single caps made of rubber

self-closing



for open position



### Lever with fixation pin

for CLASSIC, MINI, COMPACT

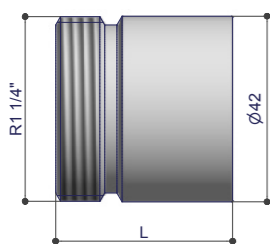
DN	kg	Reference Number	Price
self-closing			
PA6	0,01	5005625	on request
for open position			
PA6	0,01	5005631	on request

### Quick coupling, assembled

for nozzle DN 10, EPDM



Content	kg	Reference Number	Price
1 Coupling, 1 m Tube	0,3	30696-5001994	on request
1 Coupling, 2 m Tube	0,3	30696-5001993	on request
2 Couplingen, 1 m Tube	0,4	30696-5001989	on request
2 Couplingen, 2 m Tube	0,4	30696-5001990	on request



### Ingold nozzle

for CLASSIC

DN	kg	Reference Number	Price
1.4404	0,3	5000165	on request
L = 40 mm			

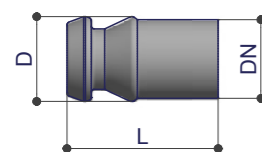
### Quick coupling

for nozzle DN 10



DN/Material	kg	Reference Number	Price
1.4305	0,2	3000616 EPDM	on request
1.4305	0,2	3003616 FKM	on request

/ length: approx. 150 mm  
(stretchable due to spiral spring)  
/ for hoses with inner dm 11 mm/  
outer dm 12,5 mm  
/ not discountable



### Nozzle for quick coupling

for CLASSIC, MINI, COMPACT

DN	kg	Reference Number	Price
stainless steel			
DN 6	0,05	L = 34 5009517	on request
DN 8	0,05	L = 34 5005584	on request
DN 10	0,05	L = 25 5004227	on request

### Tube



DN/Material	kg	Reference Number	Price
PTFE	0,05	3002369	on request

/ Inner dm 9 mm  
/ Outer dm 12 mm  
/ Wall thickness 1,5 mm  
/ not discountable

**BioShut quick coupling cap**

for nozzle DN 10



DN	kg	Reference Number	Price
1.4305/316L	0,13	5016616 EPDM	on request
1.4305/316L	0,13	5316616 FKM	on request

Spare parts:

DN	kg	Reference Number	Price
Coupling	0,1	3000616-010 EPDM	on request
Coupling	0,1	3003616-010 FKM	on request
13,3 x 2,4 O ring	-	1000693 EPDM	on request
13,3 x 2,5 O ring	-	1001161 FKM	on request
Closing cover	-	5006616	on request

/ length: approx. 51 mm  
/ product pressure: max. 10 bar  
/ not discountable

**BioShut-quick coupling cap DN 10 with chain**

for CLASSIC



DN	kg	Reference Number	Price
316L	0,2	5026616	on request

/ not discountable

**BioShut-quick coupling cap DN 10 with chain**

for COMPACT



DN	kg	Reference Number	Price
316L	0,2	5026616-PBC	on request

/ not discountable

**BioCap S-welded closure DN 10**

for CLASSIC, MINI, COMPACT



DN	kg	Reference Number	Price
316L	0,2	5005146	on request

Set consisting of:  
/ 1x 1012600003830 nipple 3/8"  
/ 1x 3000381 cap with knob and gasket  
/ 1x 3000509 chain with loop

/ including welding and inner surface  
/ Ra 0,8 µm mechanically polished

**KV tables**

**PB CLASSIC DN 6 and DN 8; 1,5 mm Stroke**

Stroke %	KV value (+/- 10%)*
10	0,1
20	0,1
30	0,2
40	0,2
50	0,3
60	0,3
70	0,4
80	0,4
90	0,5
100	0,5

**PB CLASSIC DN 10; 3 mm Stroke**

Stroke %	KV value (+/- 10%)*
10	0,2
20	0,4
30	0,7
40	0,9
50	1,0
60	1,2
70	1,4
80	1,5
90	1,6
100	1,6

**PB CLASSIC DN 15; 5 mm Stroke**

Stroke %	KV value (+/- 10%)*
10	0,5
20	1,3
30	2,1
40	2,9
50	3,6
60	4,2
70	4,7
80	5,1
90	5,4
100	5,6

**PB COMPACT DN 10; 3 mm Stroke**

Stroke %	KV value (+/- 10%)*
10	0,2
20	0,6
30	0,9
40	1,2
50	1,4
60	1,6
70	1,9
80	2,0
90	2,1
100	2,1

KV values (m³/h) are based on ambient temperature 20 °C pressure loss 1 bar water

