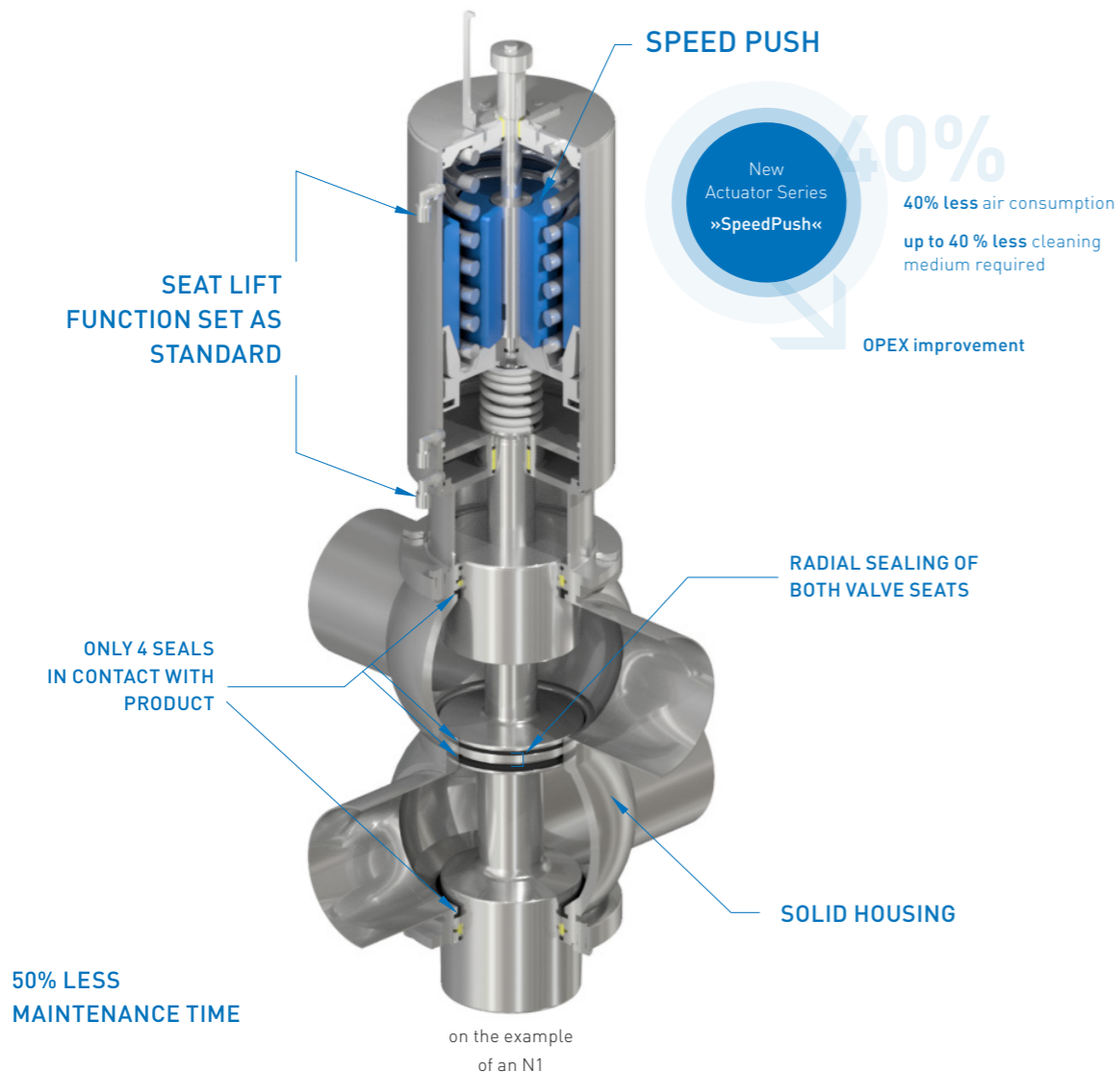


CHAPTER 3 HYGIENIC MIX PROOF VALVES

- [Page 3.4](#) Hygienic Mix Proof Valves N1.0 DIN
- [Page 3.6](#) Hygienic Mix Proof Valves N1.1 DIN
- [Page 3.8](#) Hygienic Mix Proof Valves N1.2 DIN
- [Page 3.10](#) Hygienic Mix Proof Valves N1.3 DIN
- [Page 3.12](#) Hygienic Mix Proof Valves N1.5 DIN
- [Page 3.14](#) Hygienic Mix Proof Valves N1.0 DIN reduced
- [Page 3.20](#) Hygienic Mix Proof Valves N1.3 DIN reduced
- [Page 3.26](#) Hygienic Mix Proof Valves NV1.0 Inch
- [Page 3.31](#) Hygienic Mix Proof Valves N22
- [Page 3.38](#) Hygienic Mix Proof Valves N2 PMO 3-A Standard
- [Page 3.44](#) Hygienic Mix Proof Change Over Valves N3 DIN
- [Page 3.45](#) Hygienic Mix Proof Change Over Valves NV3 Inch
- [Page 3.46](#) Hygienic Mix Proof Bottom Seat Valves N5
- [Page 3.49](#) Hygienic Mix Proof Bottom Seat Change Over Valves N9
- [Page 3.54](#) Accessories



You are interested in the technology?
Scan QR Code to watch the video!

RIEGER Hygienic mix proof valves guarantee reliable protection for your liquid product, as they completely separate non-compatible liquids. For years, they have been proven in plants of the beverage and brewery industries, of pharmaceutical as well as of food and dairy industries.

The design of the one-part solid valve body and the radial sealing of both valve seats together with the balanced valve disks allow completely safe CIP/SIP-cleaning and so guarantee extremely high safety for your products. For further details concerning RIEGER-mix proof valves ask for our prospectus.

N2 PM0 version see page 3.38

Rieger Hygienic Mix Proof Valves Comparison

TYPE	N1	N1.1	N1.2	N1.3	N1.5	N2	N3	N32	N4	N5	N9
Switching with no product loss (leak-free)	●	●	●	●	●	●	●	●	●	●	●
Leakage space cleaned during cleaning by lifting stroke function	●	○	●	●	●	●	●	●	●	●	●
Lower balancer cleaned via external cleaning chamber	○	○	●	○	○	○	○	○	○	○	○
Leakage space cleaned via external rinsing port	○	●	○	○	○	○	○	○	○	○	○
Sterile chambers (sterilizable and rinsable) in upper and lower balancer section	○	○	○	●	○	○	○	○	○	○	○
One-piece valve body	●	●	●	●	●	○	○	○	●	●	●
metallic stop	○	○	○	○	○	○	○	○	○	○	○
piggable in lower line	○	○	○	○	○	○	○	○	○	○	○
service without air supply possible	●	●	●	●	●	○	○	○	○	○	○

CONSTRUCTION OF THE VALVE

- / one-piece solid valve body
- / no welding distortion
- / light: DN 100 = 4" only 35 kg
- / only 4 seals in product space
- / safe CIP/SIP-cleaning

SERVICEABILITY

- / seal replacement without special tools
- / service without danger (spring in cage)
- / service possible without compressed air
- / low need of control air pressure: DN 100: main stroke 7 l with 6 bar
- / valve insert completely removable upwards
- / easy cleaning by lifting of both disks

EFFICIENCY

- / standard O-rings
- / standard actuator with 2 lift functions
- / fewest seal quantity on the market
- / low water demand e.g. DN 65
- / KV-value cleaning 1,4 m³/h
- / low pressure loss: 0,01 bis 0,05 bar (0,8 psi)

ABSOLUTE PRODUCT SAFETY

- / **vacuum safe:** If vacuum in lower line a spring buffers vacuum in actuator.
- / two balanced valve disks
- / radial sealing of both valve seats: no impact between Valve disk and body – no need of impact buffering cylinder
- / no soiling behind the O-rings

MATERIAL

- / in contact with product 1.4404/AISI 316L
- / optional 1.4435/AISI 316L
- / not in contact with product 1.4301/AISI 304
- / all Valves are available in special alloys, such as Hastelloy® C-22, 1.4539/904L, 1.4529, AL-6XN® and others.

GASKETS

- / EPDM or FKM (other materials on request)

TEMPERATURES

- / maximum continuous operation 130 °C* (EPDM)
- / steam sterilization 150 °C* (EPDM)

PRESSURE

- / closing pressure max. 10 bar (145 psi) (max. 4 bar for Type N5 and N9 on tank side)
- / air pressure min. 6 bar / max. 10 bar
- / water hammer safe up to 30 bar (except N4; max. 20 bar for Type N5 and N9)

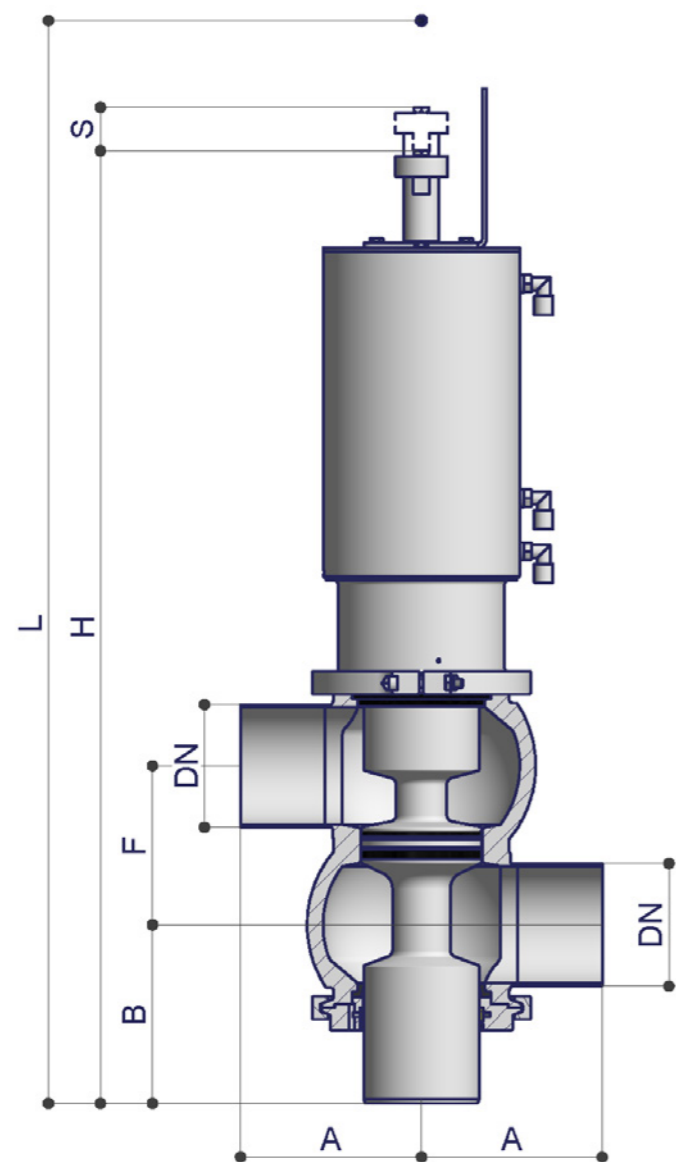
SURFACES

- / in contact with product Ra ≤ 0,8 µm (32 µin) mechanically polished
- / not in contact with product Ra ≤ 1,6 µm (63 µin) mechanically polished
- / higher quality surface finishes and e-polishing available upon request

* dependent upon operating conditions

Hygienic Mix Proof Valve N1.0 DIN

stroking without product loss, with upper and lower seat lift



DN DIN	Dimension	A	B	F	H	L	Hub (S)	kg
25	29 x 1,5	70	74	75	484	664	28	12
40	41 x 1,5	100	87	76	542	741	29	17
50	53 x 1,5	100	97	79	561	780	33	18
65	70 x 2	100	109	95	601	855	37	19
80	85 x 2	125	124	110	660	951	44	30
100	104 x 2	150	133	129	698	1028	44	35
125	129 x 2	175	156	157	865	1260	54	62
150	154 x 2	175	175	182	905	1359	57	75
200	204 x 2	on request						

Take the basic data from the table on the left. For different housing versions, please refer to the right-hand side.

Hygienic Mix Proof Valve N1.0 DIN

stroking without product loss, with upper and lower seat lift

A-E



DN DIN	Reference Number	Price
25	30100.1100.01.0404.32	on request
40	30100.1100.01.0606.32	on request
50	30100.1100.01.0707.32	on request
65	30100.1100.01.0808.32	on request
80	30100.1100.01.0909.32	on request
100	30100.1100.01.1010.32	on request
125	30100.1100.01.1111.32	on request
150	30100.1100.01.1212.32	on request
200	on request	

A-B-C



DN DIN	Reference Number	Price
25	30100.1200.01.0404.32	on request
40	30100.1200.01.0606.32	on request
50	30100.1200.01.0707.32	on request
65	30100.1200.01.0808.32	on request
80	30100.1200.01.0909.32	on request
100	30100.1200.01.1010.32	on request
125	30100.1200.01.1111.32	on request
150	30100.1200.01.1212.32	on request
200	on request	

A-C-D



DN DIN	Reference Number	Price
25	30100.1300.01.0404.32	on request
40	30100.1300.01.0606.32	on request
50	30100.1300.01.0707.32	on request
65	30100.1300.01.0808.32	on request
80	30100.1300.01.0909.32	on request
100	30100.1300.01.1010.32	on request
125	30100.1300.01.1111.32	on request
150	30100.1300.01.1212.32	on request
200	on request	

A-B-C-D



DN DIN	Reference Number	Price
25	30100.1400.01.0404.32	on request
40	30100.1400.01.0606.32	on request
50	30100.1400.01.0707.32	on request
65	30100.1400.01.0808.32	on request
80	30100.1400.01.0909.32	on request
100	30100.1400.01.1010.32	on request
125	30100.1400.01.1111.32	on request
150	30100.1400.01.1212.32	on request
200	on request	

A-C



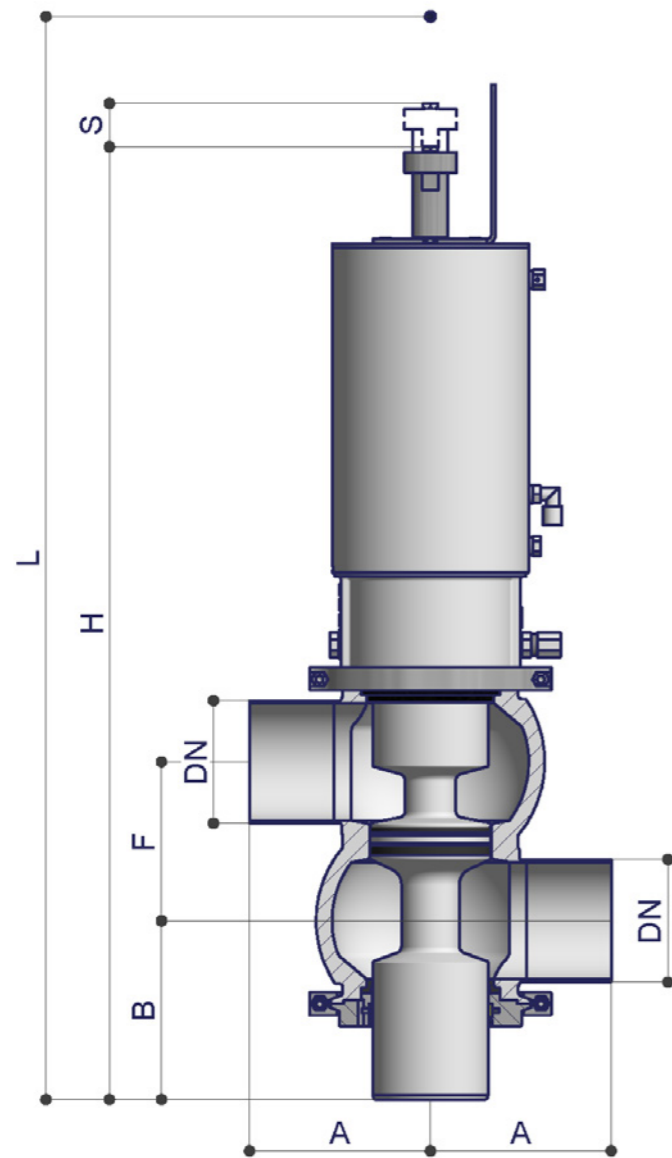
DN DIN	Reference Number	Price
25	30100.1500.01.0404.32	on request
40	30100.1500.01.0606.32	on request
50	30100.1500.01.0707.32	on request
65	30100.1500.01.0808.32	on request
80	30100.1500.01.0909.32	on request
100	30100.1500.01.1010.32	on request
125	30100.1500.01.1111.32	on request
150	30100.1500.01.1212.32	on request
200	on request	



For additional ports and/or other port configurations than standard please specify ports with letters. Port configurations in 360° possible.

Hygienic Mix Proof Valve N1.1 DIN

stroking without product loss, cleanable leakage chamber, no seat lift



DN DIN	Dimension	A	B	F	H	L	Hub (S)	kg
25	29 x 1,5	70	74	75	484	664	28	12
40	41 x 1,5	100	87	76	542	741	29	17
50	53 x 1,5	100	97	79	561	780	33	18
65	70 x 2	100	109	95	601	855	37	19
80	85 x 2	125	124	110	660	951	44	30
100	104 x 2	150	133	129	698	1028	44	35
125	129 x 2	175	156	157	865	1260	54	62
150	154 x 2	175	175	182	905	1359	57	75
200	204 x 2	on request						

Take the basic data from the table on the left. For different housing versions, please refer to the right-hand side.

Hygienic Mix Proof Valve N1.1 DIN

stroking without product loss, cleanable leakage chamber, no seat lift

A-E



DN DIN	Reference Number	Price
25	30101.1100.01.0404.32	on request
40	30101.1100.01.0606.32	on request
50	30101.1100.01.0707.32	on request
65	30101.1100.01.0808.32	on request
80	30101.1100.01.0909.32	on request
100	30101.1100.01.1010.32	on request
125	30101.1100.01.1111.32	on request
150	30101.1100.01.1212.32	on request
200	on request	

A-B-C



DN DIN	Reference Number	Price
25	30101.1200.01.0404.32	on request
40	30101.1200.01.0606.32	on request
50	30101.1200.01.0707.32	on request
65	30101.1200.01.0808.32	on request
80	30101.1200.01.0909.32	on request
100	30101.1200.01.1010.32	on request
125	30101.1200.01.1111.32	on request
150	30101.1200.01.1212.32	on request
200	on request	

A-C-D



DN DIN	Reference Number	Price
25	30101.1300.01.0404.32	on request
40	30101.1300.01.0606.32	on request
50	30101.1300.01.0707.32	on request
65	30101.1300.01.0808.32	on request
80	30101.1300.01.0909.32	on request
100	30101.1300.01.1010.32	on request
125	30101.1300.01.1111.32	on request
150	30101.1300.01.1212.32	on request
200	on request	

A-B-C-D



DN DIN	Reference Number	Price
25	30101.1400.01.0404.32	on request
40	30101.1400.01.0606.32	on request
50	30101.1400.01.0707.32	on request
65	30101.1400.01.0808.32	on request
80	30101.1400.01.0909.32	on request
100	30101.1400.01.1010.32	on request
125	30101.1400.01.1111.32	on request
150	30101.1400.01.1212.32	on request
200	on request	

A-C



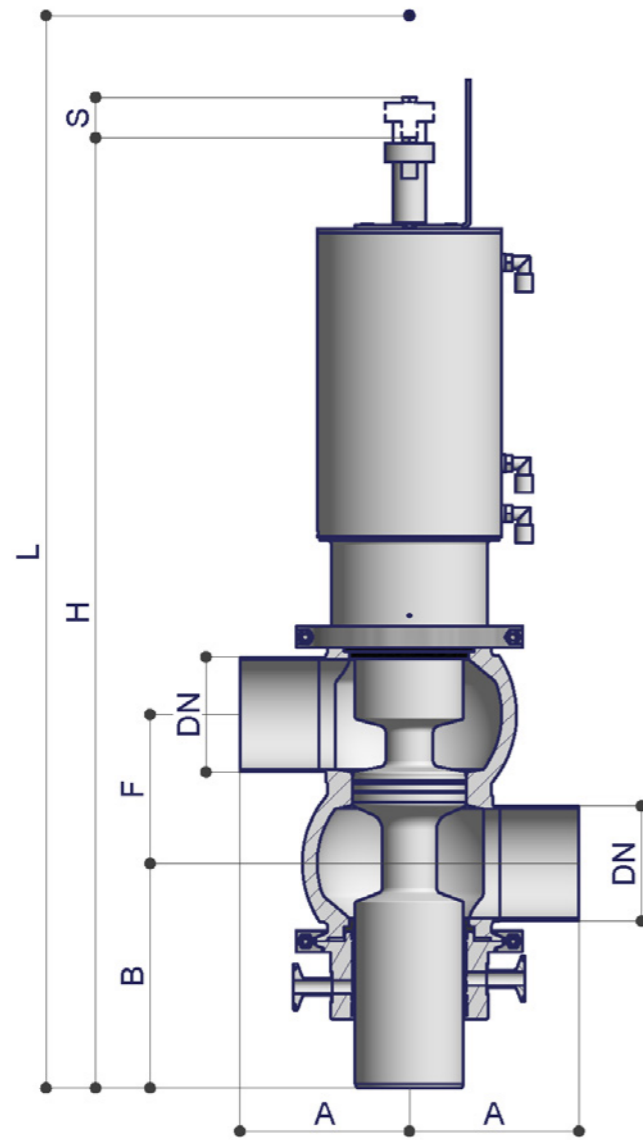
DN DIN	Reference Number	Price
25	30101.1500.01.0404.32	on request
40	30101.1500.01.0606.32	on request
50	30101.1500.01.0707.32	on request
65	30101.1500.01.0808.32	on request
80	30101.1500.01.0909.32	on request
100	30101.1500.01.1010.32	on request
125	30101.1500.01.1111.32	on request
150	30101.1500.01.1212.32	on request
200	on request	



For additional ports and/or other port configurations than standard please specify ports with letters. Port configurations in 360° possible.

Hygienic Mix Proof Valve N1.2 DIN

stroking without product loss, lower balancer cleaning, with upper and lower seat lift



DN DIN	Dimension	A	B	F	H	L	Hub (S)	kg
25	29 x 1,5	70	114	75	524	744	28	13
40	41 x 1,5	100	127	76	582	821	29	18
50	53 x 1,5	100	137	79	601	860	33	20
65	70 x 2	100	150	95	639	935	37	21
80	85 x 2	125	165	110	700	1033	44	32
100	104 x 2	150	176	129	741	1114	44	38
125	129 x 2	on request						
150	154 x 2	on request						
200	204 x 2	on request						

Take the basic data from the table on the left. For different housing versions, please refer to the right-hand side.

Hygienic Mix Proof Valve N1.2 DIN

stroking without product loss, lower balancer cleaning, with upper and lower seat lift

A-E



DN DIN	Reference Number	Price
25	30102.1100.01.0404.32	on request
40	30102.1100.01.0606.32	on request
50	30102.1100.01.0707.32	on request
65	30102.1100.01.0808.32	on request
80	30102.1100.01.0909.32	on request
100	30102.1100.01.1010.32	on request
125	30102.1100.01.1111.32	on request
150	30102.1100.01.1212.32	on request
200	on request	

A-B-C



DN DIN	Reference Number	Price
25	30102.1200.01.0404.32	on request
40	30102.1200.01.0606.32	on request
50	30102.1200.01.0707.32	on request
65	30102.1200.01.0808.32	on request
80	30102.1200.01.0909.32	on request
100	30102.1200.01.1010.32	on request
125	30102.1200.01.1111.32	on request
150	30102.1200.01.1212.32	on request
200	on request	

A-C-D



DN DIN	Reference Number	Price
25	30102.1300.01.0404.32	on request
40	30102.1300.01.0606.32	on request
50	30102.1300.01.0707.32	on request
65	30102.1300.01.0808.32	on request
80	30102.1300.01.0909.32	on request
100	30102.1300.01.1010.32	on request
125	30102.1300.01.1111.32	on request
150	30102.1300.01.1212.32	on request
200	on request	

A-B-C-D



DN DIN	Reference Number	Price
25	30102.1400.01.0404.32	on request
40	30102.1400.01.0606.32	on request
50	30102.1400.01.0707.32	on request
65	30102.1400.01.0808.32	on request
80	30102.1400.01.0909.32	on request
100	30102.1400.01.1010.32	on request
125	30102.1400.01.1111.32	on request
150	30102.1400.01.1212.32	on request
200	on request	

A-C



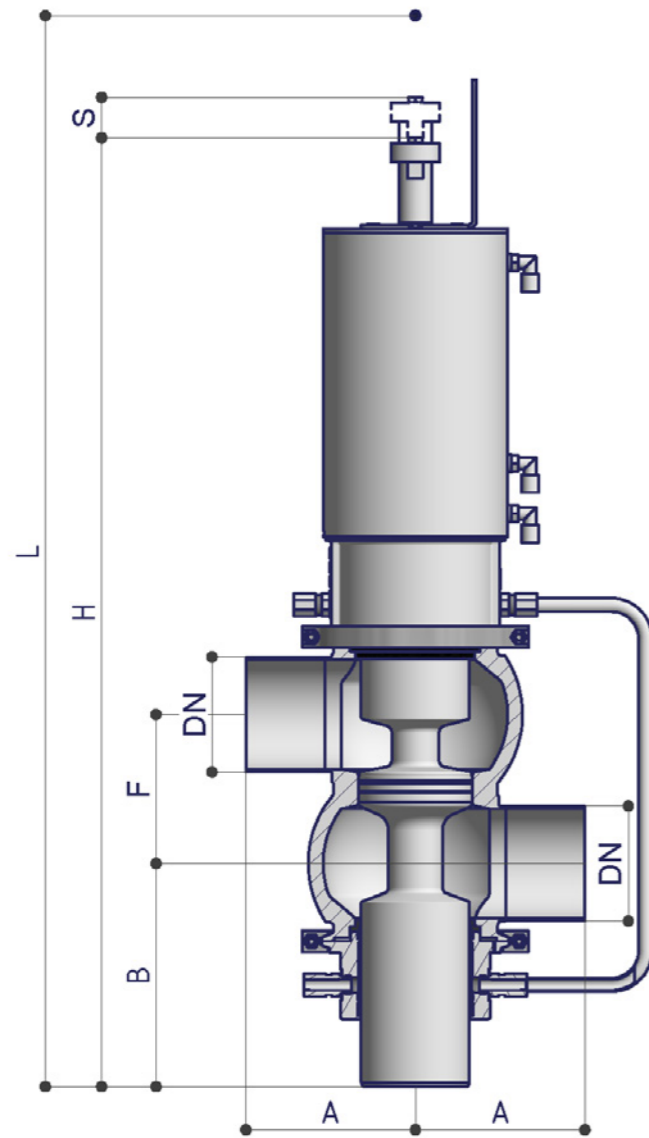
DN DIN	Reference Number	Price
25	30102.1500.01.0404.32	on request
40	30102.1500.01.0606.32	on request
50	30102.1500.01.0707.32	on request
65	30102.1500.01.0808.32	on request
80	30102.1500.01.0909.32	on request
100	30102.1500.01.1010.32	on request
125	30102.1500.01.1111.32	on request
150	30102.1500.01.1212.32	on request
200	on request	



For additional ports and/or other port configurations than standard please specify ports with letters. Port configurations in 360° possible.

Hygienic Mix Proof Valve N1.3 DIN

stroking without product loss, upper and lower balancer cleaning, with upper and lower seat lift



DN DIN	Dimension	A	B	F	H	L	Hub (S)	kg
25	29 x 1,5	70	114	75	524	744	28	13
40	41 x 1,5	100	127	76	582	821	29	18
50	53 x 1,5	100	137	79	601	860	33	20
65	70 x 2	100	150	95	639	935	37	21
80	85 x 2	125	165	110	700	1033	44	32
100	104 x 2	150	176	129	741	1114	44	38
125	129 x 2	on request						
150	154 x 2	on request						
200	204 x 2	on request						

Take the basic data from the table on the left. For different housing versions, please refer to the right-hand side.

Hygienic Mix Proof Valve N1.3 DIN

stroking without product loss, upper and lower balancer cleaning, with upper and lower seat lift

A-E



DN DIN	Reference Number	Price
25	30103.1100.01.0404.32	on request
40	30103.1100.01.0606.32	on request
50	30103.1100.01.0707.32	on request
65	30103.1100.01.0808.32	on request
80	30103.1100.01.0909.32	on request
100	30103.1100.01.1010.32	on request
125	30103.1100.01.1111.32	on request
150	30103.1100.01.1212.32	on request
200	on request	

A-B-C



DN DIN	Reference Number	Price
25	30103.1200.01.0404.32	on request
40	30103.1200.01.0606.32	on request
50	30103.1200.01.0707.32	on request
65	30103.1200.01.0808.32	on request
80	30103.1200.01.0909.32	on request
100	30103.1200.01.1010.32	on request
125	30103.1200.01.1111.32	on request
150	30103.1200.01.1212.32	on request
200	on request	

A-C-D



DN DIN	Reference Number	Price
25	30103.1300.01.0404.32	on request
40	30103.1300.01.0606.32	on request
50	30103.1300.01.0707.32	on request
65	30103.1300.01.0808.32	on request
80	30103.1300.01.0909.32	on request
100	30103.1300.01.1010.32	on request
125	30103.1300.01.1111.32	on request
150	30103.1300.01.1212.32	on request
200	on request	

A-B-C-D



DN DIN	Reference Number	Price
25	30103.1400.01.0404.32	on request
40	30103.1400.01.0606.32	on request
50	30103.1400.01.0707.32	on request </td
65	30103.1400.01.0808.32	on request
80	30103.1400.01.0909.32	on request
100	30103.1400.01.1010.32	on request
125	30103.1400.01.1111.32	on request
150	30103.1400.01.1212.32	on request
200	on request	

A-C



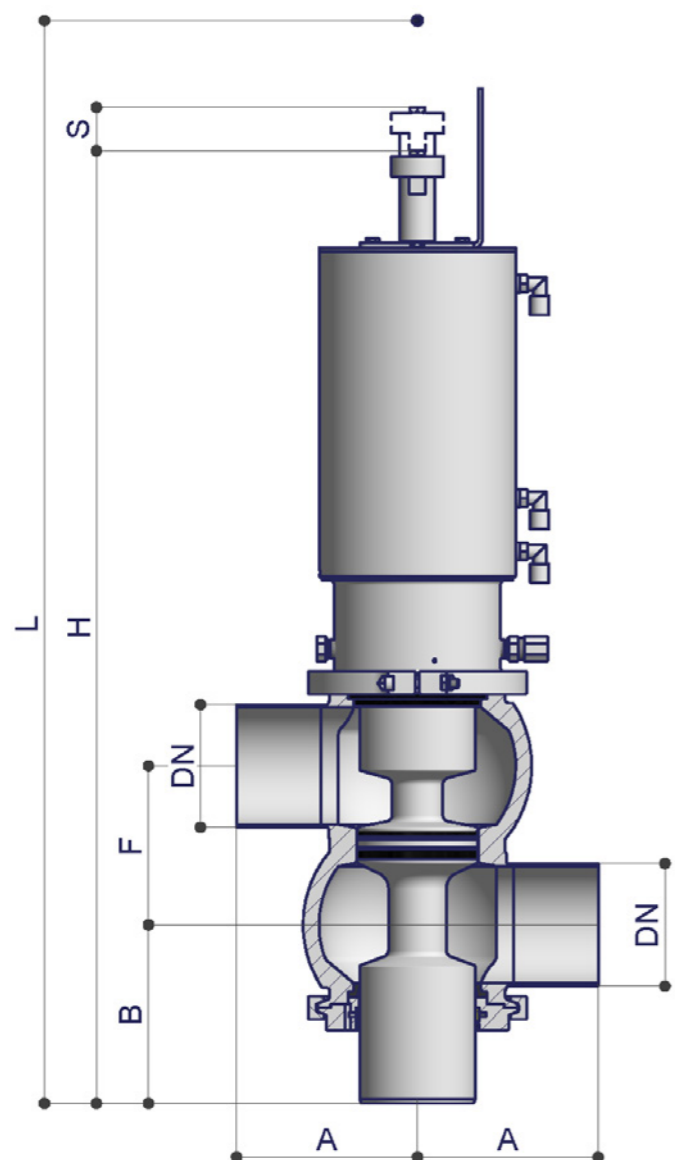
DN DIN	Reference Number	Price
25	30103.1500.01.0404.32	on request
40	30103.1500.01.0606.32	on request
50	30103.1500.01.0707.32	on request
65	30103.1500.01.0808.32	on request
80	30103.1500.01.0909.32	on request
100	30103.1500.01.1010.32	on request
125	30103.1500.01.1111.32	on request
150	30103.1500.01.1212.32	on request
200	on request	



For additional ports and/or other port configurations than standard please specify ports with letters. Port configurations in 360° possible.

Hygienic Mix Proof Valve N1.5 DIN

stroking without product loss, cleanable leakage chamber, with upper and lower seat lift



DN DIN	Dimension	A	B	F	H	L	Hub (S)	kg
25	29 x 1,5	70	74	75	484	664	28	12
40	41 x 1,5	100	87	76	542	741	29	17
50	53 x 1,5	100	97	79	561	780	33	18
65	70 x 2	100	109	95	601	855	37	19
80	85 x 2	125	124	110	660	951	44	30
100	104 x 2	150	133	129	698	1028	44	35
125	129 x 2	175	156	157	865	1260	54	62
150	154 x 2	175	175	182	905	1359	57	75
200	204 x 2	on request						

Take the basic data from the table on the left. For different housing versions, please refer to the right-hand side.

Hygienic Mix Proof Valve N1.5 DIN

stroking without product loss, cleanable leakage chamber, with upper and lower seat lift

A-E



DN DIN	Reference Number	Price
25	30150.1100.01.0404.32	on request
40	30150.1100.01.0606.32	on request
50	30150.1100.01.0707.32	on request
65	30150.1100.01.0808.32	on request
80	30150.1100.01.0909.32	on request
100	30150.1100.01.1010.32	on request
125	30150.1100.01.1111.32	on request
150	30150.1100.01.1212.32	on request
200	on request	

A-B-C



DN DIN	Reference Number	Price
25	30150.1200.01.0404.32	on request
40	30150.1200.01.0606.32	on request
50	30150.1200.01.0707.32	on request
65	30150.1200.01.0808.32	on request
80	30150.1200.01.0909.32	on request
100	30150.1200.01.1010.32	on request
125	30150.1200.01.1111.32	on request
150	30150.1200.01.1212.32	on request
200	on request	

A-C-D



DN DIN	Reference Number	Price
25	30150.1300.01.0404.32	on request
40	30150.1300.01.0606.32	on request
50	30150.1300.01.0707.32	on request
65	30150.1300.01.0808.32	on request
80	30150.1300.01.0909.32	on request
100	30150.1300.01.1010.32	on request
125	30150.1300.01.1111.32	on request
150	30150.1300.01.1212.32	on request
200	on request	

A-B-C-D



DN DIN	Reference Number	Price
25	30150.1400.01.0404.32	on request
40	30150.1400.01.0606.32	on request
50	30150.1400.01.0707.32	on request
65	30150.1400.01.0808.32	on request
80	30150.1400.01.0909.32	on request
100	30150.1400.01.1010.32	on request
125	30150.1400.01.1111.32	on request
150	30150.1400.01.1212.32	on request
200	on request	

A-C



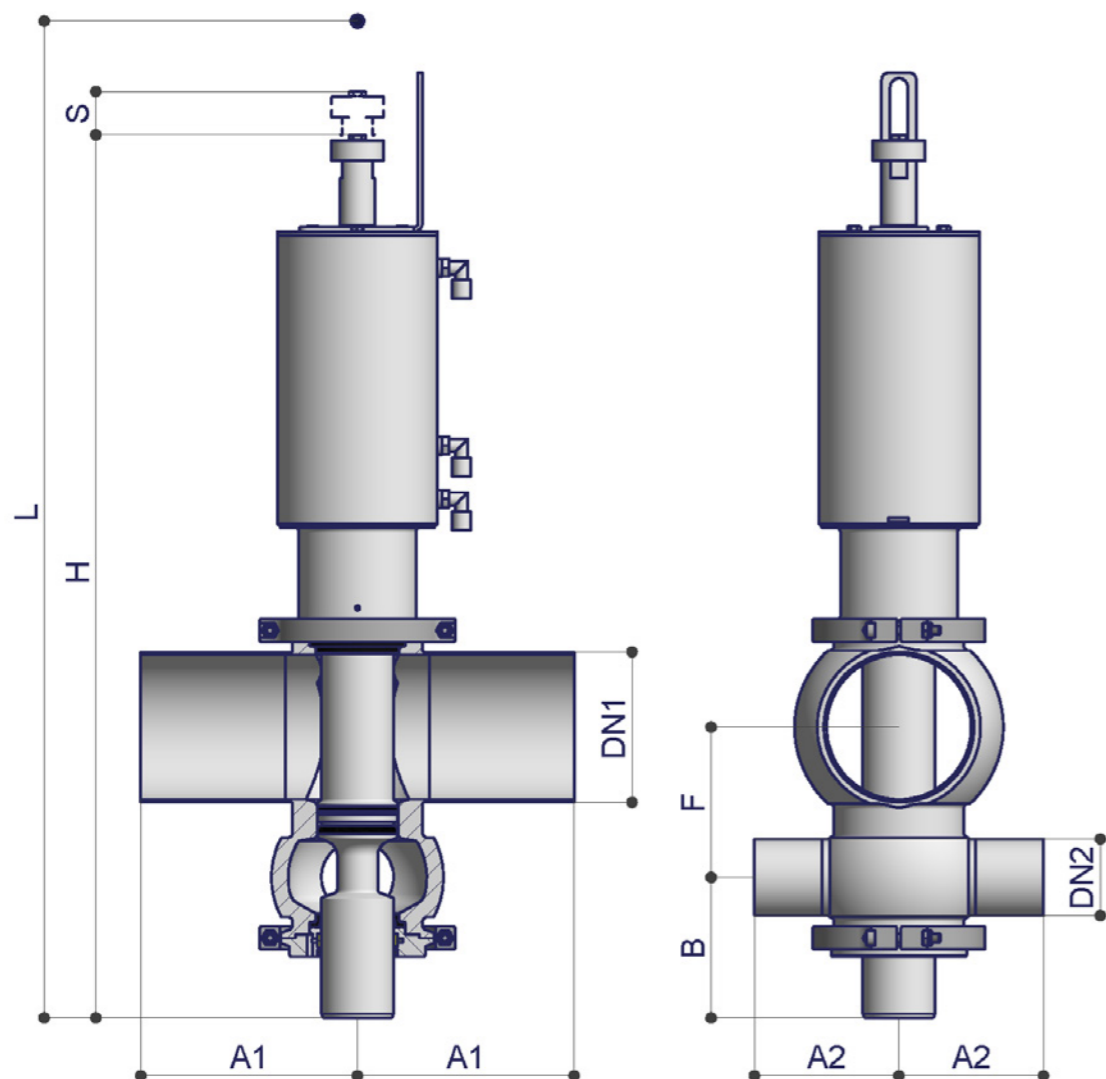
DN DIN	Reference Number	Price
25	30150.1500.01.0404.32	on request
40	30150.1500.01.0606.32	on request
50	30150.1500.01.0707.32	on request
65	30150.1500.01.0808.32	on request
80	30150.1500.01.0909.32	on request
100	30150.1500.01.1010.32	on request
125	30150.1500.01.1111.32	on request
150	30150.1500.01.1212.32	on request
200	on request	



For additional ports and/or other port configurations than standard please specify ports with letters. Port configurations in 360° possible.

Hygienic Mix Proof Valve N1.0 DIN reduced Type 150

stroking without product loss, with upper and lower seat lift, Type 150 – upper body large – lower body small



DN 1	DN 2	Dimension	A1	A2	B	F	H	L	Hub (S)	kg
50	40	53x1,5 / 41x1,5	100	100	85	79	549	756	29	18
65	40	70x2 / 41x1,5	100	100	91	93	577	812	33	19
65	50	70x2 / 53x1,5	100	100	97	87	577	812	33	19
80	40	85x2 / 41x1,5	125	110	87	93	580	818	29	21
80	50	85x2 / 53x1,5	125	100	97	94,5	592	842	33	21
80	65	85x2 / 70x2	125	100	109	102,5	612	882	37	21
100	50	104x2 / 53x1,5	150	100	97	104	611	880	33	21
100	65	104x2 / 70x2	150	100	109	112	631	920	37	21
100	80	104x2 / 85x2	150	125	124	119,5	679	989	44	33
125	80	129x2 / 85x2	175	125	124	132	704	1040	44	33
125	100	129x2 / 104x2	175	150	133	141,5	723	1080	44	36

In case of order, your get a 3D step file for design department.
Installation dimensions for other combinations on request.

Take the basic data from the table on the left. For different housing versions, please refer to the following pages.

Hygienic Mix Proof Valve N1.0 DIN reduced Type 150

stroking without product loss, with upper and lower seat lift, Type 150 – upper body large – lower body small

A-E



DN DIN	Reference Number	Price
50/40	30100.1100.01.0706.32	on request
65/25	30100.1100.01.0804.32	on request
65/40	30100.1100.01.0806.32	on request
65/50	30100.1100.01.0807.32	on request
80/40	30100.1100.01.0906.32	on request
80/50	30100.1100.01.0907.32	on request
80/65	30100.1100.01.0908.32	on request
100/40	30100.1100.01.1006.32	on request
100/50	30100.1100.01.1007.32	on request
100/65	30100.1100.01.1008.32	on request
100/80	30100.1100.01.1009.32	on request
125/40	30100.1100.01.1106.32	on request
125/50	30100.1100.01.1107.32	on request
125/65	30100.1100.01.1108.32	on request
125/80	30100.1100.01.1109.32	on request
125/100	30100.1100.01.1110.32	on request
150/40	30100.1100.01.1206.32	on request
150/50	30100.1100.01.1207.32	on request
150/65	30100.1100.01.1208.32	on request
150/80	30100.1100.01.1209.32	on request
150/100	30100.1100.01.1210.32	on request
150/125	30100.1100.01.1211.32	on request

A-B-C



DN DIN	Reference Number	Price
50/40	30100.1200.01.0706.32	on request
65/25	30100.1200.01.0804.32	on request
65/40	30100.1200.01.0806.32	on request
65/50	30100.1200.01.0807.32	on request
80/40	30100.1200.01.0906.32	on request
80/50	30100.1200.01.0907.32	on request
80/65	30100.1200.01.0908.32	on request
100/40	30100.1200.01.1006.32	on request
100/50	30100.1200.01.1007.32	on request
100/65	30100.1200.01.1008.32	on request
100/80	30100.1200.01.1009.32	on request
125/40	30100.1200.01.1106.32	on request
125/50	30100.1200.01.1107.32	on request
125/65	30100.1200.01.1108.32	on request
125/80	30100.1200.01.1109.32	on request
125/100	30100.1200.01.1110.32	on request
150/40	30100.1200.01.1206.32	on request
150/50	30100.1200.01.1207.32	on request
150/65	30100.1200.01.1208.32	on request
150/80	30100.1200.01.1209.32	on request
150/100	30100.1200.01.1210.32	on request
150/125	30100.1200.01.1211.32	on request

A-C-D



DN DIN	Reference Number	Price
50/40	30100.1300.01.0706.32	on request
65/25	30100.1300.01.0804.32	on request
65/40	30100.1300.01.0806.32	on request
65/50	30100.1300.01.0807.32	on request
80/40	30100.1300.01.0906.32	on request
80/50	30100.1300.01.0907.32	on request
80/65	30100.1300.01.0908.32	on request
100/40	30100.1300.01.1006.32	on request
100/50	30100.1300.01.1007.32	on request
100/65	30100.1300.01.1008.32	on request
100/80	30100.1300.01.1009.32	on request
125/40	30100.1300.01.1106.32	on request
125/50	30100.1300.01.1107.32	on request
125/65	30100.1300.01.1108.32	on request
125/80	30100.1300.01.1109.32	on request
125/100	30100.1300.01.1110.32	on request
150/40	30100.1300.01.1206.32	on request
150/50	30100.1300.01.1207.32	on request
150/65	30100.1300.01.1208.32	on request
150/80	30100.1300.01.1209.32	on request
150/100	30100.1300.01.1210.32	on request
150/125	30100.1300.01.1211.32	on request

further housing variants next page

Hygienic Mix Proof Valve N1.0 DIN reduced Type 150

stroking without product loss, with upper and lower seat lift, Type 150 – upper body large – lower body small

A-B-C-D



A-C



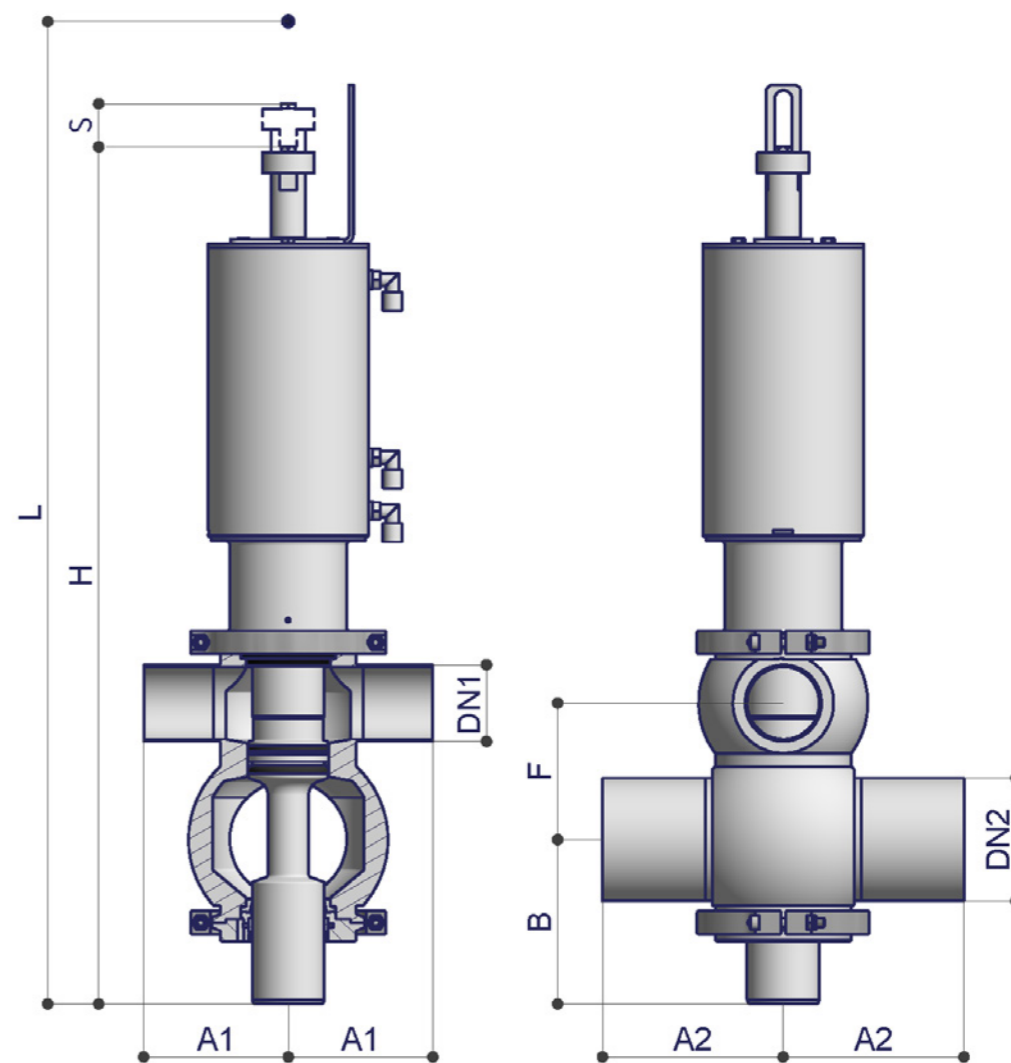
For additional ports and/or other port configurations than standard please specify ports with letters. Port configurations in 360° possible.

DN DIN	Reference Number	Price
50/40	30100.1400.01.0706.32	on request
65/25	30100.1400.01.0804.32	on request
65/40	30100.1400.01.0806.32	on request
65/50	30100.1400.01.0807.32	on request
80/40	30100.1400.01.0906.32	on request
80/50	30100.1400.01.0907.32	on request
80/65	30100.1400.01.0908.32	on request
100/40	30100.1400.01.1006.32	on request
100/50	30100.1400.01.1007.32	on request
100/65	30100.1400.01.1008.32	on request
100/80	30100.1400.01.1009.32	on request
125/40	30100.1400.01.1106.32	on request
125/50	30100.1400.01.1107.32	on request
125/65	30100.1400.01.1108.32	on request
125/80	30100.1400.01.1109.32	on request
125/100	30100.1400.01.1110.32	on request
150/40	30100.1400.01.1206.32	on request
150/50	30100.1400.01.1207.32	on request
150/65	30100.1400.01.1208.32	on request
150/80	30100.1400.01.1209.32	on request
150/100	30100.1400.01.1210.32	on request
150/125	30100.1400.01.1211.32	on request

DN DIN	Reference Number	Price
50/40	30100.1500.01.0706.32	on request
65/25	30100.1500.01.0804.32	on request
65/40	30100.1500.01.0806.32	on request
65/50	30100.1500.01.0807.32	on request
80/40	30100.1500.01.0906.32	on request
80/50	30100.1500.01.0907.32	on request
80/65	30100.1500.01.0908.32	on request
100/40	30100.1500.01.1006.32	on request
100/50	30100.1500.01.1007.32	on request
100/65	30100.1500.01.1008.32	on request
100/80	30100.1500.01.1009.32	on request
125/40	30100.1500.01.1106.32	on request
125/50	30100.1500.01.1107.32	on request
125/65	30100.1500.01.1108.32	on request
125/80	30100.1500.01.1109.32	on request
125/100	30100.1500.01.1110.32	on request
150/40	30100.1500.01.1206.32	on request
150/50	30100.1500.01.1207.32	on request
150/65	30100.1500.01.1208.32	on request
150/80	30100.1500.01.1209.32	on request
150/100	30100.1500.01.1210.32	on request
150/125	30100.1500.01.1211.32	on request

Hygienic Mix Proof Valve N1.0 DIN reduced Type 200

stroking without product loss, with upper and lower seat lift, Type 200 – upper body small – lower body large



DN 1	DN 2	Dimension	A1	A2	B	F	H	L	Hub (S)	kg
40	50	41x1,5/53x1,5	100	100	93	79	551	759	29	18
40	65	41x1,5 / 70x2	100	100	105	93	577	812	33	19
40	80	41x1,5 / 85x2	110	125	109	93	581	819	29	21
50	65	53x1,5 / 70x2	100	100	105	87	577	812	33	19
50	80	53x1,5 / 85x2	100	125	114	94,5	593	844	33	20
50	100	53x1,5 / 104x2	100	150	122	104	611	880	33	21
65	80	70x2 / 85x2	100	125	117	102,5	616	886	37	22
65	100	70x2 / 104x2	100	150	127	112	636	925	37	21
80	100	85x2 / 104x2	125	150	131	119,5	677	985	44	33
80	125	85x2 / 129x2	125	175	144	132	702	1035	44	33
100	125	104x2 / 129x2	150	175	146	141,5	723	1078	44	36

In case of order, your get a 3D step file for design department. Installation dimensions for other combinations on request.

Take the basic data from the table. For different housing versions, please refer to the following pages.

Hygienic Mix Proof Valve N1.0 DIN reduced Type 200

stroking without product loss, with upper and lower seat lift, Type 200 – upper body small – lower body large

A-E



A-B-C



A-C-D



Hygienic Mix Proof Valve N1.0 DIN reduced Type 200

stroking without product loss, with upper and lower seat lift, Type 200 – upper body small – lower body large

A-B-C-D



A-C



DN DIN	Reference Number	Price
25/50	30100.1100.01.0407.32	on request
25/65	30100.1100.01.0408.32	on request
40/65	30100.1100.01.0608.32	on request
50/65	30100.1100.01.0708.32	on request
40/80	30100.1100.01.0609.32	on request
50/80	30100.1100.01.0709.32	on request
65/80	30100.1100.01.0809.32	on request
40/100	30100.1100.01.0610.32	on request
50/100	30100.1100.01.0710.32	on request
65/100	30100.1100.01.0810.32	on request
80/100	30100.1100.01.0910.32	on request
40/125	30100.1100.01.0611.32	on request
50/125	30100.1100.01.0711.32	on request
65/125	30100.1100.01.0811.32	on request
80/125	30100.1100.01.0911.32	on request
100/125	30100.1100.01.1011.32	on request
40/150	30100.1100.01.0612.32	on request
50/150	30100.1100.01.0712.32	on request
65/150	30100.1100.01.0812.32	on request
80/150	30100.1100.01.0912.32	on request
100/150	30100.1100.01.1012.32	on request
125/150	30100.1100.01.1112.32	on request

DN DIN	Reference Number	Price
25/50	30100.1200.01.0407.32	on request
25/65	30100.1200.01.0408.32	on request
40/65	30100.1200.01.0608.32	on request
50/65	30100.1200.01.0708.32	on request
40/80	30100.1200.01.0609.32	on request
50/80	30100.1200.01.0709.32	on request
65/80	30100.1200.01.0809.32	on request
40/100	30100.1200.01.0610.32	on request
50/100	30100.1200.01.0710.32	on request
65/100	30100.1200.01.0810.32	on request
80/100	30100.1200.01.0910.32	on request
40/125	30100.1200.01.0611.32	on request
50/125	30100.1200.01.0711.32	on request
65/125	30100.1200.01.0811.32	on request
80/125	30100.1200.01.0911.32	on request
100/125	30100.1200.01.1011.32	on request
40/150	30100.1200.01.0612.32	on request
50/150	30100.1200.01.0712.32	on request
65/150	30100.1200.01.0812.32	on request
80/150	30100.1200.01.0912.32	on request
100/150	30100.1200.01.1012.32	on request
125/150	30100.1200.01.1112.32	on request

DN DIN	Reference Number	Price
25/50	30100.1300.01.0407.32	on request
25/65	30100.1300.01.0408.32	on request
40/65	30100.1300.01.0608.32	on request
50/65	30100.1300.01.0708.32	on request
40/80	30100.1300.01.0609.32	on request
50/80	30100.1300.01.0709.32	on request
65/80	30100.1300.01.0809.32	on request
40/100	30100.1300.01.0610.32	on request
50/100	30100.1300.01.0710.32	on request
65/100	30100.1300.01.0810.32	on request
80/100	30100.1300.01.0910.32	on request
40/125	30100.1300.01.0611.32	on request
50/125	30100.1300.01.0711.32	on request
65/125	30100.1300.01.0811.32	on request
80/125	30100.1300.01.0911.32	on request
100/125	30100.1300.01.1011.32	on request
40/150	30100.1300.01.0612.32	on request
50/150	30100.1300.01.0712.32	on request
65/150	30100.1300.01.0812.32	on request
80/150	30100.1300.01.0912.32	on request
100/150	30100.1300.01.1012.32	on request
125/150	30100.1300.01.1112.32	on request

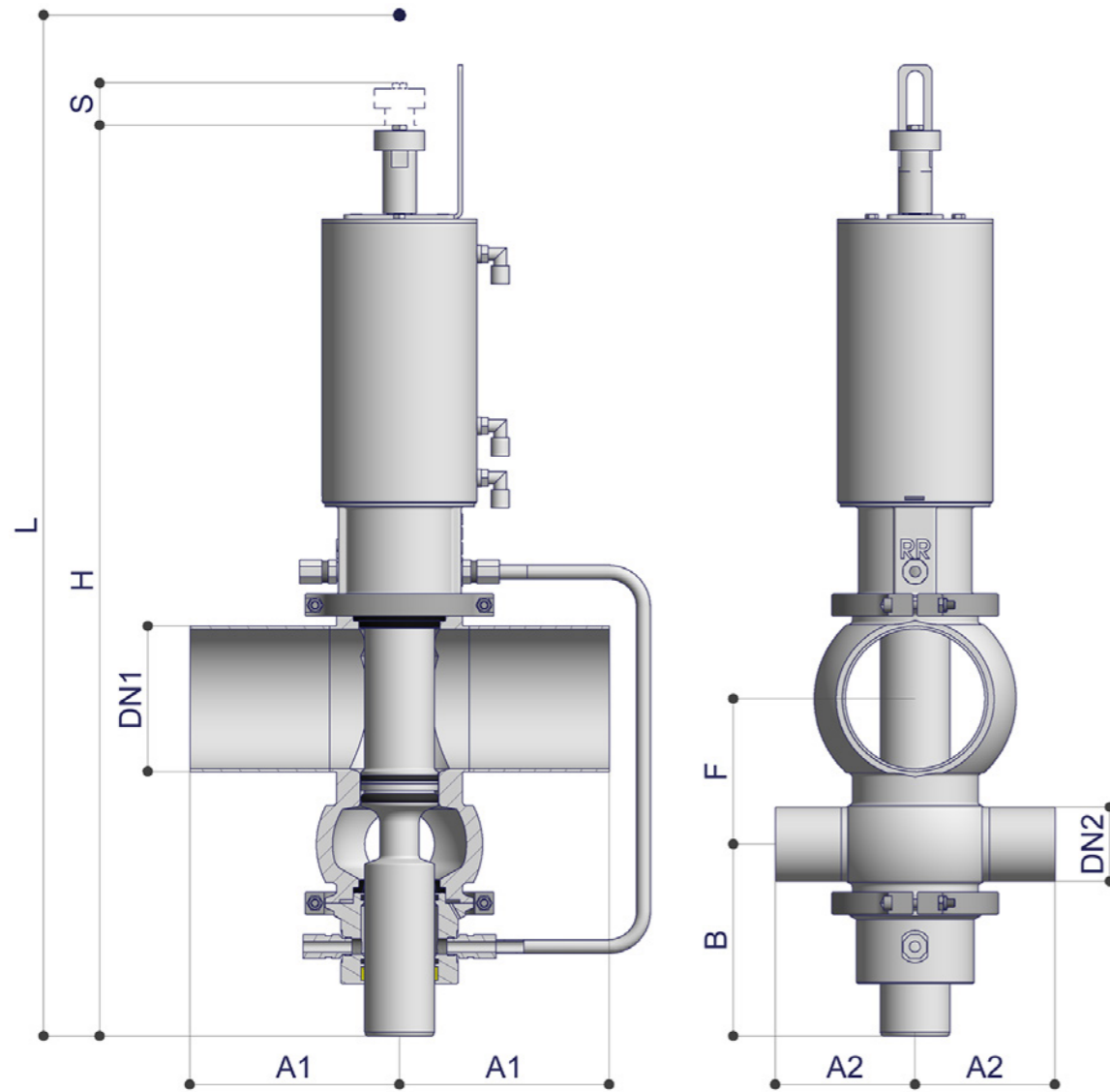
DN DIN	Reference Number	Price
25/50	30100.1400.01.0407.32	on request
25/65	30100.1400.01.0408.32	on request
40/65	30100.1400.01.0608.32	on request
50/65	30100.1400.01.0708.32	on request
40/80	30100.1400.01.0609.32	on request
50/80	30100.1400.01.0709.32	on request
65/80	30100.1400.01.0809.32	on request
40/100	30100.1400.01.0610.32	on request
50/100	30100.1400.01.0710.32	on request
65/100	30100.1400.01.0810.32	on request
80/100	30100.1400.01.0910.32	on request
40/125	30100.1400.01.0611.32	on request
50/125	30100.1400.01.0711.32	on request
65/125	30100.1400.01.0811.32	on request
80/125	30100.1400.01.0911.32	on request
100/125	30100.1400.01.1011.32	on request
40/150	30100.1400.01.0612.32	on request
50/150	30100.1400.01.0712.32	on request
65/150	30100.1400.01.0812.32	on request
80/150	30100.1400.01.0912.32	on request
100/150	30100.1400.01.1012.32	on request
125/150	30100.1400.01.1112.32	on request

DN DIN	Reference Number	Price
25/50	30100.1500.01.0407.32	on request
25/65	30100.1500.01.0408.32	on request
40/65	30100.1500.01.0608.32	on request
50/65	30100.1500.01.0708.32	on request
40/80	30100.1500.01.0609.32	on request
50/80	30100.1500.01.0709.32	on request
65/80	30100.1500.01.0809.32	on request
40/100	30100.1500.01.0610.32	on request
50/100	30100.1500.01.0710.32	on request
65/100	30100.1500.01.0810.32	on request
80/100	30100.1500.01.0910.32	on request
40/125	30100.1500.01.0611.32	on request
50/125	30100.1500.01.0711.32	on request
65/125	30100.1500.01.0811.32	on request
80/125	30100.1500.01.0911.32	on request
100/125	30100.1500.01.1011.32	on request
40/150	30100.1500.01.0612.32	on request
50/150	30100.1500.01.0712.32	on request
65/150	30100.1500.01.0812.32	on request
80/150	30100.1500.01.0912.32	on request
100/150	30100.1500.01.1012.32	on request
125/150	30100.1500.01.1112.32	on request

For additional ports and/or other port configurations than standard please specify ports with letters. Port configurations in 360° possible.

Hygienic Mix Proof Valve N1.3 DIN reduced Type 150

stroking without product loss, upper and lower balancer cleaning, with upper and lower seat lift, upper body large – lower body small



DN 1	DN 2	Dimension	A1	A2	B	F	H	L	Hub (S)	kg
50	40	53x1,5 / 41x1,5	100	100	125	79	589	836	29	19
65	40	70x2 / 41x1,5	100	100	131	93	617	852	33	20
65	50	70x2 / 53x1,5	100	100	137	87	617	892	33	20
80	40	85x2 / 41x1,5	125	110	127	93	620	898	29	22
80	50	85x2 / 53x1,5	125	100	137	94,5	632	922	33	23
80	65	85x2 / 70x2	125	100	150	102,5	653	964	37	23
100	50	104x2 / 53x1,5	150	100	137	104	651	959	33	23
100	65	104x2 / 70x2	150	100	150	112	672	1002	37	23
100	80	104x2 / 85x2	150	125	164	119,5	719	1069	44	34
125	80	129x2 / 85x2	175	125	165	132	745	1122	44	34
125	100	129x2 / 104x2	175	150	176	141,5	766	1166	44	38

In case of order, your get a 3D step file for design department. Installation dimensions for other combinations on request.

Take the basic data from the table on the left. For different housing versions, please refer to the following pages.

Hygienic Mix Proof Valve N1.3 DIN reduced Type 150

stroking without product loss, upper and lower balancer cleaning, with upper and lower seat lift, upper body large – lower body small

A-E



A-B-C



A-C-D



DN DIN	Reference Number	Price
50/40	30103.1100.01.0706.32	on request
65/40	30103.1100.01.0806.32	on request
65/50	30103.1100.01.0807.32	on request
80/40	30103.1100.01.0906.32	on request
80/50	30103.1100.01.0907.32	on request
80/65	30103.1100.01.0908.32	on request
100/40	30103.1100.01.1006.32	on request
100/50	30103.1100.01.1007.32	on request
100/65	30103.1100.01.1008.32	on request
100/80	30103.1100.01.1009.32	on request
125/40	30103.1100.01.1106.32	on request
125/50	30103.1100.01.1107.32	on request
125/65	30103.1100.01.1108.32	on request
125/80	30103.1100.01.1109.32	on request
125/100	30103.1100.01.1110.32	on request
150/40	30103.1100.01.1206.32	on request
150/50	30103.1100.01.1207.32	on request
150/65	30103.1100.01.1208.32	on request
150/80	30103.1100.01.1209.32	on request
150/100	30103.1100.01.1210.32	on request
150/125	30103.1100.01.1211.32	on request

DN DIN	Reference Number	Price
50/40	30102.1200.01.0706.32	on request
65/40	30102.1200.01.0806.32	on request
65/50	30102.1200.01.0807.32	on request
80/40	30102.1200.01.0906.32	on request
80/50	30102.1200.01.0907.32	on request
80/65	30102.1200.01.0908.32	on request
100/40	30102.1200.01.1006.32	on request
100/50	30102.1200.01.1007.32	on request
100/65	30102.1200.01.1008.32	on request
100/80	30102.1200.01.1009.32	on request
125/40	30102.1200.01.1106.32	on request
125/50	30102.1200.01.1107.32	on request
125/65	30102.1200.01.1108.32	on request
125/80	30102.1200.01.1109.32	on request
125/100	30102.1200.01.1110.32	on request
150/40	30102.1200.01.1206.32	on request
150/50	30102.1200.01.1207.32	on request
150/65	30102.1200.01.1208.32	on request
150/80	30102.1200.01.1209.32	on request
150/100	30102.1200.01.1210.32	on request
150/125	30102.1200.01.1211.32	on request

DN DIN	Reference Number	Price
50/40	30103.1300.01.0706.32	on request
65/40	30103.1300.01.0806.32	on request
65/50	30103.1300.01.0807.32	on request
80/40	30103.1300.01.0906.32	on request
80/50	30103.1300.01.0907.32	on request
80/65	30103.1300.01.0908.32	on request
100/40	30103.1300.01.1006.32	on request
100/50	30103.1300.01.1007.32	on request
100/65	30103.1300.01.1008.32	on request
100/80	30103.1300.01.1009.32	on request
125/40	30103.1300.01.1106.32	on request
125/50	30103.1300.01.1107.32	on request
125/65	30103.1300.01.1108.32	on request
125/80	30103.1300.01.1109.32	on request
125/100	30103.1300.01.1110.32	on request
150/40	30103.1300.01.1206.32	on request
150/50	30103.1300.01.1207.32	on request
150/65	30103.1300.01.1208.32	on request
150/80	30103.1300.01.1209.32	on request
150/100	30103.1300.01.1210.32	on request
150/125	30103.1300.01.1211.32	on request

further housing variants next page

Hygienic Mix Proof Valve N1.3 DIN reduced Type 150

stroking without product loss, upper and lower balancer cleaning, with upper and lower seat lift, upper body large – lower body small

A-B-C-D



A-C



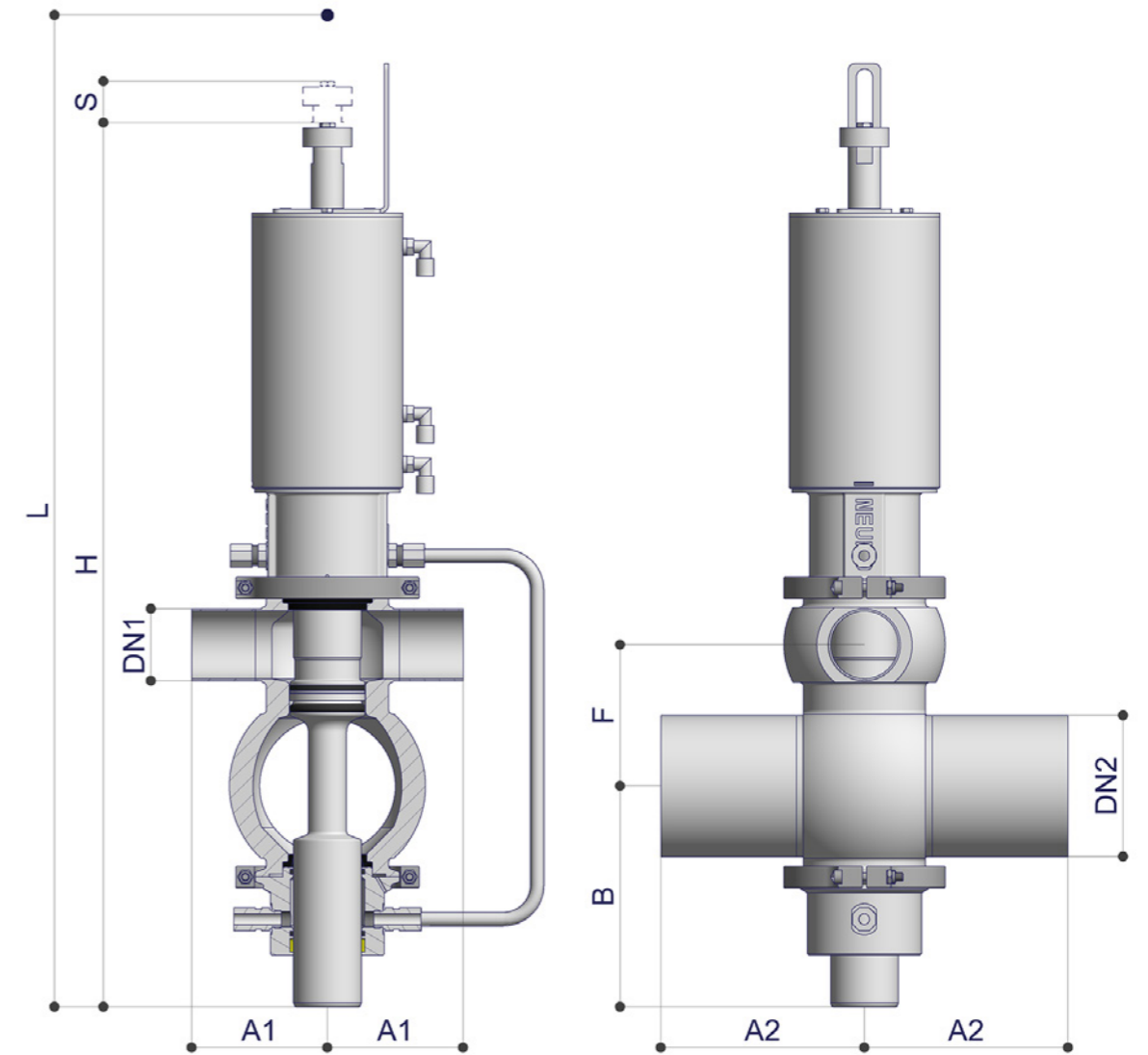
For additional ports and/or other port configurations than standard please specify ports with letters. Port configurations in 360° possible.

DN DIN	Reference Number	Price
50/40	30103.1400.01.0706.32	on request
65/40	30103.1400.01.0806.32	on request
65/50	30103.1400.01.0807.32	on request
80/40	30103.1400.01.0906.32	on request
80/50	30103.1400.01.0907.32	on request
80/65	30103.1400.01.0908.32	on request
100/40	30103.1400.01.1006.32	on request
100/50	30103.1400.01.1007.32	on request
100/65	30103.1400.01.1008.32	on request
100/80	30103.1400.01.1009.32	on request
125/40	30103.1400.01.1106.32	on request
125/50	30103.1400.01.1107.32	on request
125/65	30103.1400.01.1108.32	on request
125/80	30103.1400.01.1109.32	on request
125/100	30103.1400.01.1110.32	on request
150/40	30103.1400.01.1206.32	on request
150/50	30103.1400.01.1207.32	on request
150/65	30103.1400.01.1208.32	on request
150/80	30103.1400.01.1209.32	on request
150/100	30103.1400.01.1210.32	on request
150/125	30103.1400.01.1211.32	on request

DN DIN	Reference Number	Price
50/40	30103.1500.01.0706.32	on request
65/40	30103.1500.01.0806.32	on request
65/50	30103.1500.01.0807.32	on request
80/40	30103.1500.01.0906.32	on request
80/50	30103.1500.01.0907.32	on request
80/65	30103.1500.01.0908.32	on request
100/40	30103.1500.01.1006.32	on request
100/50	30103.1500.01.1007.32	on request
100/65	30103.1500.01.1008.32	on request
100/80	30103.1500.01.1009.32	on request
125/40	30103.1500.01.1106.32	on request
125/50	30103.1500.01.1107.32	on request
125/65	30103.1500.01.1108.32	on request
125/80	30103.1500.01.1109.32	on request
125/100	30103.1500.01.1110.32	on request
150/40	30103.1500.01.1206.32	on request
150/50	30103.1500.01.1207.32	on request
150/65	30103.1500.01.1208.32	on request
150/80	30103.1500.01.1209.32	on request
150/100	30103.1500.01.1210.32	on request
150/125	30103.1500.01.1211.32	on request

Hygienic Mix Proof Valve N1.3 DIN reduced Type 200

stroking without product loss, upper and lower balancer cleaning, with upper and lower seat lift, upper body small – lower body large



DN 1	DN 2	Dimension	A1	A2	B	F	H	L	Hub (S)	kg
40	50	41x1,5/53x1,5	100	100	133	79	591	840	29	19
40	65	41x1,5 / 70x2	100	100	145	93	617	893	33	20
40	80	41x1,5 / 85x2	110	125	149	93	621	900	29	22
50	65	53x1,5 / 70x2	100	100	145	87	617	893	33	20
50	80	53x1,5 / 85x2	100	125	154	94,5	633	925	33	21
50	100	53x1,5 / 104x2	100	150	162	104	651	960	33	22
65	80	70x2 / 85x2	100	125	158	102,5	657	968	37	23
65	100	70x2 / 104x2	100	150	168	112	677	1007	37	22
80	100	85x2 / 104x2	125	150	172	119,5	718	1067	44	35
80	125	85x2 / 129x2	125	175	185	132	743	1117	44	35
100	125	104x2 / 129x2	150	175	189	141,5	766	1165	44	38

In case of order, you get a 3D step file for design department. Installation dimensions for other combinations on request.

Take the basic data from the table. For different housing versions, please refer to the following pages.

Hygienic Mix Proof Valve N1.3 DIN reduced Type 200

stroking without product loss, upper and lower balancer cleaning, with upper and lower seat lift, upper body small – lower body large

A-E



A-B-C



A-C-D



DN DIN	Reference Number	Price
25/50	30103.1100.01.0407.32	on request
25/65	30103.1100.01.0408.32	on request
40/65	30103.1100.01.0608.32	on request
50/65	30103.1100.01.0708.32	on request
40/80	30103.1100.01.0609.32	on request
50/80	30103.1100.01.0709.32	on request
65/80	30103.1100.01.0809.32	on request
40/100	30103.1100.01.0610.32	on request
50/100	30103.1100.01.0710.32	on request
65/100	30103.1100.01.0810.32	on request
80/100	30103.1100.01.0910.32	on request
40/125	30103.1100.01.0611.32	on request
50/125	30103.1100.01.0711.32	on request
65/125	30103.1100.01.0811.32	on request
80/125	30103.1100.01.0911.32	on request
100/125	30103.1100.01.1011.32	on request
40/150	30103.1100.01.0612.32	on request
50/150	30103.1100.01.0712.32	on request
65/150	30103.1100.01.0812.32	on request
80/150	30103.1100.01.0912.32	on request
100/150	30103.1100.01.1012.32	on request
125/150	30103.1100.01.1112.32	on request

DN DIN	Reference Number	Price
25/50	30103.1200.01.0407.32	on request
25/65	30103.1200.01.0408.32	on request
40/65	30103.1200.01.0608.32	on request
50/65	30103.1200.01.0708.32	on request
40/80	30103.1200.01.0609.32	on request
50/80	30103.1200.01.0709.32	on request
65/80	30103.1200.01.0809.32	on request
40/100	30103.1200.01.0610.32	on request
50/100	30103.1200.01.0710.32	on request
65/100	30103.1200.01.0810.32	on request
80/100	30103.1200.01.0910.32	on request
40/125	30103.1200.01.0611.32	on request
50/125	30103.1200.01.0711.32	on request
65/125	30103.1200.01.0811.32	on request
80/125	30103.1200.01.0911.32	on request
100/125	30103.1200.01.1011.32	on request
40/150	30103.1200.01.0612.32	on request
50/150	30103.1200.01.0712.32	on request
65/150	30103.1200.01.0812.32	on request
80/150	3010231200.01.0912.32	on request
100/150	30103.1200.01.1012.32	on request
125/150	30103.1200.01.1112.32	on request

DN DIN	Reference Number	Price
25/50	30103.1300.01.0407.32	on request
25/65	30103.1300.01.0408.32	on request
40/65	30103.1300.01.0608.32	on request
50/65	30103.1300.01.0708.32	on request
40/80	30103.1300.01.0609.32	on request
50/80	30103.1300.01.0709.32	on request
65/80	30103.1300.01.0809.32	on request
40/100	30103.1300.01.0610.32	on request
50/100	30103.1300.01.0710.32	on request
65/100	30103.1300.01.0810.32	on request
80/100	30103.1300.01.0910.32	on request
40/125	30103.1300.01.0611.32	on request
50/125	30103.1300.01.0711.32	on request
65/125	30103.1300.01.0811.32	on request
80/125	30103.1300.01.0911.32	on request
100/125	30103.1300.01.1011.32	on request
40/150	30103.1300.01.0612.32	on request
50/150	30103.1300.01.0712.32	on request
65/150	30103.1300.01.0812.32	on request
80/150	30103.1300.01.0912.32	on request
100/150	30103.1300.01.1012.32	on request
125/150	30103.1300.01.1112.32	on request

Hygienic Mix Proof Valve N1.3 DIN reduced Type 200

stroking without product loss, upper and lower balancer cleaning, with upper and lower seat lift, upper body small – lower body large

A-B-C-D



A-C



DN DIN	Reference Number	Price
25/50	30103.1400.01.0407.32	on request
25/65	30103.1400.01.0408.32	on request
40/65	30103.1400.01.0608.32	on request
50/65	30103.1400.01.0708.32	on request
40/80	30103.1400.01.0609.32	on request
50/80	30103.1400.01.0709.32	on request
65/80	30103.1400.01.0809.32	on request
40/100	30103.1400.01.0610.32	on request
50/100	30103.1400.01.0710.32	on request
65/100	30103.1400.01.0810.32	on request
80/100	30103.1400.01.0910.32	on request
40/125	30103.1400.01.0611.32	on request
50/125	30103.1400.01.0711.32	on request
65/125	30103.1400.01.0811.32	on request
80/125	30103.1400.01.0911.32	on request
100/125	30103.1400.01.1011.32	on request
40/150	30103.1400.01.0612.32	on request
50/150	30103.1400.01.0712.32	on request
65/150	30103.1400.01.0812.32	on request
80/150	30103.1400.01.0912.32	on request
100/150	301031400.01.1012.32	on request
125/150	30103.1400.01.1112.32	on request

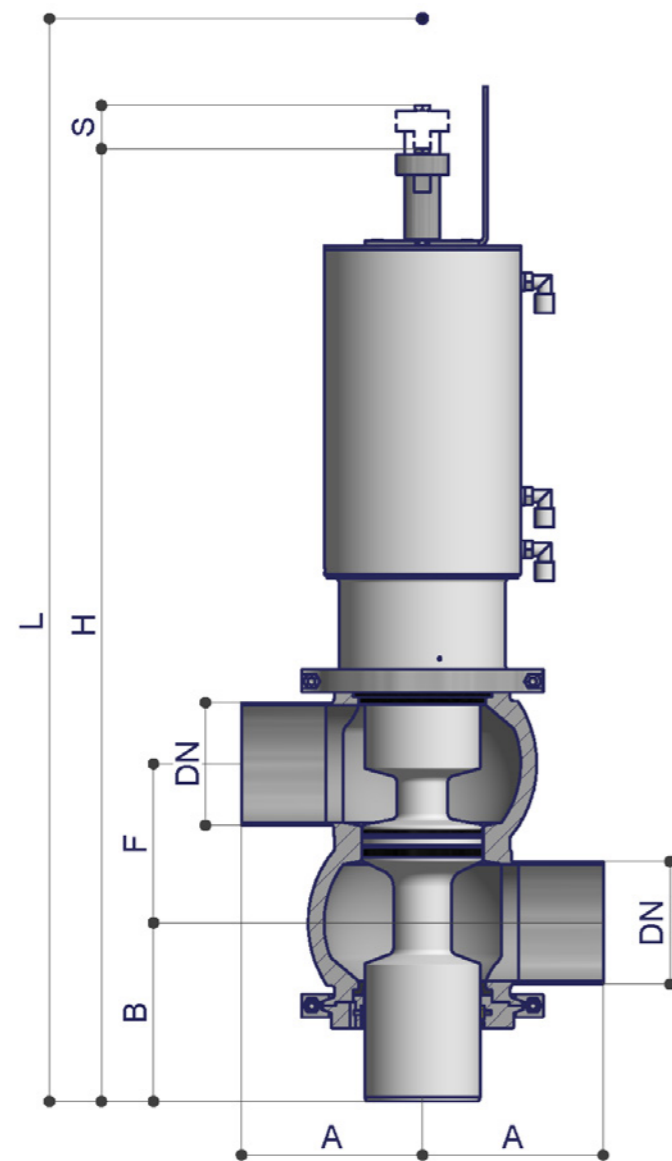
DN DIN	Reference Number	Price
25/50	30103.1500.01.0407.32	on request
25/65	30103.1500.01.0408.32	on request
40/65	30103.1500.01.0608.32	on request
50/65	30103.1500.01.0708.32	on request
40/80	30103.1500.01.0609.32	on request
50/80	30103.1500.01.0709.32	on request
65/80	30103.1500.01.0809.32	on request
40/100	30103.1500.01.0610.32	on request
50/100	30103.1500.01.0710.32	on request
65/100	30103.1500.01.0810.32	on request
80/100	30103.1500.01.0910.32	on request
40/125	30103.1500.01.0611.32	on request
50/125	30103.1500.01.0711.32	on request
65/125	30103.1500.01.0811.32	on request
80/125	30103.1500.01.0911.32	on request
100/125	30103.1500.01.1011.32	on request
40/150	30103.1500.01.0612.32	on request
50/150	30103.1500.01.0712.32	on request
65/150	30103.1500.01.0812.32	on request
80/150	30103.1500.01.0912.32	on request
100/150	30103.1500.01.1012.32	on request
125/150	30103.1500.01.1112.32	on request



For additional ports and/or other port configurations than standard please specify ports with letters. Port configurations in 360° possible.

Hygienic Mix Proof Valve NV1.0 Inch

stroking without product loss, with upper and lower seat lift



DN Inch	Dimension	A	B	F	H	L	Hub (S)	kg
1"	25,4 x 1,65	on request						
1 1/2"	38,1 x 1,65	100	84	73	517	708	29	17
2"	50,8 x 1,65	100	94	77	555	767	33	18
2 1/2"	63,5 x 1,65	100	102	89	565	804	37	19
3"	76,2 x 1,65	125	117,5	102	625	900	44	32
4"	101,6 x 2,11	150	131	126	692	1015	44	35
6"	152,4 x 2,77	200	174	175	879	1323	56	82

Take the basic data from the table on the left. For different housing versions, please refer to the right-hand side.

Hygienic Mix Proof Valve NV1.0 Inch

stroking without product loss, with upper and lower seat lift

A-E



DN Inch	Reference Number	Price
1"	30107.1100.01.2424.32	on request
1 1/2"	30107.1100.01.2626.32	on request
2"	30107.1100.01.2727.32	on request
2 1/2"	30107.1100.01.2828.32	on request
3"	30107.1100.01.2929.32	on request
4"	30107.1100.01.3030.32	on request
6"	30107.1100.01.3232.32	on request

A-B-C



DN Inch	Reference Number	Price
1"	30107.1200.01.2424.32	on request
1 1/2"	30107.1200.01.2626.32	on request
2"	30107.1200.01.2727.32	on request
2 1/2"	30107.1200.01.2828.32	on request
3"	30107.1200.01.2929.32	on request
4"	30107.1200.01.3030.32	on request
6"	30107.1200.01.3232.32	on request

A-C-D



DN Inch	Reference Number	Price
1"	30107.1300.01.2424.32	on request
1 1/2"	30107.1300.01.2626.32	on request
2"	30107.1300.01.2727.32	on request
2 1/2"	30107.1300.01.2828.32	on request
3"	30107.1300.01.2929.32	on request
4"	30107.1300.01.3030.32	on request
6"	30107.1300.01.3232.32	on request

A-B-C-D



DN Inch	Reference Number	Price
1"	30107.1400.01.2424.32	on request
1 1/2"	30107.1400.01.2626.32	on request
2"	30107.1400.01.2727.32	on request
2 1/2"	30107.1400.01.2828.32	on request
3"	30107.1400.01.2929.32	on request
4"	30107.1400.01.3030.32	on request
6"	30107.1400.01.3232.32	on request

A-C



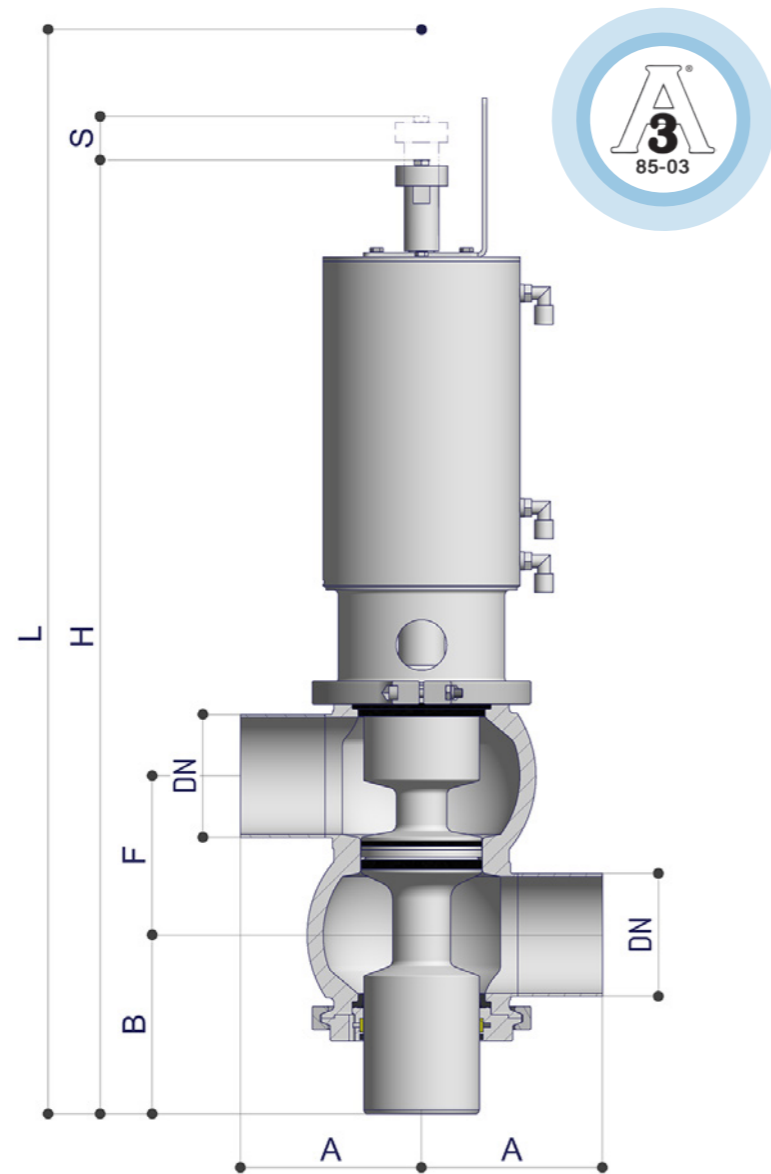
DN Inch	Reference Number	Price
1"	30107.1500.01.2424.32	on request
1 1/2"	30107.1500.01.2626.32	on request
2"	30107.1500.01.2727.32	on request
2 1/2"	30107.1500.01.2828.32	on request
3"	30107.1500.01.2929.32	on request
4"	30107.1500.01.3030.32	on request
6"	30107.1500.01.3232.32	on request



For additional ports and/or other port configurations than standard please specify ports with letters. Port configurations in 360° possible.

Hygienic Mix Proof Valve NV1.0 Inch 3-A Standard 85-03

stroking without product loss, with upper and lower seat lift



DN Inch	Dimension	A	B	F	H	L	Hub (S)	kg
1"	25,4 x 1,65	on request						
1 1/2"	38,1 x 1,65	100	84	73	517	708	29	17
2"	50,8 x 1,65	100	94	77	555	767	33	18
2 1/2"	63,5 x 1,65	100	102	89	565	804	37	19
3"	76,2 x 1,65	125	117,5	102	625	900	44	32
4"	101,6 x 2,11	150	131	126	692	1015	44	35
6"	152,4 x 2,77	200	174	175	879	1323	56	82

Take the basic data from the table on the left. For different housing versions, please refer to the right-hand side.

Hygienic Mix Proof Valve NV1.0 Inch

stroking without product loss, with upper and lower seat lift

A-E



DN Inch	Reference Number	Price
1"	30107.1100.01.2424.32.301	on request
1 1/2"	30107.1100.01.2626.32.301	on request
2"	30107.1100.01.2727.32.301	on request
2 1/2"	30107.1100.01.2828.32.301	on request
3"	30107.1100.01.2929.32.301	on request
4"	30107.1100.01.3030.32.301	on request
6"	30107.1100.01.3232.32.301	on request

A-B-C



DN Inch	Reference Number	Price
1"	30107.1200.01.2424.32.301	on request
1 1/2"	30107.1200.01.2626.32.301	on request
2"	30107.1200.01.2727.32.301	on request
2 1/2"	30107.1200.01.2828.32.301	on request
3"	30107.1200.01.2929.32.301	on request
4"	30107.1200.01.3030.32.301	on request
6"	30107.1200.01.3232.32.301	on request

A-C-D



DN Inch	Reference Number	Price
1"	30107.1300.01.2424.32.301	on request
1 1/2"	30107.1300.01.2626.32.301	on request
2"	30107.1300.01.2727.32.301	on request
2 1/2"	30107.1300.01.2828.32.301	on request
3"	30107.1300.01.2929.32.301	on request
4"	30107.1300.01.3030.32.301	on request
6"	30107.1300.01.3232.32.301	on request

A-B-C-D



DN Inch	Reference Number	Price
1"	30107.1400.01.2424.32.301	on request
1 1/2"	30107.1400.01.2626.32.301	on request
2"	30107.1400.01.2727.32.301	on request
2 1/2"	30107.1400.01.2828.32.301	on request
3"	30107.1400.01.2929.32.301	on request
4"	30107.1400.01.3030.32.301	on request
6"	30107.140.01.3232.32.301	on request

A-C



DN Inch	Reference Number	Price
1"	30107.1500.01.2424.32.301	on request
1 1/2"	30107.1500.01.2626.32.301	on request
2"	30107.1500.01.2727.32.301	on request
2 1/2"	30107.1500.01.2828.32.301	on request
3"	30107.1500.01.2929.32.301	on request
4"	30107.1500.01.3030.32.301	on request
6"	30107.1500.01.3232.32.301	on request



For additional ports and/or other port configurations than standard please specify ports with letters. Port configurations in 360° possible.

RIEGER Hygienic Mix Proof Valve N22 is further development of the proven mix proof valve N1. They have the same features as the N1. In addition, another special feature regarding product safety, is the metal seat.

As our mix proof valves are used worldwide in a wide range of industries, we offer this valve type N22 in 2 variants, which can be extended on request.

Preferred areas of application

Europa:
Dairies/Breweries/Beverage Industry

USA:
Breweries/Beverage Industry



The functioning of the valve is clearly shown in this video.

The special feature of this mixproof valve is the rotating contour of the valve discs. Thanks to this contour, the upper valve discs seals mechanically in the housing seat, even if both O-Rings of the valve discs are defective. The medium of the lower valve line escapes as leakage through the lower valve disc and thus indicates damage to the O-rings. There is no mixing of the two product lines.



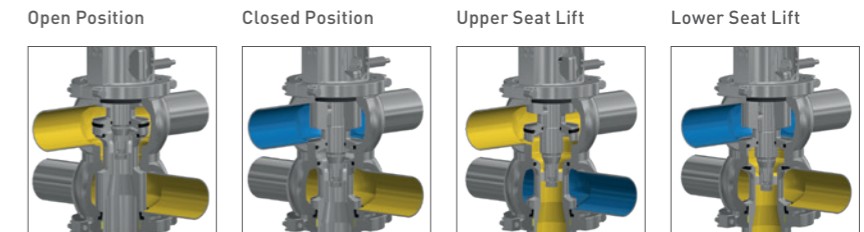
RIEGER Hygienic Mix Proof Valve N2 provide reliable protection for your product by leak-proof separating not compatible products. For years, they are invaluable in plants of beverage and brewing industry, the pharmaceutical industry as well as the food and dairy industry in USA. The design of its one piece valve body and the radial sealing of both valve seats along with the balanced valve disks enable a perfectly safe CIP/ IP cleaning, thus ensuring extremely high security for your products.



The special feature of this mixproof valve is the patented (PMO Patent 8,950,423) rotating contour of the valve discs.

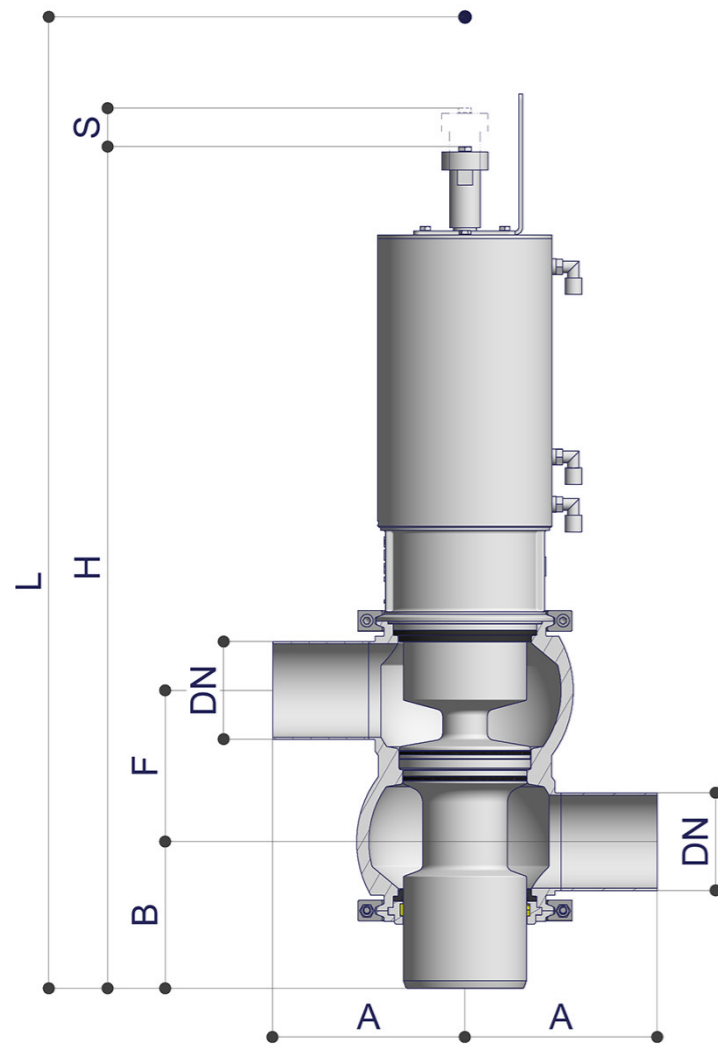


The functioning of the valve is clearly shown in this video.



Hygienic Mix Proof Valve N22 DIN

stroking without product loss, with seat lift



DN DIN	Dimension	A	B	F	H	L	Hub (S)	kg
40	41 x 1,5	100	88	78	549	752	31	17
50	53 x 1,5	125	99	80	567	789	34	18
65	70 x 2	125	111	95	603	860	37	31
80	85 x 2	150	119	110	657	944	44	33
100	104 x 2	150	128	129	695	1020	44	34
125	129 x 2	175	155,5	157	865	1260	53	60

Take the basic data from the table on the left. For different housing versions, please refer to the following pages.

Hygienic Mix Proof Valve N22 DIN

stroking without product loss, with seat lift

A-E



DN DIN	Reference Number	Price
40	32200.1100.01.0606.32	on request
50	32200.1100.01.0707.32	on request
65	32200.1100.01.0808.32	on request
80	32200.1100.01.0909.32	on request
100	32200.1100.01.1010.32	on request
125	32200.1100.01.1111.32	on request

A-B-C



DN DIN	Reference Number	Price
40	32200.1200.01.0606.32	on request
50	32200.1200.01.0707.32	on request
65	32200.1200.01.0808.32	on request
80	32200.1200.01.0909.32	on request
100	32200.1200.01.1010.32	on request
125	32200.1200.01.1111.32	on request

A-C-D



DN DIN	Reference Number	Price
40	32200.1300.01.0606.32	on request
50	32200.1300.01.0707.32	on request
65	32200.1300.01.0808.32	on request
80	32200.1300.01.0909.32	on request
100	32200.1300.01.1010.32	on request
125	32200.1300.01.1111.32	on request

A-B-C-D



DN DIN	Reference Number	Price
40	32200.1400.01.0606.32	on request
50	32200.1400.01.0707.32	on request
65	32200.1400.01.0808.32	on request
80	32200.1400.01.0909.32	on request
100	32200.1400.01.1010.32	on request
125	32200.1400.01.1111.32	on request

A-C



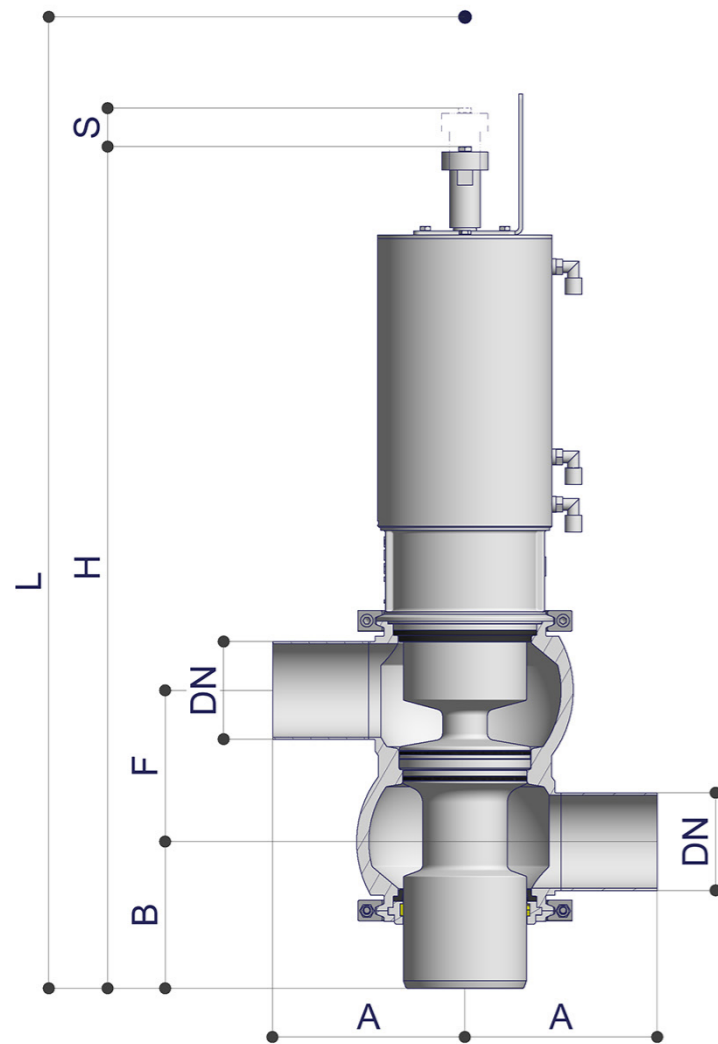
DN DIN	Reference Number	Price
40	32200.1500.01.0606.32	on request
50	32200.1500.01.0707.32	on request
65	32200.1500.01.0808.32	on request
80	32200.1500.01.0909.32	on request
100	32200.1500.01.1010.32	on request
125	32200.1500.01.1111.32	on request



For additional ports and/or other port configurations than standard please specify ports with letters. Port configurations in 360° possible.

Hygienic Mix Proof Valve N22 Inch

stroking without product loss, with seat lift



DN Inch	Dimension	A	B	F	H	L	Hub (S)	kg
1 1/2"	38,1 x 1,65	100	86	75	541	737	31	18
2"	50,8 x 1,65	125	97	83	567	789	34	18,5
2 1/2"	63,5 x 1,65	125	109	90	593	840	37	31
3"	76,2 x 1,65	150	115	118	657	944	44	32
4"	101,6 x 2,11	150	127	130	694	1018	44	35

Take the basic data from the table on the left. For different housing versions, please refer to the following pages.

Hygienic Mix Proof Valve N22 Inch

stroking without product loss, with seat lift

A-E



DN Inch	Reference Number	Price
1 1/2"	32200.1100.01.2626.32	on request
2"	32200.1100.01.2727.32	on request
2 1/2"	32200.1100.01.2828.32	on request
3"	32200.1100.01.2929.32	on request
4"	32200.1100.01.3030.32	on request

A-B-C



DN Inch	Reference Number	Price
1 1/2"	32200.1200.01.2626.32	on request
2"	32200.1200.01.2727.32	on request
2 1/2"	32200.1200.01.2828.32	on request
3"	32200.1200.01.2929.32	on request
4"	32200.1200.01.3030.32	on request

A-C-D



DN Inch	Reference Number	Price
1 1/2"	32200.1300.01.2626.32	on request
2"	32200.1300.01.2727.32	on request
2 1/2"	32200.1300.01.2828.32	on request
3"	32200.1300.01.2929.32	on request
4"	32200.1300.01.3030.32	on request

A-B-C-D



DN Inch	Reference Number	Price
1 1/2"	32200.1400.01.2626.32	on request
2"	32200.1400.01.2727.32	on request
2 1/2"	32200.1400.01.2828.32	on request
3"	32200.1400.01.2929.32	on request
4"	32200.1400.01.3030.32	on request

A-C



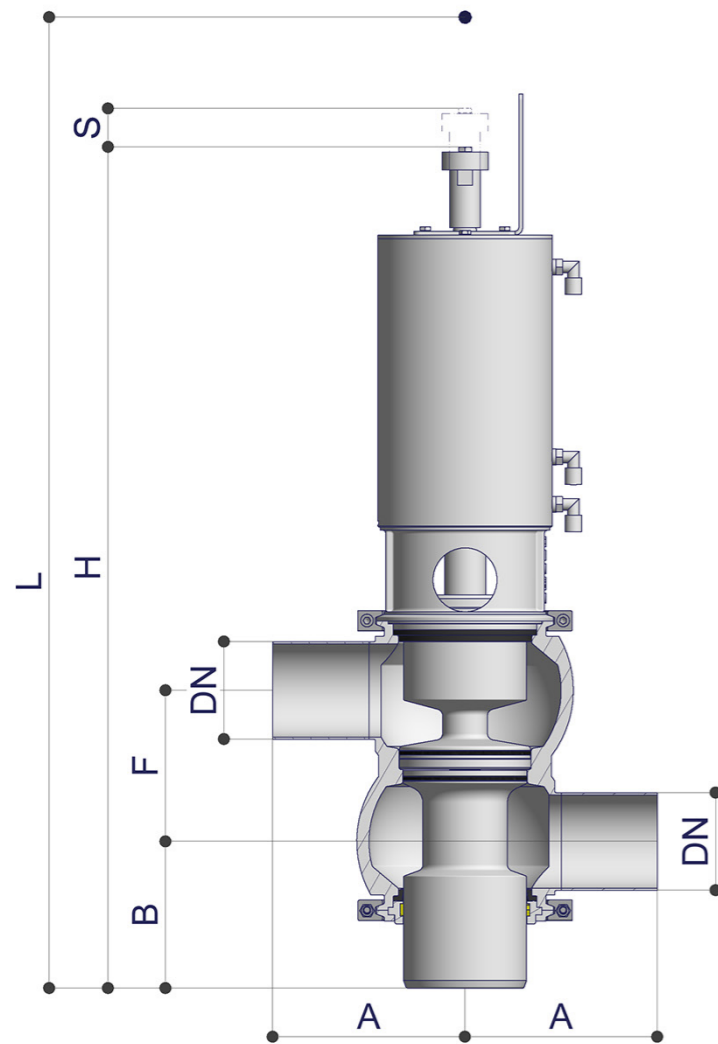
DN Inch	Reference Number	Price
1 1/2"	32200.1500.01.2626.32	on request
2"	32200.1500.01.2727.32	on request
2 1/2"	32200.1500.01.2828.32	on request
3"	32200.1500.01.2929.32	on request
4"	32200.1500.01.3030.32	on request



For additional ports and/or other port configurations than standard please specify ports with letters. Port configurations in 360° possible.

Hygienic Mix Proof Valve N22 Inch – 3-A Standard 85-03

stroking without product loss, with seat lift



DN Inch	Dimension	A	B	F	H	L	Hub (S)	kg
1 1/2"	38,1 x 1,65	100	86	75	541	737	31	18
2"	50,8 x 1,65	125	97	83	567	789	34	18,5
2 1/2"	63,5 x 1,65	125	109	90	593	840	37	31
3"	76,2 x 1,65	150	115	118	657	944	44	32
4"	101,6 x 2,11	150	127	130	694	1018	44	35

Take the basic data from the table on the left. For different housing versions, please refer to the following pages.

Hygienic Mix Proof Valve N22 Inch – 3-A Standard 85-03

stroking without product loss, with seat lift

A-E



DN Inch	Reference Number	Price
1 1/2"	32200.1100.01.2626.32.331	on request
2"	32200.1100.01.2727.32.331	on request
2 1/2"	32200.1100.01.2828.32.331	on request
3"	32200.1100.01.2929.32.331	on request
4"	32200.1100.01.3030.32.331	on request

A-B-C



DN Inch	Reference Number	Price
1 1/2"	32200.1200.01.2626.32.331	on request
2"	32200.1200.01.2727.32.331	on request
2 1/2"	32200.1200.01.2828.32.331	on request
3"	32200.1200.01.2929.32.331	on request
4"	32200.1200.01.3030.32.331	on request

A-C-D



DN Inch	Reference Number	Price
1 1/2"	32200.1300.01.2626.32.331	on request
2"	32200.1300.01.2727.32.331	on request
2 1/2"	32200.1300.01.2828.32.331	on request
3"	32200.1300.01.2929.32.331	on request
4"	32200.1300.01.3030.32.331	on request

A-B-C-D



DN Inch	Reference Number	Price
1 1/2"	32200.1400.01.2626.32.331	on request
2"	32200.1400.01.2727.32.331	on request
2 1/2"	32200.1400.01.2828.32.331	on request
3"	32200.1400.01.2929.32.331	on request
4"	32200.1400.01.3030.32.331	on request

A-C



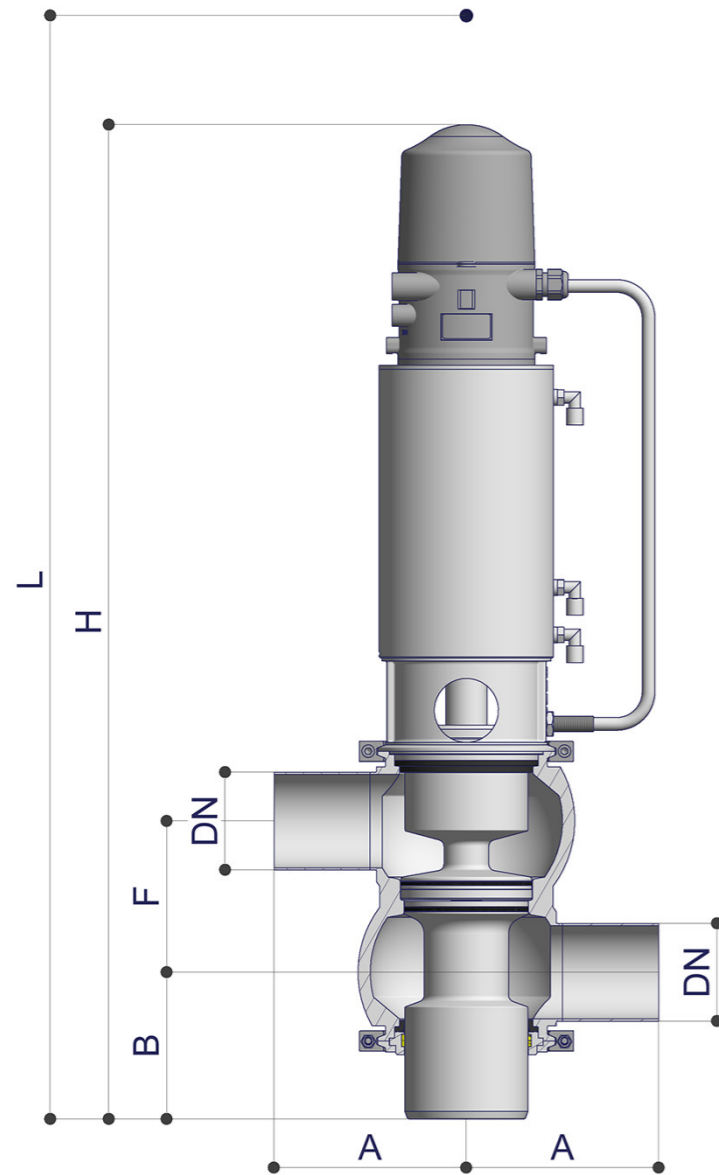
DN Inch	Reference Number	Price
1 1/2"	32200.1500.01.2626.32.331	on request
2"	32200.1500.01.2727.32.331	on request
2 1/2"	32200.1500.01.2828.32.331	on request
3"	32200.1500.01.2929.32.331	on request
4"	32200.1500.01.3030.32.331	on request



For additional ports and/or other port configurations than standard please specify ports with letters. Port configurations in 360° possible.

Hygienic Mix Proof Valve N2 DIN PMO 3-A Standard 85-03

stroking without product loss, with seat lift



DN DIN	Dimension	A	B	F	H	L	Hub (S)	kg
40	41 x 1,5	100	88	78	668	871	31	20
50	53 x 1,5	125	99	80	687	909	34,8	21
65	70 x 2	125	111	95	723	980	37,8	25
80	85 x 2	150	119	110	777	1064	44	35
100	104 x 2	150	128	129	815	1140	44	36
125	129 x 2	on request						

Take the basic data from the table on the left. For different housing versions, please refer to the right-hand side.

Hygienic Mix Proof Valve N2 DIN PMO 3-A Standard 85-03

stroking without product loss, with seat lift

A-E



DN DIN	Reference Number	Price
40	32100.1100.01.0606.32.301	on request
50	32100.1100.01.0707.32.301	on request
65	32100.1100.01.0808.32.301	on request
80	32100.1100.01.0909.32.301	on request
100	32100.1100.01.1010.32.301	on request
125	32100.1100.01.1111.32.301	on request

A-B-C



DN DIN	Reference Number	Price
40	32100.1200.01.0606.32.301	on request
50	32100.1200.01.0707.32.301	on request
65	32100.1200.01.0808.32.301	on request
80	32100.1200.01.0909.32.301	on request
100	32100.1200.01.1010.32.301	on request
125	32100.1200.01.1111.32.301	on request

A-C-D



DN DIN	Reference Number	Price
40	32100.1300.01.0606.32.301	on request
50	32100.1300.01.0707.32.301	on request
65	32100.1300.01.0808.32.301	on request
80	32100.1300.01.0909.32.301	on request
100	32100.1300.01.1010.32.301	on request
125	32100.1300.01.1111.32.301	on request

A-B-C-D



DN DIN	Reference Number	Price
40	32100.1400.01.0606.32.301	on request
50	32100.1400.01.0707.32.301	on request
65	32100.1400.01.0808.32.301	on request
80	32100.1400.01.0909.32.301	on request
100	32100.1400.01.1010.32.301	on request
125	32100.1400.01.1111.32.301	on request

A-C



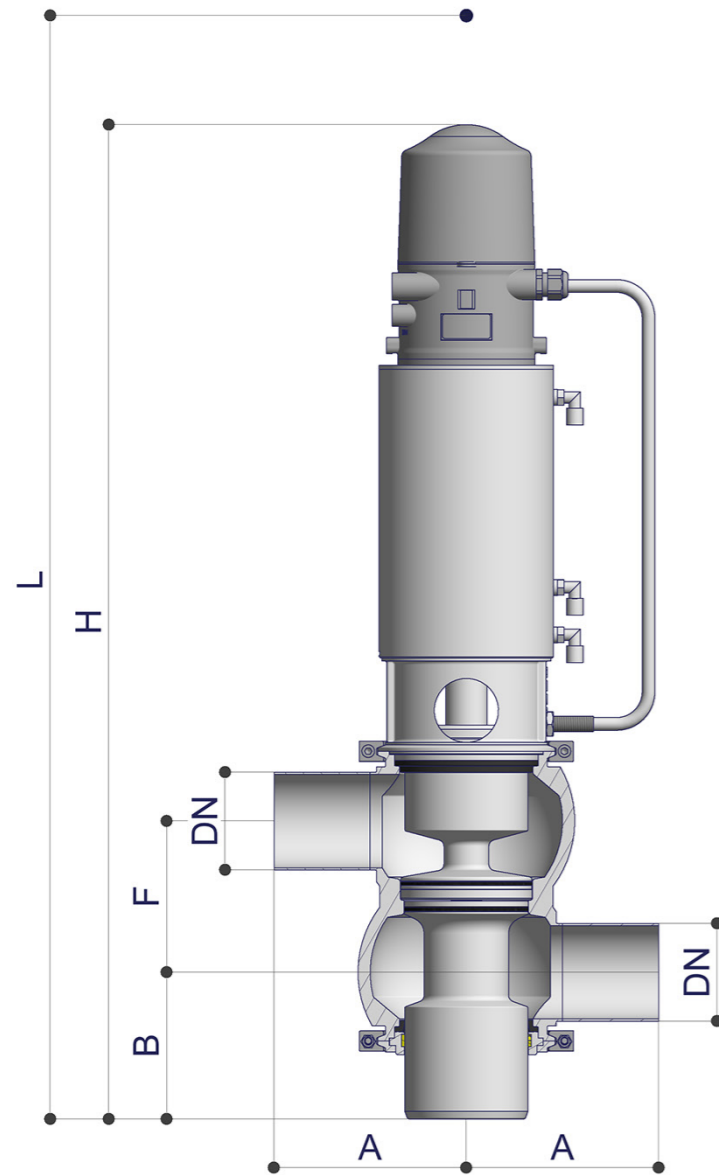
DN DIN	Reference Number	Price
40	32100.1500.01.0606.32.301	on request
50	32100.1500.01.0707.32.301	on request
65	32100.1500.01.0808.32.301	on request
80	32100.1500.01.0909.32.301	on request
100	32100.1500.01.1010.32.301	on request
125	32100.1500.01.1111.32.301	on request



For additional ports and/or other port configurations than standard please specify ports with letters. Port configurations in 360° possible.

Hygienic Mix Proof Valve N2 Inch PMO 3-A Standard 85-03

stroking without product loss



DN Inch	Dimension	A	B	F	H	L	Hub (S)	kg
1 1/2"	38,1 x 1,65	100	86	75	660	856	-	20
2"	50,8 x 1,65	125	97	83	686	908	-	20,5
2 1/2"	63,5 x 1,65	125	109	90	713	960	-	24
3"	76,2 x 1,65	150	115	102	760	1031	-	35
4"	101,6 x 2,11	150	127	130	813	1137	-	38

Take the basic data from the table on the left. For different housing versions, please refer to the right-hand side.

Hygienic Mix Proof Valve N2 Inch PMO 3-A Standard 85-03

stroking without product loss

A-E



DN Inch	Reference Number	Price
1 1/2"	32100.1100.01.2626.32.301	on request
2"	32100.1100.01.2727.32.301	on request
2 1/2"	32100.1100.01.2828.32.301	on request
3"	32100.1100.01.2929.32.301	on request
4"	32100.1100.01.3030.32.301	on request

A-B-C



DN Inch	Reference Number	Price
1 1/2"	32100.1200.01.2626.32.301	on request
2"	32100.1200.01.2727.32.301	on request
2 1/2"	32100.1200.01.2828.32.301	on request
3"	32100.1200.01.2929.32.301	on request
4"	32100.1200.01.3030.32.301	on request

A-C-D



DN Inch	Reference Number	Price
1 1/2"	32100.1200.01.2626.32.301	on request
2"	32100.1200.01.2727.32.301	on request
2 1/2"	32100.1200.01.2828.32.301	on request
3"	32100.1200.01.2929.32.301	on request
4"	32100.1200.01.3030.32.301	on request

A-B-C-D



DN Inch	Reference Number	Price
1 1/2"	32100.1400.01.2626.32.301	on request
2"	32100.1400.01.2727.32.301	on request
2 1/2"	32100.1400.01.2828.32.301	on request
3"	32100.1400.01.2929.32.301	on request
4"	32100.1400.01.3030.32.301	on request

A-C



DN Inch	Reference Number	Price
1 1/2"	32100.1500.01.2626.32.301	on request
2"	32100.1500.01.2727.32.301	on request
2 1/2"	32100.1500.01.2828.32.301	on request
3"	32100.1500.01.2929.32.301	on request
4"	32100.1500.01.3030.32.301	on request



For additional ports and/or other port configurations than standard please specify ports with letters. Port configurations in 360° possible.

The RIEGER Hygienic Mix Proof Valve N3 is a variant of the proven Mix proof valve N1, with which three process lines can be connected in a mix proof application. Mix proof valves N3 have the same features as the N1, which you will find in detail at the beginning of this chapter.

The special feature of this Mix Proof Valve N3 is its fluidic design. Therefore, it was successfully „typed-tested“ at the Technical University of Munich in Freising.



Zertified according to the „Kieler guideline“.

The typ test, which was carried out in accordance with earlier type test of leakage change over valves, is intended to document the technical standard of the valve and prove its functionality. The test was carried out on the basis of the 1998 Guidelines of the heater committee „Measuring, Control, Monitoring and Safety Equipment for Milk and Heating Plants“ (Point 5 – Switching Equipment).

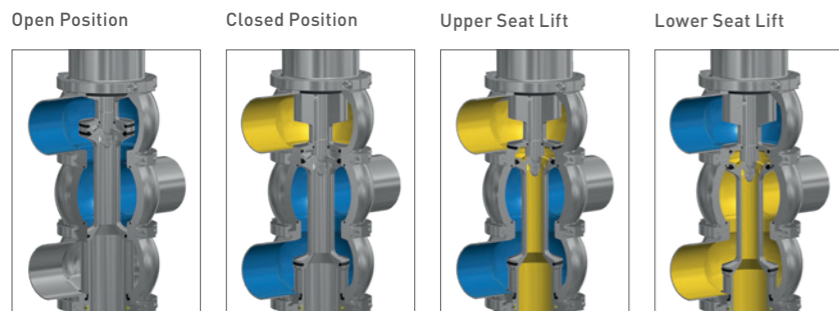
In addition, the current state of knowledge and technology was taken into account.

Quote of the report on the type test: „The valve does not have any dead spaces or other hard-to-reach places in the vertical installation position. Complete residual drainability is given.“

You can find the latest certificates at: rr-rieger.com/downloads



You are interested in the technology?
Scan the QR Code
The functioning of the N3 valve is clearly shown in this video.



The Rieger Hygienic Mix Proof Tank Outlet Valve is the Tank Bottom Seat version of our Mix Proof Valves. It is available with one or two ports as well as with a lose or a machined weld-in flange.

For horizontal build in positions we recommend the version N52.



N52
with tube connection and large leakage chamber



N52
horizontal Tank Bottom Seat Valve with Varivent connection

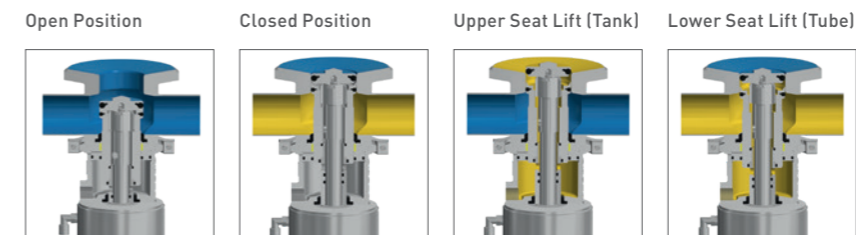
Versions

With machined weld-in flange or separate weld-in flange and also available with only one port at valve body.

Also available in 3-A version.

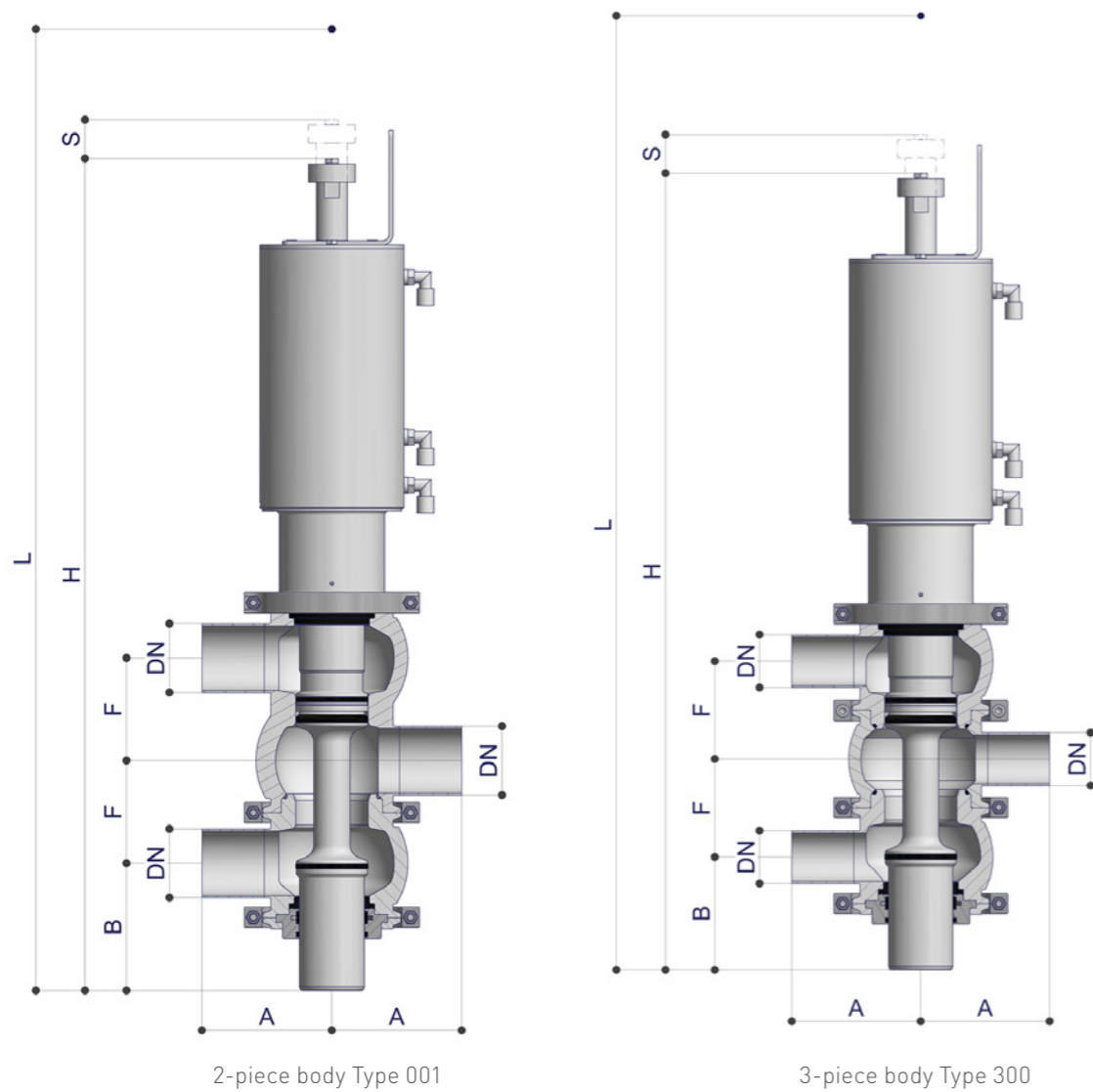


with machined weld-in flange



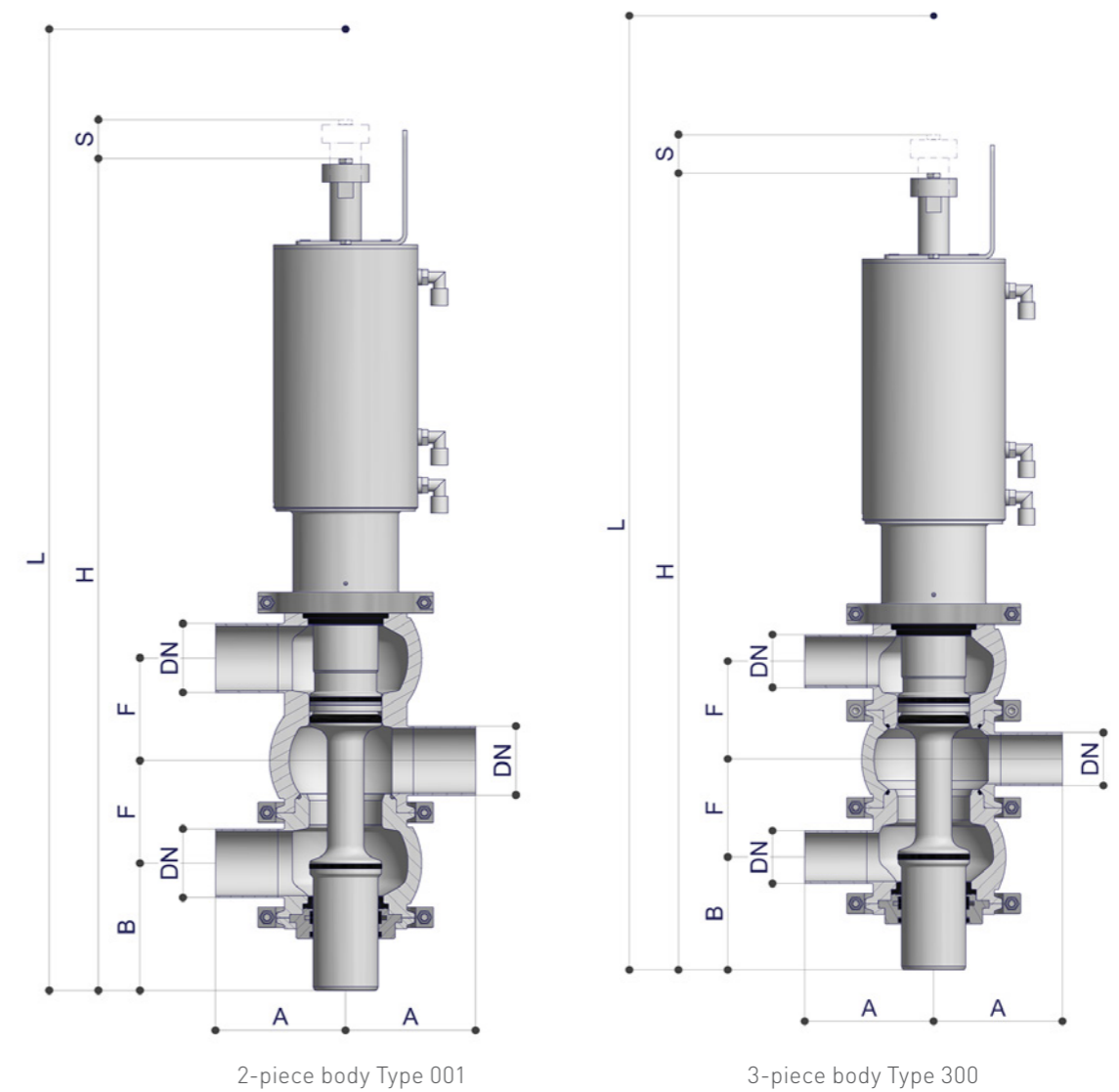
Hygienic Mix Proof Change Over Valve N3 DIN

stroking without product loss, with upper and lower seat lift – Type N3.01



Hygienic Mix Proof Change Over Valve NV3 Inch

stroking without product loss, with upper and lower seat lift – Type NV3.01



DN DIN	Dimension	Type 001							Type 300			
		A	B	F	H	L	Hub (S)	kg	Reference Number	Price	Reference Number	Price
25	29 x 1,5	70	77	75	562	819	27	13	30300.2800.01.0404.32	on request	30300.3700.01.0404.32	on request
40	41 x 1,5	100	87	76	618	894	30	21	30300.2800.01.0606.32	on request	30300.3700.01.0606.32	on request
50	53 x 1,5	100	98	79	640	938	34	23	30300.2800.01.0707.32	on request	30300.3700.01.0707.32	on request
65	70 x 2	100	109	95	693	1043	37	24	30300.2800.01.0808.32	on request	30300.3700.01.0808.32	on request
80	85 x 2	125	124	110	770	1172	44	38	30300.2800.01.0909.32	on request	30300.3700.01.0909.32	on request
100	104 x 2	150	133	129	827	1286	44	42	30300.2800.01.1010.32	on request	30300.3700.01.1010.32	on request
125	129 x 2	175	152	157	1019	1568	53	80	30300.2800.01.1111.32	on request	30300.3700.01.1111.32	on request
150	154 x 2	175	170	182	1083	1714	56	95	30300.2800.01.1212.32	on request	30300.3700.01.1212.32	on request

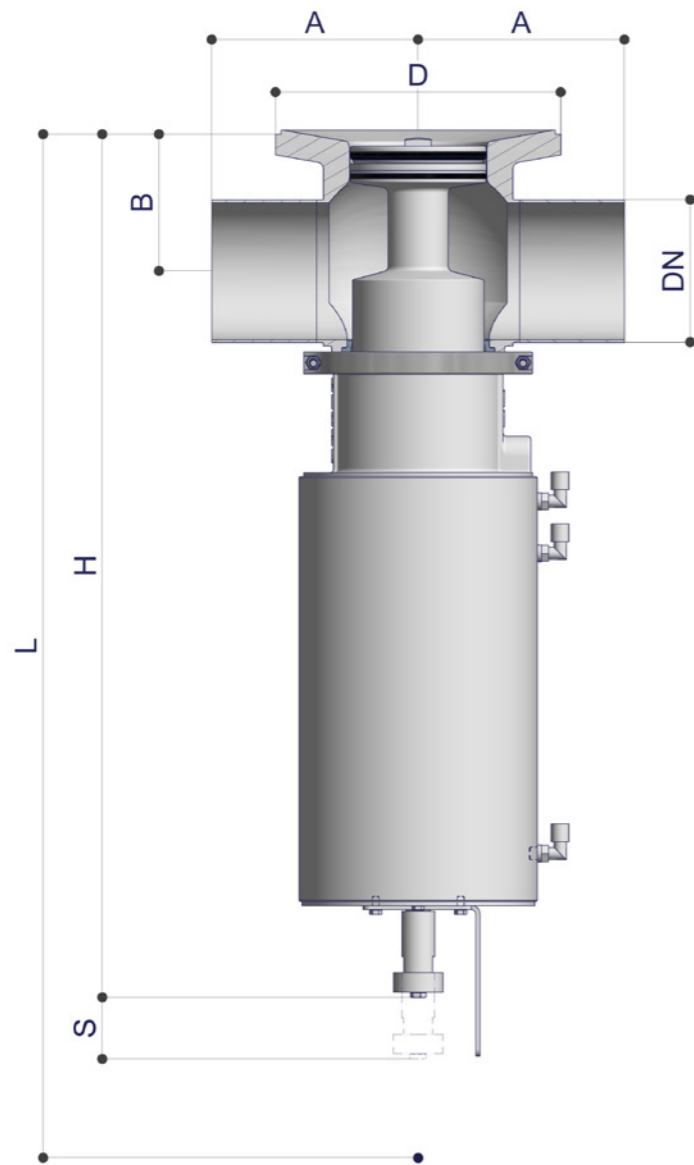
In case of order, your get a 3D step file for design department.

DN Inch	Dimension	Type 001							Type 300					
		A	B	F	H	L	Hub (S)	kg	Reference Number	Price	Reference Number	Price		
1"	25,4 x 1,65	On request									30307.2800.01.2424.32	on request	30307.3700.01.2424.32	on request
1 1/2"	38,1 x 1,65	100	83,75	73	607	872	29	21	30307.2800.01.2626.32	on request	30307.3700.01.2626.32	on request		
2"	50,8 x 1,65	100	94,5	77	632	922	33	22	30307.2800.01.2727.32	on request	30307.3700.01.2727.32	on request		
2 1/2"	63,5 x 1,65	100	108	89	676	1009	37	24	30307.2800.01.2828.32	on request	30307.3700.01.2828.32	on request		
3"	76,2 x 1,65	125	117,5	102	744	1119	44	40	30307.2800.01.2929.32	on request	30307.3700.01.2929.32	on request		
4"	101,6 x 2,11	150	131	126	818	1268	44	43	30307.2800.01.3030.32	on request	30307.3700.01.3030.32	on request		

In case of order, your get a 3D step file for design department.
On request valve body also available with only 1 port.

Hygienic Mix Proof Bottom Seat Valve N5 DIN

stroking without product loss – Type N5.02.450
 tank connection: turned on weld-in flange

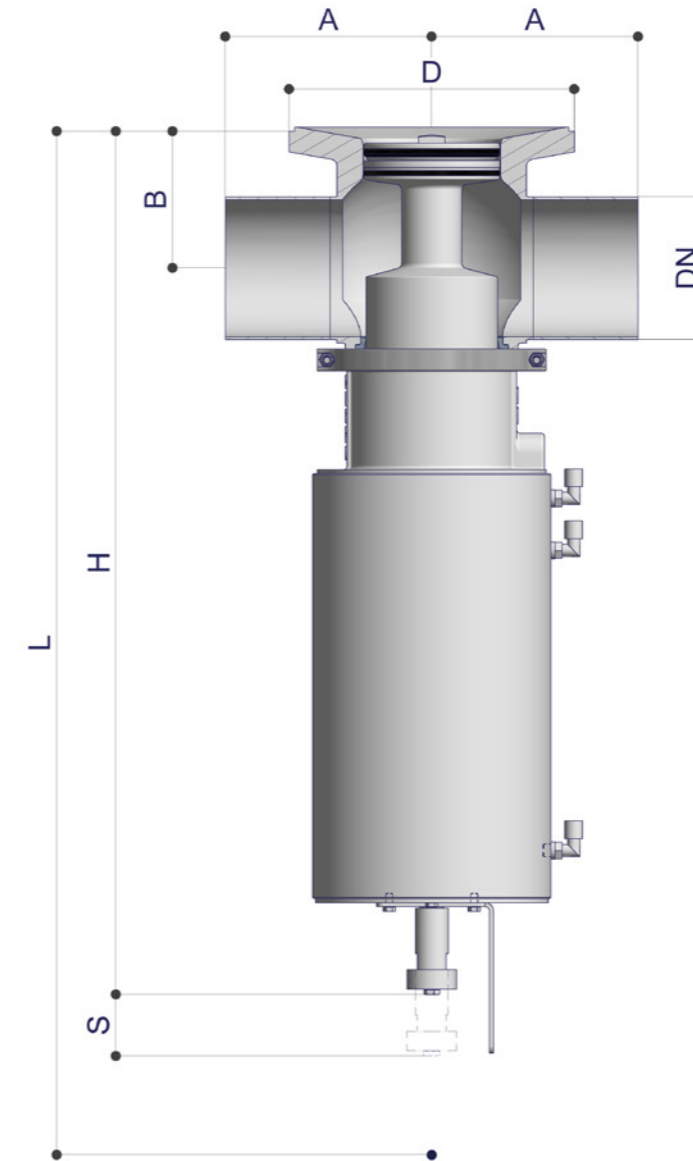


DN DIN	Dimension	A	B	D	H	L	Hub (S)	kg	Reference Number	Price
25	29 x 1,5	85	67	133	440	540	33	16	30500.1120.01.0404.32	on request
40	41 x 1,5	100	61	133	440	540	33	16	30500.1120.01.0606.32	on request
50	53 x 1,5	100	56	146	441	542	33	17	30500.1120.01.0707.32	on request
65	70 x 2	100	65	158	458	575	37	18	30500.1120.01.0808.32	on request
80	85 x 2	124,5	81,5	178	520	665	44	27	30500.1120.01.0909.32	on request
100	104 x 2	150,5	100	208	630	795	44	45	30500.1120.01.1010.32	on request

In case of order, you get a 3D step file for design department.
 For maximum product pressure of 4 bar on tank side and 10 bar on pipe side.

Hygienic Mix Proof Bottom Seat Valve N5 Inch

stroking without product loss – Type N5.02.450
 tank connection: turned on weld-in flange



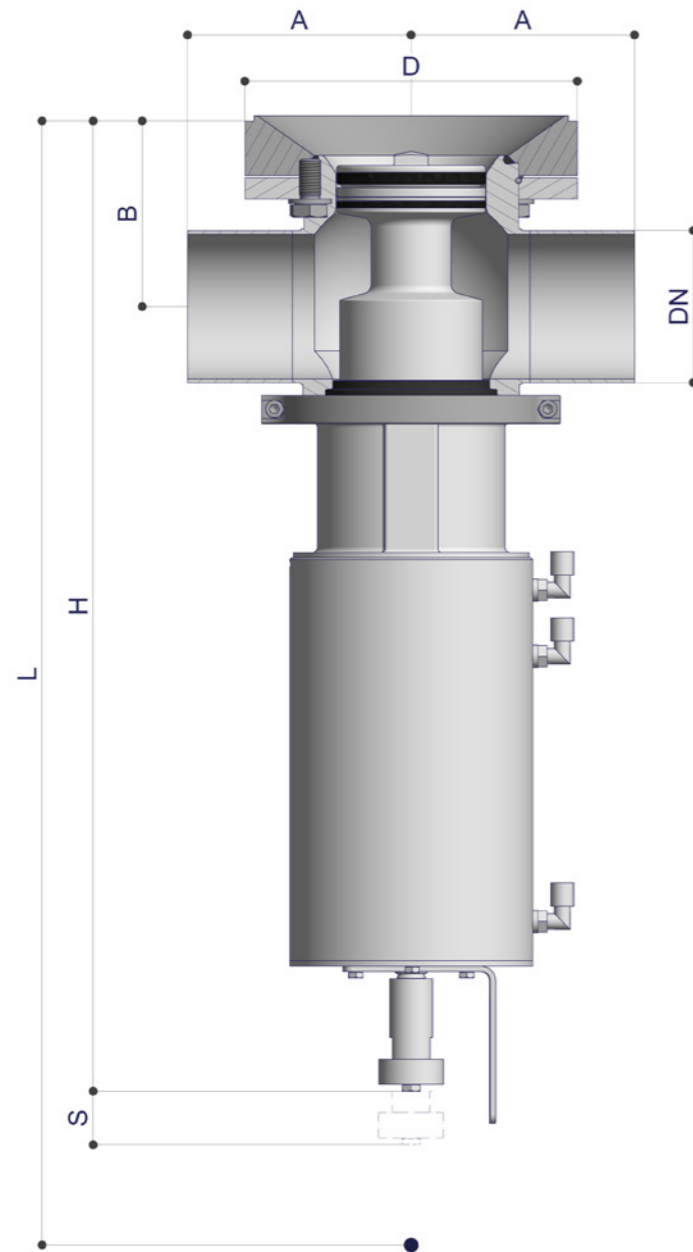
DN Inch	Dimension	A	B	D	H	L	Hub (S)	kg	Reference Number	Price
1"	25,4 x 1,65	86,5	69	133	440	540	33	16	30500.1120.01.2424.32	on request
1 1/2"	38,1 x 1,65	100	62,4	133	440	540	33	16	30500.1120.01.2626.32	on request
2"	50,8 x 1,65	100	57	146	441	542	33	17	30500.1120.01.2727.32	on request
2 1/2"	63,5 x 1,65	100	68	158	458	575	37	18	30500.1120.01.2828.32	on request
3"	76,2 x 1,65	125	85,5	178	520	665	44	27	30500.1120.01.2929.32	on request
4"	101,6 x 2,11	150	101	208	630	795	44	45	30500.1120.01.3030.32	on request

In case of order, you get a 3D step file for design department.
 For maximum product pressure of 4 bar on tank side and 10 bar on pipe side.

Hygienic Mix Proof Bottom Seat Valve N5 DIN

stroking without product loss – Type N5.02.950

tank connection: separate weld-in flange



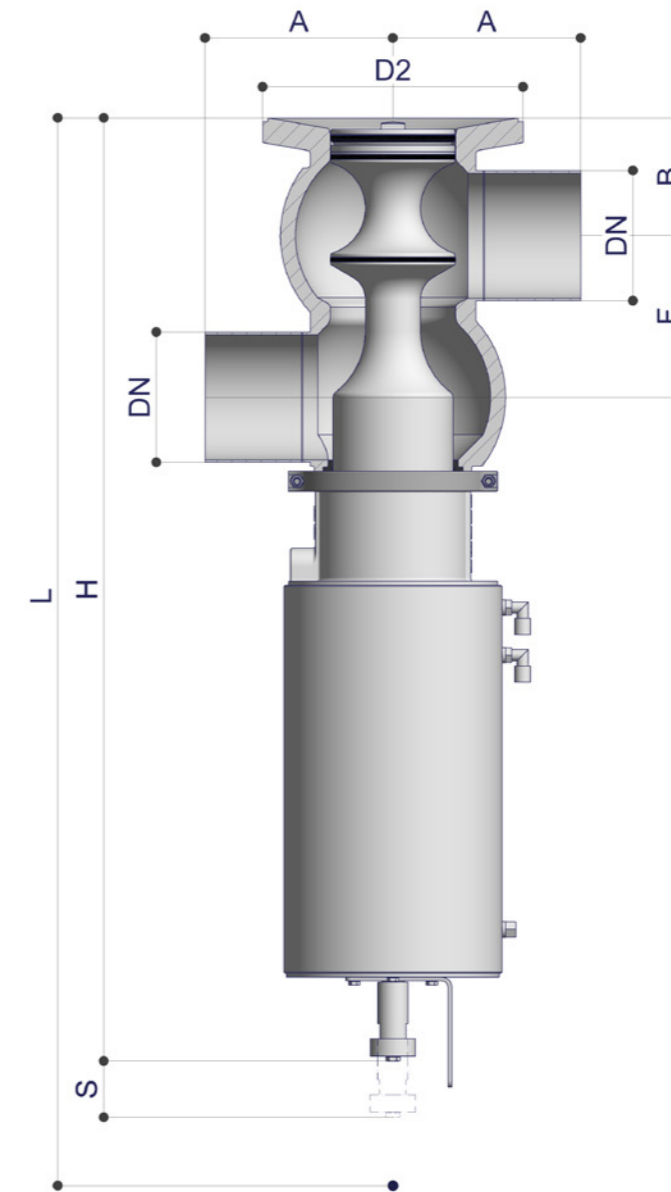
DN DIN	Dimension	A	B	D	H	L	Hub (S)	kg	Reference Number	Price
25	29 x 1,5	85	86	176	460	560	33	21	30500.1140.01.0404.32	on request
40	41 x 1,5	on request							30500.1140.01.0606.32	on request
50	53 x 1,5	100	74	176	460	560	33	22	30500.1140.01.0707.32	on request
65	70 x 2	100	82	173	475	592	37	23	30500.1140.01.0808.32	on request
80	85 x 2	125	104	186	543	687	44	30	30500.1140.01.0909.32	on request
100	104 x 2	on request							30500.1140.01.1010.32	on request

In case of order, you get a 3D step file for design department.
For maximum product pressure of 4 bar on tank side and 10 bar on pipe side.
Valve in inch version available on request.

Hygienic Mix Proof Bottom Seat Change Over Valve N9 DIN

stroking without product loss – Type N9.01.001

tank connection: turned on weld-in flange



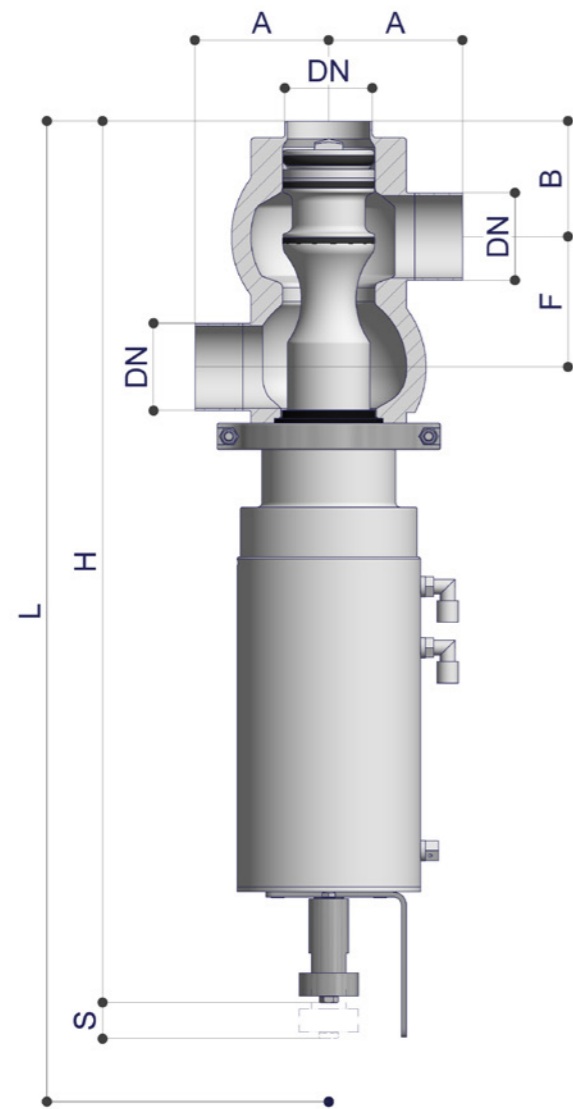
DN DIN	Dimension	A	B	F	D	H	L	Hub (S)	kg	Reference Number	Price
40	41 x 1,5	100	51	76	146	506	673	33	20	30900.1120.01.0606.32	on request
50	53 x 1,5	100	56	79	146	520	700	33	21	30900.1120.01.0707.32	on request
65	70 x 2	100	65	95	158	554	765	36	22	30900.1120.01.0808.32	on request
80	85 x 2	125	81,5	110	178	628	882	44	35	30900.1120.01.0909.32	on request
100	104 x 2	150	91	129	208	750	1037	44	55	30900.1120.01.1010.32	on request

In case of order, you get a 3D step file for design department.
For maximum product pressure of 4 bar on tank side and 10 bar on pipe side.

Hygienic Mix Proof Bottom Seat Change Over Valve N9 DIN

stroking without product loss – Type N9.01.150

tank connection: weld end



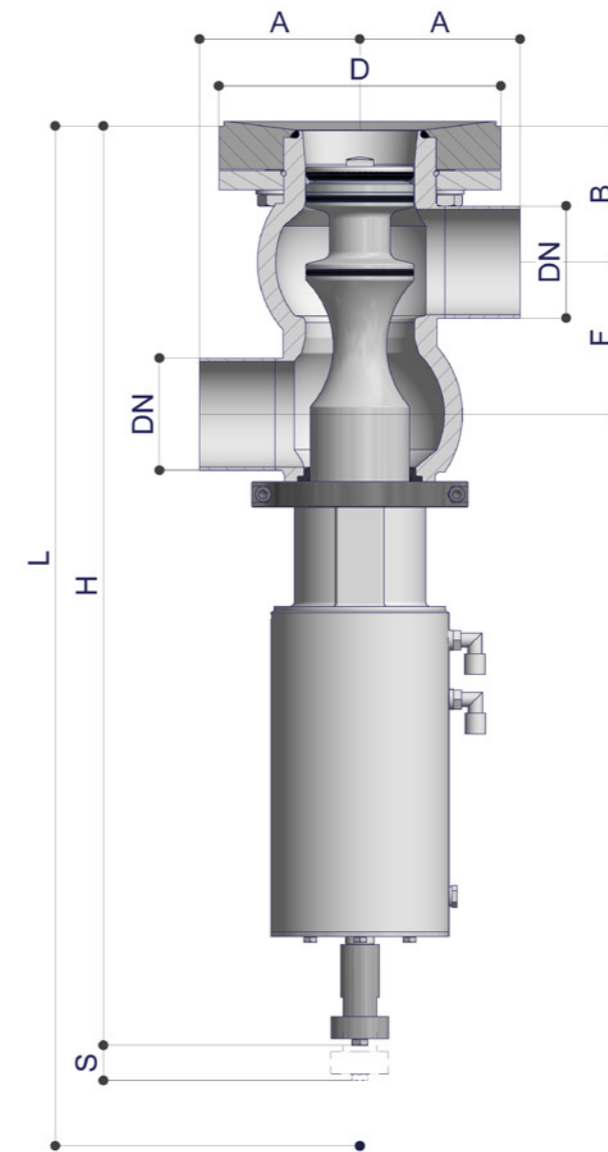
DN DIN	Dimension	A	B	F	H	L	Hub (S)	kg	Reference Number	Price
50/40	41 x 1,5	85	98	79	556	737	33	19,8	30900.1110.01.0606.32	on request
50	53 x 1,5	100	70	79	534	715	33	20	30900.1110.01.0707.32	on request
65	70 x 2	100	85	95	573	785	37	21	30900.1110.01.0808.32	on request
80	85 x 2	125	120	110	666	921	45	34	30900.1110.01.0909.32	on request
100	104 x 2	150	128	129	787	1074	44	52	30900.1110.01.1010.32	on request

In case of order, your get a 3D step file for design department.
For maximum product pressure of 4 bar on tank side and 10 bar on pipe side.

Hygienic Mix Proof Bottom Seat Change Over Valve N9 DIN

stroking without product loss – Type N9.01.200

tank connection: separate weld-in flange

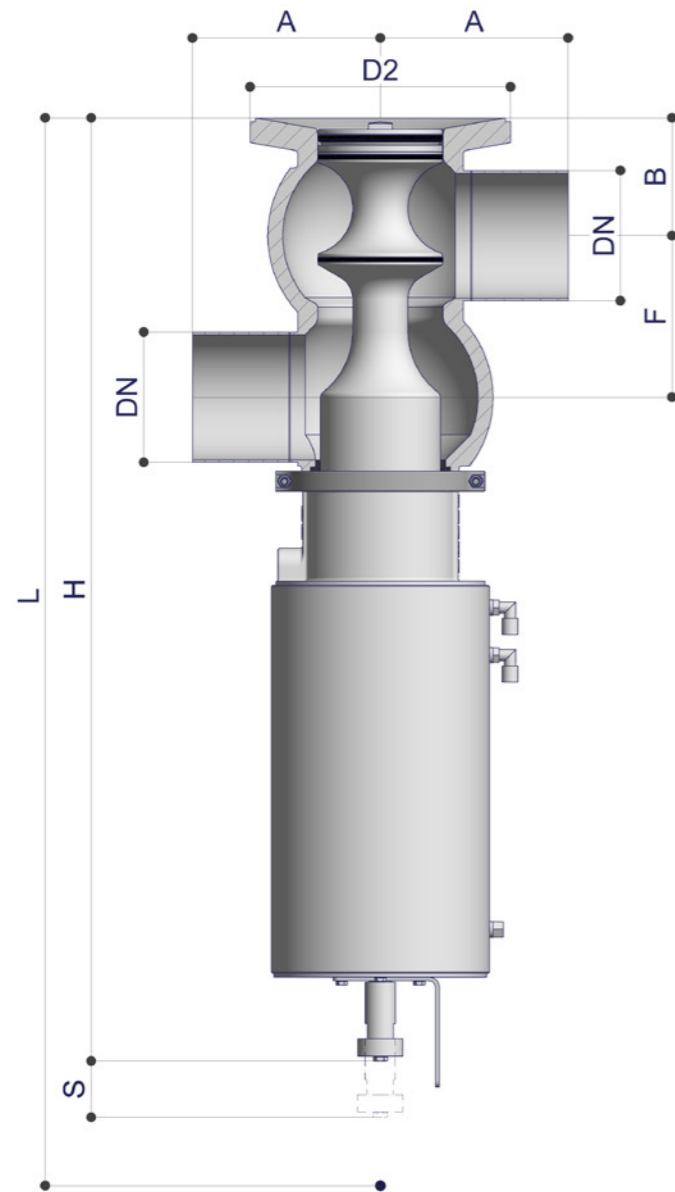


DN DIN	Dimension	A	B	F	D	H	L	Hub (S)	kg	Reference Number	Price
40	41 x 1,5	100	71	76	166	526	693	33	24	30900.1140.01.0606.32	on request
50	53 x 1,5	100	76	79	166	540	721	33	25	30900.1140.01.0707.32	on request
65	70 x 2	100	85	95	176	574	785	36	28	30900.1140.01.0808.32	on request
80	85 x 2	125	92	110	209	637	892	45	42	30900.1140.01.0909.32	on request
100	104 x 2	on request									

In case of order, your get a 3D step file for design department.
For maximum product pressure of 4 bar on tank side and 10 bar on pipe side.
Valve in inch version available on request.

Hygienic Mix Proof Bottom Seat Change Over Valve N9 Inch

stroking without product loss – Type N9.01.001
 tank connection: turned on weld-in flange

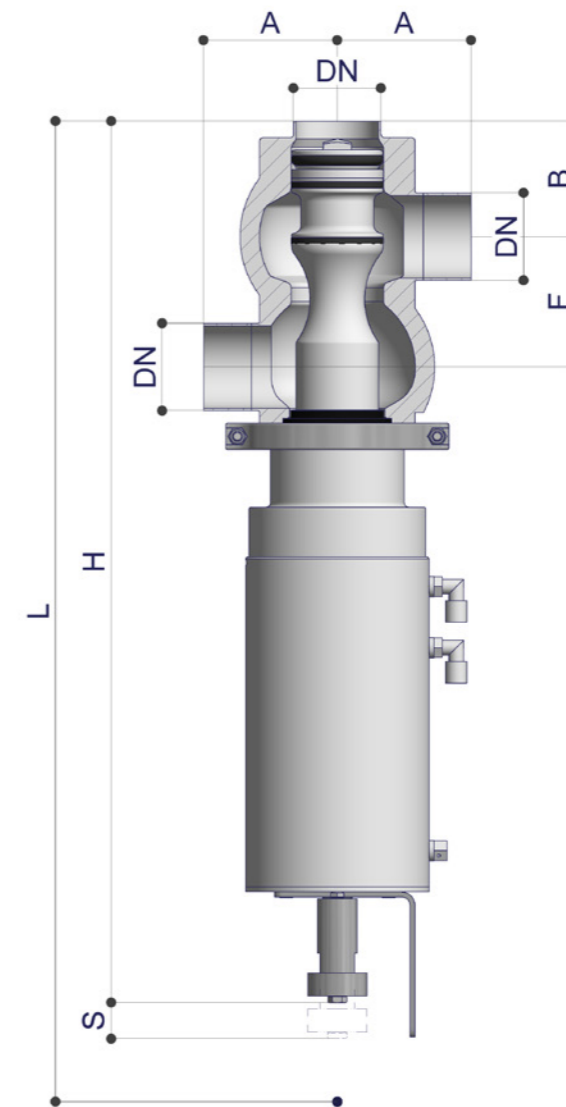


DN Inch	Dimension	A	B	F	D	H	L	Hub (S)	kg	Reference Number	Price
1 1/2"	38,1 x 1,65	100	52,5	76	146	506	673	33	20	30900.1120.01.2626.32	on request
2"	50,8 x 1,65	100	57	79	146	520	701	33	20	30900.1120.01.2727.32	on request
2 1/2"	63,5 x 1,65	100	68	95	158	553	765	37	23	30900.1120.01.2828.32	on request
3"	76,2 x 1,65	125	85,5	110	178	628	882	44	35	30900.1120.01.2929.32	on request
4"	101,6x2,11	150	92	129	208	750	1039	44	55	30900.1120.01.3030.32	on request

In case of order, your get a 3D step file for design department.
 For maximum product pressure of 4 bar on tank side and 10 bar on pipe side.

Hygienic Mix Proof Bottom Seat Change Over Valve N9 Inch

stroking without product loss – Type N9.01.150
 tank connection: weld end



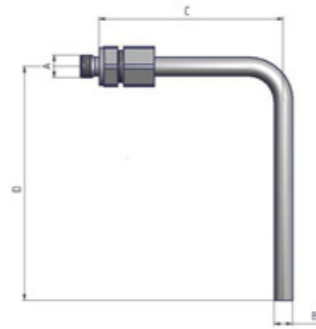
DN Inch	Dimension	A	B	F	D	H	L	Hub (S)	kg	Reference Number	Price
1 1/2"	38,1 x 1,65	on request								30900.1110.01.2626.32	on request
2"	50,8 x 1,65	100	77,5	79	166	540	735	33	25	30900.1110.01.2727.32	on request
2 1/2"	63,5 x 1,65	on request								30900.1110.01.2828.32	on request
3"	76,2 x 1,65	on request								30900.1110.01.2929.32	on request
4"	101,6x2,11	on request								30900.1110.01.3030.32	on request

In case of order, your get a 3D step file for design department.
 For maximum product pressure of 4 bar on tank side and 10 bar on pipe side.

Leakage Drain

for leakage ports

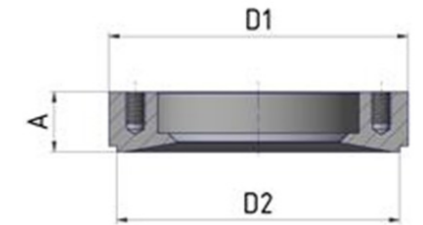
A (Inch)	B	C	D	Reference Number	Price
3/8"	12 x 1,5	71,5	100	5030038	on request



Weld-in Flanges

for Mix Proof Valve N5 – with EPDM O-ring and screws

DIN	A	D1	D2	kg	Reference Number	Price
25	same as DN 50					
40	same as DN 50					
50	30	176	170	3	30500.0000.01.0007.31	on request
65	30	173	165	3	30500.0000.01.0008.31	on request
80	33,5	186	176	3,3	30500.0000.01.0009.31	on request
100	34	217	209	4,8	30500.0000.01.0010.31	on request

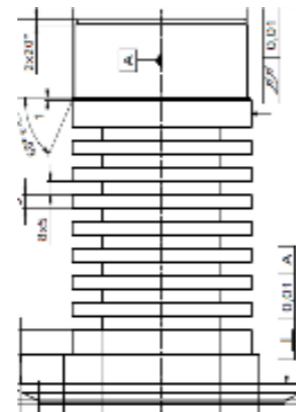


/ Material 1.4404
/ for tank wall thickness up to 4 mm
/ Price inclusive EPDM O-ring and screws

Weld-in tool for drilled weld-in flange

for Mix Proof Valve N5

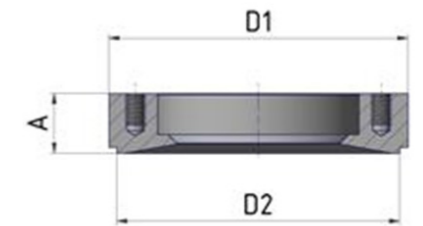
DIN	Reference Number	Price
25	same as DN 50	
40	same as DN 50	
50	5006628	on request
65	5006444	on request
80	5006659	on request
100	5006342	on request



Weld-in Flanges

for Mix Proof Valve N9 – with EPDM O-ring and screws

DIN	A	D1	D2	kg	Reference Number	Price
50	30	166	160	3,7	30900.0000.01.0007.31	on request
65	30	176	170	3,8	30900.0000.01.0008.31	on request
80	33,5	209	200	6	30900.0000.01.0009.31	on request
100	on request				30900.0000.01.0010.31	on request

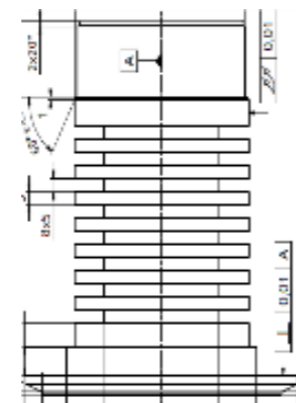


/ Material 1.4404
/ for tank wall thickness up to 4 mm
/ Price inclusive EPDM O-ring and screws

Weld-in tool for drilled weld-in flange

for Mix Proof Valve N9

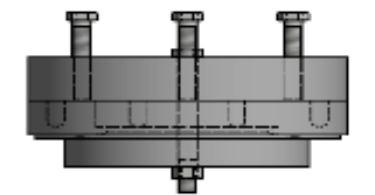
DIN	Reference Number	Price
40	5007266	on request
50	5007267	on request
65	5007268	on request
80	5007265	on request
100	5007269	on request



Weld-in tool for separate weld-in flange

for Mix Proof Valve N5

DIN	Reference Number	Price
40	same as DN 50	
50	N5.02.922-07-0	on request
65	N5.02.922-08-0	on request
80	N5.02.922-09-0	on request
100	N5.02.911-10-0	on request



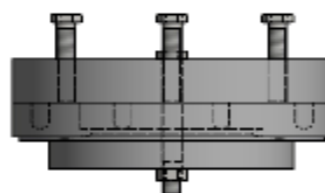
not discountable

not discountable

Weld-in tool for separate weld-in flange

for Mix Proof Valve N9

DIN	Reference Number	Price
50	5007252	on request
65	5007251	on request
80	5005518	on request
100	5007250	on request



/ not discountable

O-Ring for Weld-in Flange

for Mix Proof Valve N5

DIN	EPDM			HNBR	
	Dimension	Reference Number	Price	Reference Number	Price
25	same as DN 50				
40	same as DN 50				
50	75 x 5	1001712	on request	1001923	on request
65	82 x 5	1002092	on request	1001934	on request
80	102 x 5	1000715	on request	1000112	on request
100	on request				

O-Ring for Weld-in Flange

for Mix Proof Valve N9

DIN	EPDM			HNBR	
	Dimension	Reference Number	Price	Reference Number	Price
40	gleich wie DN 50				
50	58 x 5	1000115	on request	1002226	on request
65	75 x 5	1001712	on request	1001923	on request
80	on request				
100	on request				

Gasket Kits for Hygienic Mix Proof Valve N1

Product side

DIN	EPDM		FKM		HNBR	
	Reference Number	Price	Reference Number	Price	Reference Number	Price
25	5003093	on request	5006629	on request	5009251	on request
40	5002299	on request	5004015	on request	5003168	on request
50	5002299	on request	5004015	on request	5003168	on request
65	5002291	on request	5004014	on request	5003425	on request
80	5002302	on request	5005419	on request	5003510	on request
100	5002436	on request	5005421	on request	5006953	on request
125	5003886	on request	on request			
150	5006339	on request	on request			

Gasket Kits for Hygienic Mix Proof Valve N22 and N2 PMO 3A

Product side

DIN	DIN		Inch	
	Reference Number	Price	Reference Number	Price
40	5006650	on request	5007038	on request
50	5006650	on request	5007024	on request
65	5006175	on request	5007031	on request
80	5006176	on request	5007025	on request
100	5006649	on request	5007039	on request
125	on request			
150	on request			

Gasket Kits for Hygienic Mix Proof Change Over Valve N3 two-piece

Product side

DIN	EPDM		FKM		HNBR	
	Reference Number	Price	Reference Number	Price	Reference Number	Price
25	5009292	on request	5009824	on request	5003719	on request
40	5003718	on request	5005562	on request	5009816	on request
50	5003718	on request	5005562	on request	5009816	on request
65	5004688	on request	5009455	on request	5009246	on request
80	5004211	on request	5009829	on request	5009819	on request
100	5006912	on request	5009830	on request	5009820	on request
125	on request					
150	on request					

Gasket Kits for Hygienic Mix Proof Change Over Valve N3 three-part

Product side

DIN	EPDM		FKM		HNBR	
	Reference Number	Price	Reference Number	Price	Reference Number	Price
25	5009293	on request	5009834	on request	5009864	on request
40	5003768	on request	5009836	on request	5009866	on request
50	5003768	on request	5009836	on request	5009866	on request
65	5006932	on request	5009838	on request	5009250	on request
80	5006933	on request	5009839	on request	5009869	on request
100	5006934	on request	5009840	on request	5009870	on request
125	on request					
150	on request					

Gasket Kits for Hygienic Mix Proof Bottom Seat Valve N5

Product side – Tank connection: drilled weld-in flange

EPDM			HNBR	
DIN	Reference Number	Price	Reference Number	Price
25	5002097	on request	5005654	on request
40	5002097	on request	5005654	on request
50	5002097	on request	5005654	on request
65	5004767	on request	5007151	on request
80	5006702	on request	5009809	on request
100	5006703	on request	5006952	on request

Gasket Kits for Hygienic Mix Proof Bottom Seat Change Over Valve N9

Product side – Tank connection: drilled weld-in flange

EPDM			HNBR	
DIN	Reference Number	Price	Reference Number	Price
40	5001763	on request	5009846	on request
50	5001763	on request	5009846	on request
65	5001749	on request	5005520	on request
80	5001326	on request	5009849	on request
100	5001751	on request	5009850	on request