

CHAPTER 2 HYGIENIC SINGLE SEAT VALVES

- Page 2.4 ESV Hygienic Right Angle Valves
- Page 2.6 ESV Hygienic Double Right Angle Valves
- Page 2.8 ESV Hygienic Cross Valves
- Page 2.9 ESV Hygienic Right Angle Valves – three-position actuator
- Page 2.9 ESV Hygienic Double Right Angle Valves – three-position actuator
- Page 2.10 ESV Hygienic Change Over Valves
- Page 2.20 ESV Hygienic Bottom Seat Valves
- Page 2.30 ESV Hygienic Inclined Seat Valves
- Page 2.32 ESV Hygienic Regulating Valves
- Page 2.34 ESV Gasket Kits
- Page 2.36 Accessories

- Page 2.39 LCV Hygienic Right Angle Valves
- Page 2.40 LCV Hygienic Double Right Angle Valves
- Page 2.41 LCV Hygienic Change-Over Valves
- Page 2.45 LCV Hygienic Inclined Seat Valves
- Page 2.46 LCV Gasket Kits
- Page 2.47 Spare Actuators for LCV Valves



Life Cycle Valve LCV

- / Stroke: 19,5mm (DN 50)
- / maintenance free actuator
- / valve for standard applications with basic requirements



Standard Single Seat Valve ESV

- / Stroke: 22mm (DN 50)
- / maintainable actuator



Single Seat Valve with Balancer BC

- / Stroke: 22mm (DN 50)
- / balanced valve disk
- / waterhammer safe during closing
- / maintainable actuator



ESV STANDARD SINGLE SEAT VALVE



RIEGER ESV Single Seat Valves are used, when a maximum level of productivity, safety and quality is requested. They are found in production plants of the dairy industry and the food industry, the pharmaceutical and the chemical industry and biotechnology.

The advanced valve concept, proven a thousand times in daily use, guarantees high flexibility within the individual series. RIEGER ESV hygienic single seat valves guarantee our customers the perfect problem solution for their liquid products.

Thanks to the modular system, the switch from hygienic- to aseptic-design, from „air-opening“ to „air-closing“ is possible without any problems. The construction measures can also be adapted to the conditions on site.



Long Stroke Valve LS

- / Stroke: 38mm (DN 50)
- / larger stroke
- / maintainable actuator



Full Stroke Valve FS

- / Stroke: 49 mm (DN 50)
- / 100% open passage
- / maintainable actuator

We adapt our valves to your process.

From our planning via design up to maintenance.

CONSTRUCTION OF THE VALVE

- / massive valve housing
- / no dead spaces
- / completely draining
- / many possible installation orientations

SERVICEABILITY

- / exchange of gaskets without special tools
- / optimal to clean
- / actuators completely maintainable
- / rebuild of actuators from spring to close (NC) to spring to open (NO) and vice versa possible
- / low requirement of air supply
- / insert of valve can be completely disassembled to the top

ABSOLUTE PRODUCT SAFETY

- / bodies made of solid bar provide higher product safety
- / technically vacuum safe
- / safely chambered profile gasket at the spindle of our Hygienic Single Seat Valves fulfills the function of a gasket and a wiper
- / axial sealing with o-rings in valve seat
- / unique o-ring groove avoids product getting behind o-ring
- / no threaded connections in product area as one-piece valve disks are being used

EFFICIENCY

- / building block system
- / standard gaskets
- / minimum maintenance costs
- / upgrade to aseptic version possible
- / low pressure drop
- / no dome and no sump in valve due to ball-shaped valve body
- / Full Stroke design shortens cleaning time for viscous media (see separate brochure)

DESIGN

- / high-quality internal surfaces
- / no sump, no dome

MATERIAL

- / in contact with product 1.4404/AISI 316L
- / optional 1.4435/AISI 316L
- / not in contact with product 1.4301/AISI 304
- / all Valves are available in special alloys, such as Hastelloy® C-22, 1.4539/904L, 1.4529, AL-6XN® and others

GASKETS

- / EPDM or FKM (other materials upon request)
- / PEEK for media with particles

TEMPERATURES

- / maximum continuous operation 130 °C* (EPDM)
- / steam sterilization 150 °C* short-time (approx. 20 min) (EPDM)

PRESSURE

- / closing pressure 6 bar
- but DN 100/4" 4.5 bar
- / air pressure min. 6 bar / max. 10 bar

SURFACES

- / in contact with product Ra ≤ 0,8 µm (32 µin) mechanically polished
- / not in contact with product Ra ≤ 1,6 µm (63 µin) mechanically polished
- / higher quality surface finishes and e-polishing available upon request

CONNECTIONS STANDARD-PIPE CLASSES

- / DIN 11850-R2 (DIN 11866-A)
- / O.D.-Tube (DIN 11866-C)
- / DIN EN ISO 1127 (DIN 11866-B)

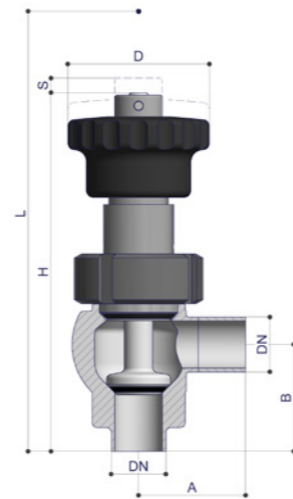
* dependent upon operating conditions

Hygienic Right Angle Valve Type L

manual with plastic hand wheel

EPDM										
DN DIN	Dimension	A	B	ØD	H	L	Stroke(S)	kg	Reference Number	Price
10	13 x 1,5	35	35	60	136	182	10	1,5	40004.1000.01.0001.32	on request
15	19 x 1,5	40	40	60	144	190	10	1,5	40004.1000.01.0002.32	on request
20	23 x 1,5	45	45	60	151	205	10	1,6	40004.1000.01.0003.32	on request

EPDM										
DN Inch	Dimension	A	B	ØD	H	L	Stroke(S)	kg	Reference Number	Price
½"	12,7 x 1,65	35	35	60	136	182	10	1,5	40004.1000.01.0022.32	on request
¾"	19,05 x 1,65	35	32	60	136	182	10	1,5	40004.1000.01.0023.32	on request

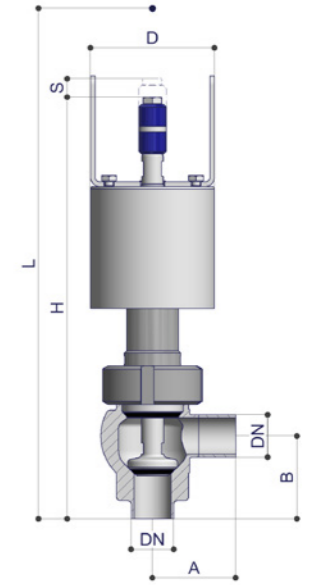


Hygienic Right Angle Valve Type L

pneumatic – air to open-spring to close NC

EPDM										
DN DIN	Dimension	A	B	ØD	H	L	Stroke(S)	kg	Reference Number	Price
10	13 x 1,5	35	35	67	216	261	8	2	40001.1000.01.0001.32	on request
15	19 x 1,5	40	40	67	224	270	8	2	40001.1000.01.0002.32	on request
20	23 x 1,5	45	45	67	229	283	10	2,1	40001.1000.01.0003.32	on request

EPDM										
DN Inch	Dimension	A	B	ØD	H	L	Stroke(S)	kg	Reference Number	Price
½"	12,7 x 1,65	35	35	67	215	260	9	2	40001.1000.01.0022.32	on request
¾"	19,05 x 1,65	35	32	67	215	260	9	2	40001.1000.01.0023.32	on request

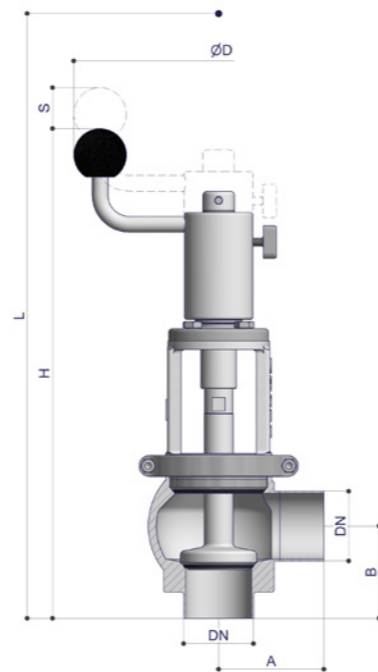


Hygienic Right Angle Valve Type L

manual with crank handle

EPDM										
DN DIN	Dimension	A	B	ØD	H	L	Stroke(S)	kg	Reference Number	Price
25	29 x 1,5	50	50	171	277	336	18	3,1	40040.1000.01.0004.32	on request
40	41 x 1,5	60	60	171	293	361	18	4,3	40040.1000.01.0006.32	on request
50	53 x 1,5	80	70	220	373	452	22	6,6	40040.1000.01.0007.32	on request
65	70 x 2	100	80	220	388	484	25	9	40040.1000.01.0008.32	on request
80	85 x 2	125	90	220	406	520	34	10,3	40040.1000.01.0009.32	on request
100	104 x 2	150	100	220	426	558	35	14	40040.1000.01.0010.32	on request

EPDM										
DN Inch	Dimension	A	B	ØD	H	L	Stroke(S)	kg	Reference Number	Price
1"	25,4 x 1,65	50	50	171	277	334	16	3	40040.1000.01.6024.32	on request
1 ½"	38,1 x 1,65	80	55	171	287	350	16	4	40040.1000.01.6026.32	on request
2"	50,8 x 1,65	80	65	220	368	446	21	6,7	40040.1000.01.6027.32	on request
2 ½"	63,5 x 1,65	100	70	220	378	468	22	8,5	40040.1000.01.6028.32	on request
3"	76,2 x 1,65	120	80	220	398	503	26	10,3	40040.1000.01.6029.32	on request
4"	101,6 x 2,11	150	90	220	417	546	32	14,3	40040.1000.01.6030.32	on request

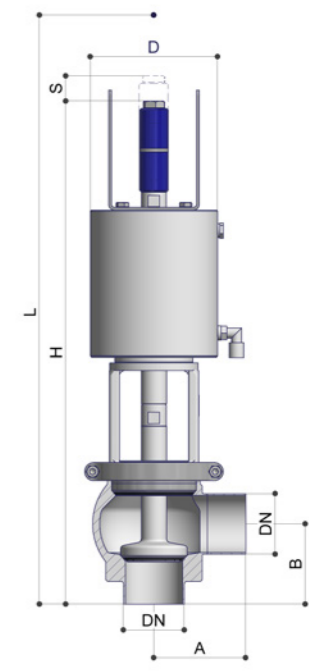


Hygienic Right Angle Valve Type L

pneumatic – air to open-spring to close NC

EPDM										
DN DIN	Dimension	A	B	ØD	H	L	Stroke(S)	kg	Reference Number	Price
25	29 x 1,5	50	50	88	352	410	18	5,1	40010.1000.01.0004.32	on request
40	41 x 1,5	60	60	88	368	436	18	6,2	40010.1000.01.0006.32	on request
50	53 x 1,5	80	70	111	440	520	22	10,4	40010.1000.01.0007.32	on request
65	70 x 2	100	80	132	500	595	25	15,2	40010.1000.01.0008.32	on request
80	85 x 2	125	90	172	612	725	34	24,7	40010.1000.01.0009.32	on request
100	104 x 2	150	100	172	629	760	36	28	40010.1000.01.0010.32	on request

EPDM										
DN Inch	Dimension	A	B	ØD	H	L	Stroke(S)	kg	Reference Number	Price
1"	25,4 x 1,65	50	50	88	352	409	16	5,1	40010.1000.01.6024.32	on request
1 ½"	38,1 x 1,65	80	55	88	363	426	16	6,2	40010.1000.01.6026.32	on request
2"	50,8 x 1,65	80	65	111	435	513	21	11	40010.1000.01.6027.32	on request
2 ½"	63,5 x 1,65	100	70	132	489	580	22	14,7	40010.1000.01.6028.32	on request
3"	76,2 x 1,65	120	80	132	502	607	26	17	40010.1000.01.6029.32	on request
4"	101,6 x 2,11	150	90	172	621	750	33	28,6	40010.1000.01.6030.32	on request

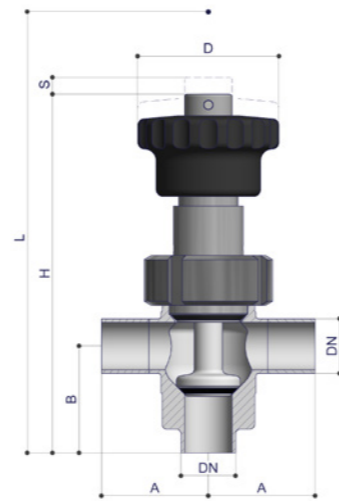


Hygienic Double Right Angle Valve Type T

manual with plastic hand wheel

EPDM										
DN DIN	Dimension	A	B	ØD	H	L	Stroke(S)	kg	Reference Number	Price
10	13 x 1,5	35	35	60	136	182	10	1,5	40104.1000.01.0001.32	on request
15	19 x 1,5	40	40	60	144	190	10	1,5	40104.1000.01.0002.32	on request
20	23 x 1,5	45	45	60	151	205	10	1,6	40104.1000.01.0003.32	on request

EPDM										
DN Inch	Dimension	A	B	ØD	H	L	Stroke(S)	kg	Reference Number	Price
½"	12,7 x 1,65	35	35	60	136	182	10	1,5	40104.1000.01.0022.32	on request
¾"	19,05 x 1,65	35	32	60	136	182	10	1,5	40104.1000.01.0023.32	on request

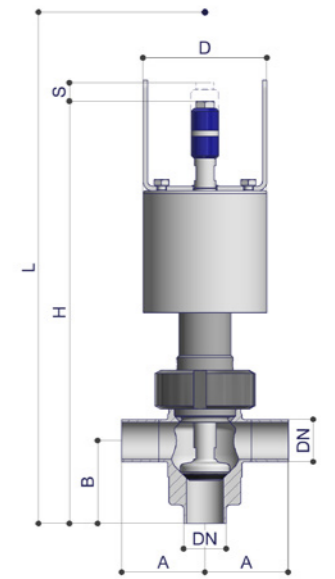


Hygienic Double Right Angle Valve Type T

pneumatic – air to open-spring to close NC

EPDM										
DN DIN	Dimension	A	B	ØD	H	L	Stroke(S)	kg	Reference Number	Price
10	13 x 1,5	35	35	67	216	261	8	2	40101.1000.01.0001.32	on request
15	19 x 1,5	40	40	67	224	270	8	2	40101.1000.01.0002.32	on request
20	23 x 1,5	45	45	67	229	283	10	2,1	40101.1000.01.0003.32	on request

EPDM										
DN Inch	Dimension	A	B	ØD	H	L	Stroke(S)	kg	Reference Number	Price
½"	12,7 x 1,65	35	35	67	215	260	9	2	40101.1000.01.0022.32	on request
¾"	19,05 x 1,65	35	32	67	215	260	9	2	40101.1000.01.0023.32	on request

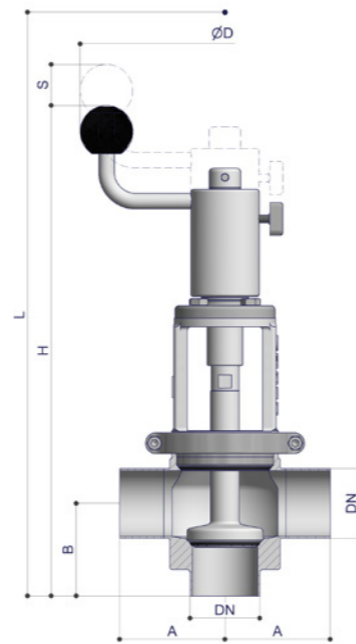


Hygienic Double Right Angle Valve Type T

manual with crank handle

EPDM										
DN DIN	Dimension	A	B	ØD	H	L	Stroke(S)	kg	Reference Number	Price
25	29 x 1,5	50	50	171	277	336	18	3,1	40140.1000.01.0004.32	on request
40	41 x 1,5	60	60	171	293	361	18	4,3	40140.1000.01.0006.32	on request
50	53 x 1,5	80	70	220	373	452	22	6,6	40140.1000.01.0007.32	on request
65	70 x 2	100	80	220	388	484	25	9	40140.1000.01.0008.32	on request
80	85 x 2	125	90	220	406	520	34	10,3	40140.1000.01.0009.32	on request
100	104 x 2	150	100	220	426	558	35	14	40140.1000.01.0010.32	on request

EPDM										
DN Inch	Dimension	A	B	ØD	H	L	Stroke(S)	kg	Reference Number	Price
1"	25,4 x 1,65	50	50	171	277	334	16	3	40140.1000.01.6024.32	on request
1 ½"	38,1 x 1,65	80	55	171	287	350	16	4	40140.1000.01.6026.32	on request
2"	50,8 x 1,65	80	65	220	368	446	21	6,7	40140.1000.01.6027.32	on request
2 ½"	63,5 x 1,65	100	70	220	378	468	22	8,5	40140.1000.01.6028.32	on request
3"	76,2 x 1,65	120	80	220	398	503	26	10,3	40140.1000.01.6029.32	on request
4"	101,6 x 2,11	150	90	220	417	546	32	14,3	40140.1000.01.6030.32	on request

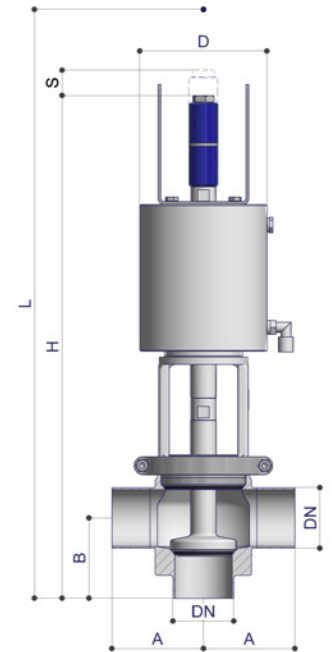


Hygienic Double Right Angle Valve Type T

pneumatic – air to open-spring to close NC

EPDM										
DN DIN	Dimension	A	B	ØD	H	L	Stroke(S)	kg	Reference Number	Price
25	29 x 1,5	50	50	88	352	410	18	5,1	40110.1000.01.0004.32	on request
40	41 x 1,5	60	60	88	368	436	18	6,2	40110.1000.01.0006.32	on request
50	53 x 1,5	80	70	111	440	520	22	10,4	40110.1000.01.0007.32	on request
65	70 x 2	100	80	132	500	595	25	15,2	40110.1000.01.0008.32	on request
80	85 x 2	125	90	172	612	725	34	24,7	40110.1000.01.0009.32	on request
100	104 x 2	150	100	172	629	760	36	28	40110.1000.01.0010.32	on request

EPDM										
DN Inch	Dimension	A	B	ØD	H	L	Stroke(S)	kg	Reference Number	Price
1"	25,4 x 1,65	50	50	88	352	409	16	5,1	40110.1000.01.6024.32	on request
1 ½"	38,1 x 1,65	80	55	88	363	426	16	6,2	40110.1000.01.6026.32	on request
2"	50,8 x 1,65	80	65	111	435	513	21	11	40110.1000.01.6027.32	on request
2 ½"	63,5 x 1,65	100	70	132	489	580	22	14,7	40110.1000.01.6028.32	on request
3"	76,2 x 1,65	120	80	132	502	607	26	17	40110.1000.01.6029.32	on request
4"	101,6 x 2,11	150	90	172	621	750	33	28,6	40110.1000.01.6030.32	on request

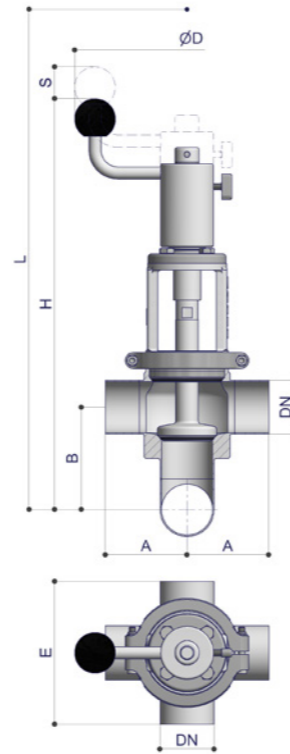


Hygienic Cross Valve Type TT

manual with crank handle

EPDM											
DN DIN	Dimension	A	B	ØD	E	H	L	Stroke(S)	kg	Reference Number	Price
25	29 x 1,5	50	66	171	100	293	352	18	3,5	40340.1000.01.0004.32	on request
40	41 x 1,5	60	83	171	120	316	384	18	4,5	40340.1000.01.0006.32	on request
50	53 x 1,5	80	100	220	140	403	482	22	6,8	40340.1000.01.0007.32	on request
65	70 x 2	100	120	220	160	428	524	25	9,3	40340.1000.01.0008.32	on request
80	85 x 2	125	137	220	180	453	567	34	10,9	40340.1000.01.0009.32	on request
100	104 x 2	150	158	220	200	484	616	35	14,5	40340.1000.01.0010.32	on request

EPDM											
DN Inch	Dimension	A	B	ØD	E	H	L	Stroke(S)	kg	Reference Number	Price
1"	25,4 x 1,65	50	64	171	108	291	348	16	3,2	40340.1000.01.6024.32	on request
1 1/2"	38,1 x 1,65	80	75,6	171	120,6	308	355	16	4,5	40340.1000.01.6026.32	on request
2"	50,8 x 1,65	80	93,4	220	146	397	475	21	7	40340.1000.01.6027.32	on request
2 1/2"	63,5 x 1,65	100	104,8	220	158,8	413	503	22	9	40340.1000.01.6028.32	on request
3"	76,2 x 1,65	120	122,6	220	171,4	441	546	26	10,9	40340.1000.01.6029.32	on request
4"	101,6 x 2,11	150	146,3	220	209,6	473	602	32	15,2	40340.1000.01.6030.32	on request

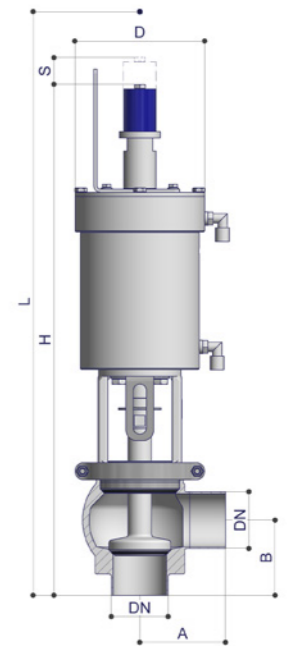


Hygienic Right Angle Valve Type L

pneumatic – air to open-spring to close NC – with three-position actuator

EPDM											
DN DIN	Dimension	A	B	ØD	H	L	Stroke(S)	kg	Reference Number	Price	
25	29 x 1,5	50	50	103	393	451	18	8	40071.1000.01.0004.32	on request	
40	41 x 1,5	60	60	103	409	477	18	9	40071.1000.01.0006.32	on request	
50	53 x 1,5	80	70	121	477	556	22	14	40071.1000.01.0007.32	on request	
65	70 x 2	100	80	141	528	624	23	19,7	40071.1000.01.0008.32	on request	
80	85 x 2	125	90	171	600	713	33	30	40071.1000.01.0009.32	on request	
100	104 x 2	150	100	171	619	751	36	33	40071.1000.01.0010.32	on request	

EPDM											
DN Inch	Dimension	A	B	ØD	H	L	Stroke(S)	kg	Reference Number	Price	
1"	25,4 x 1,65	In case of order you get a 3D step file for your design department.						40071.1000.01.6024.32	on request		
1 1/2"	38,1 x 1,65							40071.1000.01.6026.32	on request		
2"	50,8 x 1,65							40071.1000.01.6027.32	on request		
2 1/2"	63,5 x 1,65							40071.1000.01.6028.32	on request		
3"	76,2 x 1,65							40071.1000.01.6029.32	on request		
4"	101,6 x 2,11							40071.1000.01.6030.32	on request		

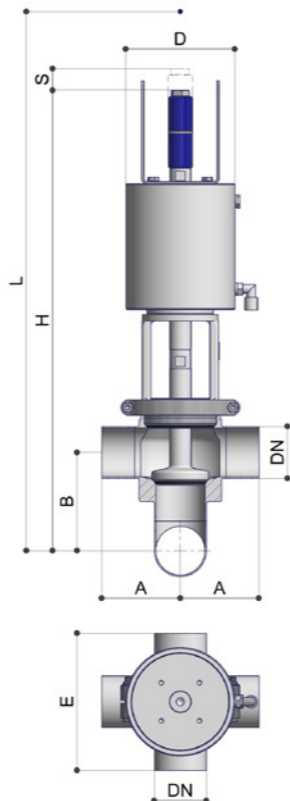


Hygienic Cross Valve Type TT

pneumatic – air to open-spring to close NC

EPDM											
DN DIN	Dimension	A	B	ØD	E	H	L	Stroke(S)	kg	Reference Number	Price
25	29 x 1,5	50	66	88	100	368	426	18	5,2	40310.1000.01.0004.32	on request
40	41 x 1,5	60	83	88	120	391	459	18	6,4	40310.1000.01.0006.32	on request
50	53 x 1,5	80	100	111	140	470	550	22	10,5	40310.1000.01.0007.32	on request
65	70 x 2	100	120	132	160	540	635	25	15,7	40310.1000.01.0008.32	on request
80	85 x 2	125	137	172	180	659	772	34	25,4	40310.1000.01.0009.32	on request
100	104 x 2	150	158	172	200	687	818	36	29,5	40310.1000.01.0010.32	on request

EPDM											
DN Inch	Dimension	A	B	ØD	E	H	L	Stroke(S)	kg	Reference Number	Price
1"	25,4 x 1,65	50	64	88	108	366	423	16	5,2	40310.1000.01.6024.32	on request
1 1/2"	38,1 x 1,65	80	75,6	88	120,6	384	447	16	6,4	40310.1000.01.6026.32	on request
2"	50,8 x 1,65	80	93,4	111	146	464	442	21	11,5	40310.1000.01.6027.32	on request
2 1/2"	63,5 x 1,65	100	104,8	132	158,8	524	615	22	15,5	40310.1000.01.6028.32	on request
3"	76,2 x 1,65	120	122,6	132	171,4	545	650	26	17,5	40310.1000.01.6029.32	on request
4"	101,6 x 2,11	150	146,3	172	209,6	674	807	33	29,5	40310.1000.01.6030.32	on request

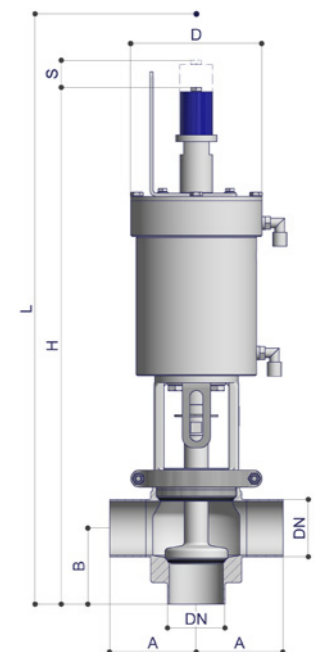


Hygienic Double Right Angle Valve Type T

pneumatic – air to open-spring to close NC – with three-position actuator

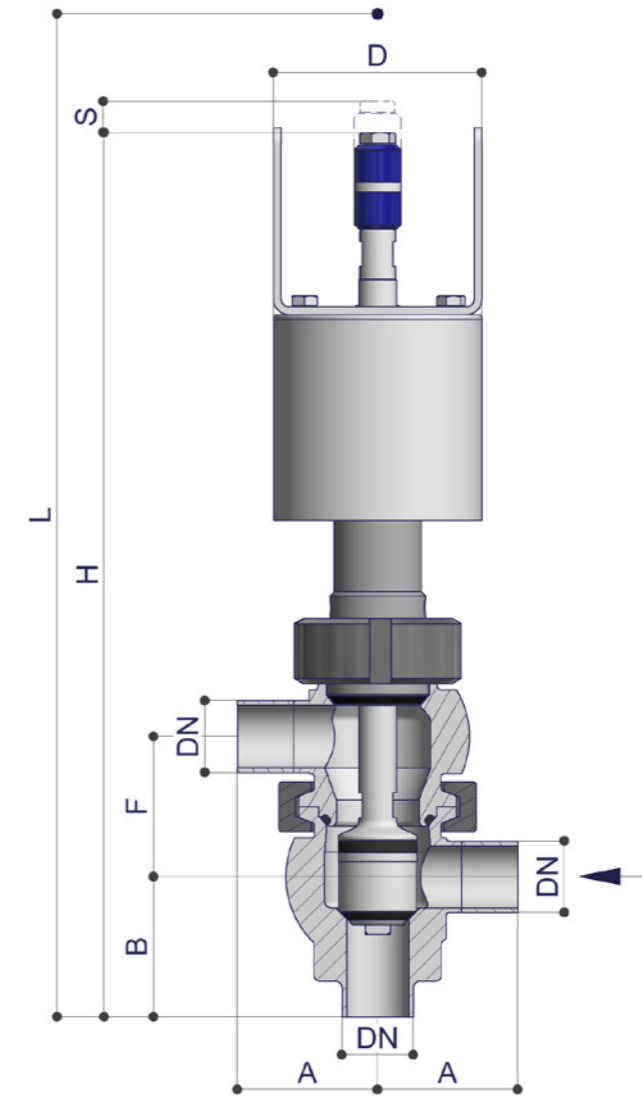
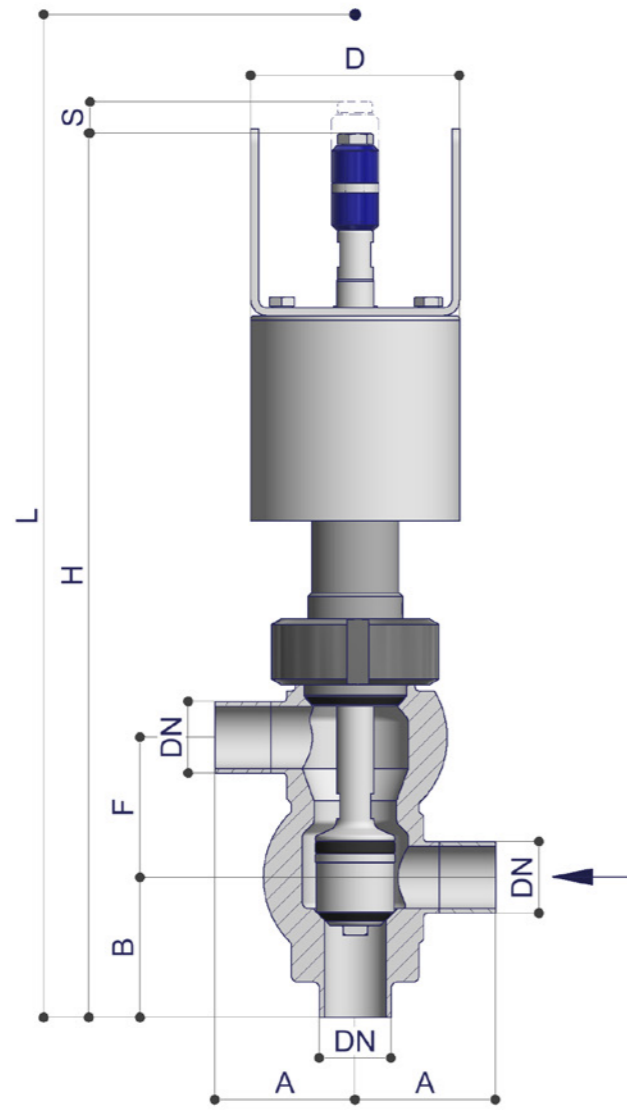
EPDM											
DN DIN	Dimension	A	B	ØD	H	L	Stroke(S)	kg	Reference Number	Price	
25	29 x 1,5	50	50	103	393	451	18	8	40171.1000.01.0004.32	on request	
40	41 x 1,5	60	60	103	409	477	18	9	40171.1000.01.0006.32	on request	
50	53 x 1,5	80	70	121	477	556	22	14	40171.1000.01.0007.32	on request	
65	70 x 2	100	80	141	528	624	23	19,7	40171.1000.01.0008.32	on request	
80	85 x 2	125	90	171	600	713	33	30	40171.1000.01.0009.32	on request	
100	104 x 2	150	100	171	619	751	36	33	40171.1000.01.0010.32	on request	

EPDM											
DN Inch	Dimension	A	B	ØD	H	L	Stroke(S)	kg	Reference Number	Price	
1"	25,4 x 1,65	In case of order you get a 3D step file for your design department.						40171.1000.01.6024.32	on request		
1 1/2"	38,1 x 1,65							40171.1000.01.6026.32	on request		
2"	50,8 x 1,65							40171.1000.01.6027.32	on request		
2 1/2"	63,5 x 1,65							40171.1000.01.6028.32	on request		
3"	76,2 x 1,65							40171.1000.01.6029.32	on request		
4"	101,6 x 2,11							40171.1000.01.6030.32	on request		



Hygienic Change Over Valve Type LL – one-piece valve body
pneumatic – air to open-spring to close NC

Hygienic Change Over Valve Type LL – two-piece valve body
pneumatic – air to open-spring to close NC



i Closing pressure of 6 bar is only ensured with flow direction into middle port with control air pressure of at least 6 bar (max. 10 bar) – see arrow. Please review also the holding pressure chart (available separate).

i Closing pressure of 6 bar is only ensured with flow direction into middle port with control air pressure of at least 6 bar (max. 10 bar) – see arrow. Please review also the holding pressure chart (available separate).

EPDM

EPDM

DN DIN	Dimension	A	B	ØD	F	H	L	Stroke(S)	kg	Reference Number	Price
10	13 x 1,5	40	40	67	42	262	343	10	2,7	40401.1000.01.0001.32	on request
15	19 x 1,5	40	40	67	47	270	363	10	2,7	40401.1000.01.0002.32	on request
20	23 x 1,5	45	45	67	45	274	370	10	2,8	40401.1000.01.0003.32	on request

DN DIN	Dimension	A	B	ØD	F	H	L	Stroke(S)	kg	Reference Number	Price
10	13 x 1,5	40	40	67	42	262	343	10	2,7	40801.1000.01.0001.32	on request
15	19 x 1,5	40	40	67	47	270	363	10	2,7	40801.1000.01.0002.32	on request
20	23 x 1,5	45	45	67	45	274	370	10	2,8	40801.1000.01.0003.32	on request

NC = If air fails, lower port is closed.

NC = If air fails, lower port is closed.

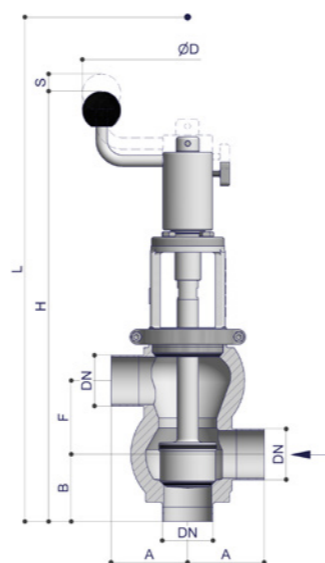
Hygienic Change Over Valve Type LL – one-piece valve body – 3 ports

manual with crank handle

EPDM

DN DIN	Dimension	A	B	ØD	F	H	L	Stroke(S)	kg	Reference Number	Price
25	29 x 1,5	50	50	171	55	332	443	18	4,3	40440.1000.01.0004.32	on request
40	41 x 1,5	60	60	171	65	358	489	18	5,5	40440.1000.01.0006.32	on request
50	53 x 1,5	80	70	220	77	450	608	27	11,8	40440.1000.01.0007.32	on request
65	70 x 2	100	80	220	95	480	671	33	12,4	40440.1000.01.0008.32	on request
80	85 x 2	125	90	220	110	516	737	33	17	40440.1000.01.0009.32	on request
100	104 x 2	150	100	220	129	595	854	35	35,7	40440.1000.01.0010.32	on request

DN Inch	Dimension	A	B	ØD	F	H	L	Stroke(S)	kg	Reference Number	Price
1"	25,4 x 1,65	In case of order you get a 3D step file for your design department.								40440.1000.01.6024.32	on request
1 1/2"	38,1 x 1,65									40440.1000.01.6026.32	on request
2"	50,8 x 1,65									40440.1000.01.6027.32	on request
2 1/2"	63,5 x 1,65									40440.1000.01.6028.32	on request
3"	76,2 x 1,65									40440.1000.01.6029.32	on request
4"	101,6 x 2,11									40440.1000.01.6030.32	on request



Closing pressure of 6 bar is only ensured with flow direction into middle port with control air pressure of at least 6 bar (max. 10 bar) – see arrow. Please review also the holding pressure chart (available separate).



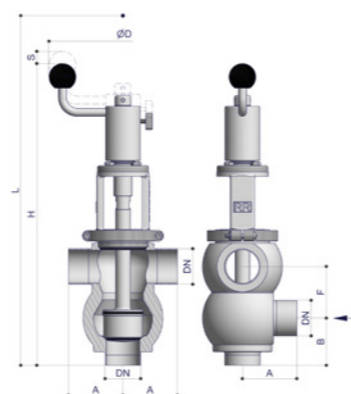
Hygienic Change Over Valve Type TL – one-piece valve body – 4 ports

manual with crank handle

EPDM

DN DIN	Dimension	A	B	ØD	F	H	L	Stroke(S)	kg	Reference Number	Price
25	29 x 1,5	50	50	171	55	332	443	18	4,3	40440.1040.01.0004.32	on request
40	41 x 1,5	60	60	171	65	358	489	18	5,5	40440.1040.01.0006.32	on request
50	53 x 1,5	80	70	220	77	450	608	27	11,8	40440.1040.01.0007.32	on request
65	70 x 2	100	80	220	95	480	671	33	12,4	40440.1040.01.0008.32	on request
80	85 x 2	125	90	220	110	516	737	33	17	40440.1040.01.0009.32	on request
100	104 x 2	150	100	220	129	595	854	35	35,7	40440.1040.01.0010.32	on request

DN Inch	Dimension	A	B	ØD	F	H	L	Stroke(S)	kg	Reference Number	Price
1"	25,4 x 1,65	In case of order you get a 3D step file for your design department.								40440.1040.01.6024.32	on request
1 1/2"	38,1 x 1,65									40440.1040.01.6026.32	on request
2"	50,8 x 1,65									40440.1040.01.6027.32	on request
2 1/2"	63,5 x 1,65									40440.1040.01.6028.32	on request
3"	76,2 x 1,65									40440.1040.01.6029.32	on request
4"	101,6 x 2,11									40440.1040.01.6030.32	on request



Closing pressure of 6 bar is only ensured with flow direction into middle port with control air pressure of at least 6 bar (max. 10 bar) – see arrow. Please review also the holding pressure chart (available separate).



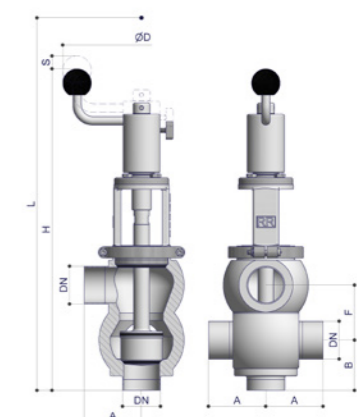
Hygienic Change Over Valve Type LT – one-piece valve body – 4 ports

manual with crank handle

EPDM

DN DIN	Dimension	A	B	ØD	F	H	L	Stroke(S)	kg	Reference Number	Price
25	29 x 1,5	50	50	171	55	332	443	18	4,3	40440.1060.01.0004.32	on request
40	41 x 1,5	60	60	171	65	358	489	18	5,5	40440.1060.01.0006.32	on request
50	53 x 1,5	80	70	220	77	450	608	27	11,8	40440.1060.01.0007.32	on request
65	70 x 2	100	80	220	95	480	671	33	12,4	40440.1060.01.0008.32	on request
80	85 x 2	125	90	220	110	516	737	33	17	40440.1060.01.0009.32	on request
100	104 x 2	150	100	220	129	595	854	35	35,7	40440.1060.01.0010.32	on request

DN Inch	Dimension	A	B	ØD	F	H	L	Stroke(S)	kg	Reference Number	Price
1"	25,4 x 1,65	In case of order you get a 3D step file for your design department.								40440.1060.01.6024.32	on request
1 1/2"	38,1 x 1,65									40440.1060.01.6026.32	on request
2"	50,8 x 1,65									40440.1060.01.6027.32	on request
2 1/2"	63,5 x 1,65									40440.1060.01.6028.32	on request
3"	76,2 x 1,65									40440.1060.01.6029.32	on request
4"	101,6 x 2,11									40440.1060.01.6030.32	on request



Closing pressure of 6 bar is only ensured with flow direction into middle port with control air pressure of at least 6 bar (max. 10 bar) – see arrow. Please review also the holding pressure chart (available separate).



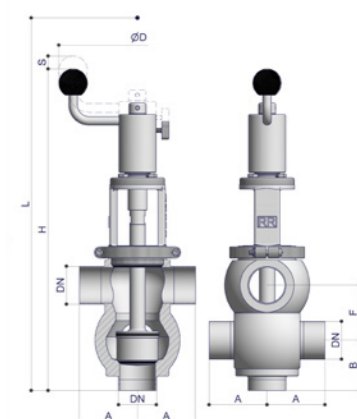
Hygienic Change Over Valve Type TT – one-piece valve body – 5 ports

manual with crank handle

EPDM

DN DIN	Dimension	A	B	ØD	F	H	L	Stroke(S)	kg	Reference Number	Price
25	29 x 1,5	50	50	171	55	332	443	18	4,3	40440.1080.01.0004.32	on request
40	41 x 1,5	60	60	171	65	358	489	18	5,5	40440.1080.01.0006.32	on request
50	53 x 1,5	80	70	220	77	450	608	27	11,8	40440.1080.01.0007.32	on request
65	70 x 2	100	80	220	95	480	671	33	12,4	40440.1080.01.0008.32	on request
80	85 x 2	125	90	220	110	516	737	33	17	40440.1080.01.0009.32	on request
100	104 x 2	150	100	220	129	595	854	35	35,7	40440.1080.01.0010.32	on request

DN Inch	Dimension	A	B	ØD	F	H	L	Stroke(S)	kg	Reference Number	Price
1"	25,4 x 1,65	In case of order you get a 3D step file for your design department.								40440.1080.01.6024.32	on request
1 1/2"	38,1 x 1,65									40440.1080.01.6026.32	on request
2"	50,8 x 1,65									40440.1080.01.6027.32	on request
2 1/2"	63,5 x 1,65									40440.1080.01.6028.32	on request
3"	76,2 x 1,65									40440.1080.01.6029.32	on request
4"	101,6 x 2,11									40440.1080.01.6030.32	on request



Closing pressure of 6 bar is only ensured with flow direction into middle port with control air pressure of at least 6 bar (max. 10 bar) – see arrow. Please review also the holding pressure chart (available separate).



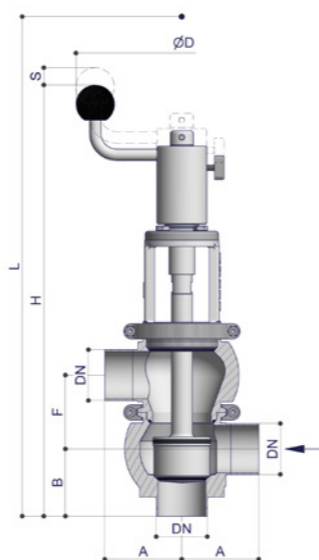
Hygienic Change Over Valve Type LL – two-piece valve body – 3 ports

manual with crank handle

EPDM

DN DIN	Dimension	A	B	ØD	F	H	L	Stroke(S)	kg	Reference Number	Price
25	29 x 1,5	50	50	171	55	332	443	18	4,3	40840.1000.01.0004.32	on request
40	41 x 1,5	60	60	171	65	358	489	18	5,5	40840.1000.01.0006.32	on request
50	53 x 1,5	80	70	220	77	450	608	27	11,8	40840.1000.01.0007.32	on request
65	70 x 2	100	80	220	95	480	671	33	12,4	40840.1000.01.0008.32	on request
80	85 x 2	125	90	220	110	516	737	33	17	40840.1000.01.0009.32	on request
100	104 x 2	150	100	220	129	595	854	35	35,7	40840.1000.01.0010.32	on request

DN Inch	Dimension	A	B	ØD	F	H	L	Stroke(S)	kg	Reference Number	Price
1"	25,4 x 1,65	In case of order you get a 3D step file for your design department.								40840.1000.01.6024.32	on request
1 1/2"	38,1 x 1,65									40840.1000.01.6026.32	on request
2"	50,8 x 1,65									40840.1000.01.6027.32	on request
2 1/2"	63,5 x 1,65									40840.1000.01.6028.32	on request
3"	76,2 x 1,65									40840.1000.01.6029.32	on request
4"	101,6 x 2,11									40840.1000.01.6030.32	on request



Closing pressure of 6 bar is only ensured with flow direction into middle port with control air pressure of at least 6 bar (max. 10 bar) – see arrow. Please review also the holding pressure chart (available separate).



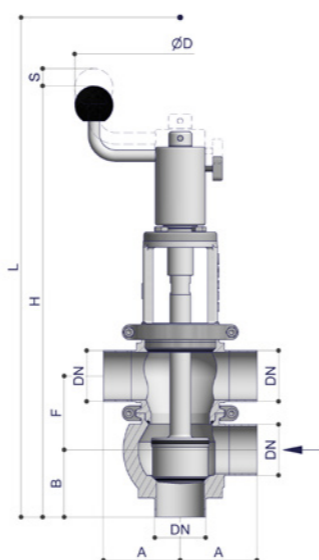
Hygienic Change Over Valve Type TL – two-piece valve body – 4 ports

manual with crank handle

EPDM

DN DIN	Dimension	A	B	ØD	F	H	L	Stroke(S)	kg	Reference Number	Price
25	29 x 1,5	50	50	171	55	332	443	18	4,3	40840.1040.01.0004.32	on request
40	41 x 1,5	60	60	171	65	358	489	18	5,5	40840.1040.01.0006.32	on request
50	53 x 1,5	80	70	220	77	450	608	27	11,8	40840.1040.01.0007.32	on request
65	70 x 2	100	80	220	95	480	671	33	12,4	40840.1040.01.0008.32	on request
80	85 x 2	125	90	220	110	516	737	33	17	40840.1040.01.0009.32	on request
100	104 x 2	150	100	220	129	595	854	35	35,7	40840.1040.01.0010.32	on request

DN Inch	Dimension	A	B	ØD	F	H	L	Stroke(S)	kg	Reference Number	Price
1"	25,4 x 1,65	In case of order you get a 3D step file for your design department.								40840.1040.01.6024.32	on request
1 1/2"	38,1 x 1,65									40840.1040.01.6026.32	on request
2"	50,8 x 1,65									40840.1040.01.6027.32	on request
2 1/2"	63,5 x 1,65									40840.1040.01.6028.32	on request
3"	76,2 x 1,65									40840.1040.01.6029.32	on request
4"	101,6 x 2,11									40840.1040.01.6030.32	on request



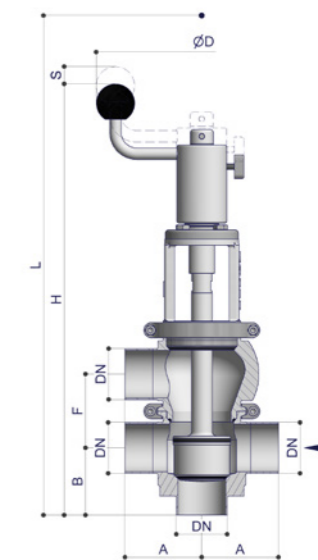
Hygienic Change Over Valve Type LT – two-piece valve body – 4 ports

manual with crank handle

EPDM

DN DIN	Dimension	A	B	ØD	F	H	L	Stroke(S)	kg	Reference Number	Price
25	29 x 1,5	50	50	171	55	332	443	18	4,3	40840.1060.01.0004.32	on request
40	41 x 1,5	60	60	171	65	358	489	18	5,5	40840.1060.01.0006.32	on request
50	53 x 1,5	80	70	220	77	450	608	27	11,8	40840.1060.01.0007.32	on request
65	70 x 2	100	80	220	95	480	671	33	12,4	40840.1060.01.0008.32	on request
80	85 x 2	125	90	220	110	516	737	33	17	40840.1060.01.0009.32	on request
100	104 x 2	150	100	220	129	595	854	35	35,7	40840.1060.01.0010.32	on request

DN Inch	Dimension	A	B	ØD	F	H	L	Stroke(S)	kg	Reference Number	Price
1"	25,4 x 1,65	In case of order you get a 3D step file for your design department.								40840.1060.01.6024.32	on request
1 1/2"	38,1 x 1,65									40840.1060.01.6026.32	on request
2"	50,8 x 1,65									40840.1060.01.6027.32	on request
2 1/2"	63,5 x 1,65									40840.1060.01.6028.32	on request
3"	76,2 x 1,65									40840.1060.01.6029.32	on request
4"	101,6 x 2,11									40840.1060.01.6030.32	on request



Closing pressure of 6 bar is only ensured with flow direction into middle port with control air pressure of at least 6 bar (max. 10 bar) – see arrow. Please review also the holding pressure chart (available separate).



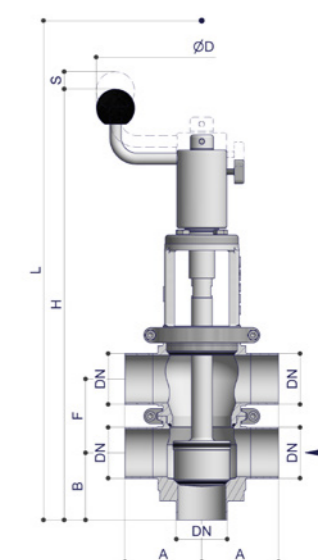
Hygienic Change Over Valve Type TT – two-piece valve body – 5 ports

manual with crank handle

EPDM

DN DIN	Dimension	A	B	ØD	F	H	L	Stroke(S)	kg	Reference Number	Price
25	29 x 1,5	50	50	171	55	332	443	18	4,3	40840.1080.01.0004.32	on request
40	41 x 1,5	60	60	171	65	358	489	18	5,5	40840.1080.01.0006.32	on request
50	53 x 1,5	80	70	220	77	450	608	27	11,8	40840.1080.01.0007.32	on request
65	70 x 2	100	80	220	95	480	671	33	12,4	40840.1080.01.0008.32	on request
80	85 x 2	125	90	220	110	516	737	33	17	40840.1080.01.0009.32	on request
100	104 x 2	150	100	220	129	595	854	35	35,7	40840.1080.01.0010.32	on request

DN Inch	Dimension	A	B	ØD	F	H	L	Stroke(S)	kg	Reference Number	Price
1"	25,4 x 1,65	In case of order you get a 3D step file for your design department.								40840.1080.01.6024.32	on request
1 1/2"	38,1 x 1,65									40840.1080.01.6026.32	on request
2"	50,8 x 1,65									40840.1080.01.6027.32	on request
2 1/2"	63,5 x 1,65									40840.1080.01.6028.32	on request
3"	76,2 x 1,65									40840.1080.01.6029.32	on request
4"	101,6 x 2,11									40840.1080.01.6030.32	on request



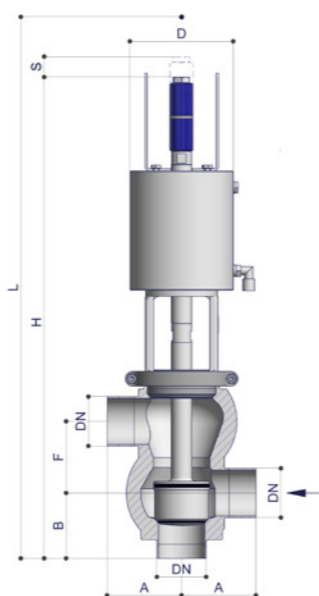
Hygienic Change Over Valve Type LL – one-piece valve body – 3 ports

pneumatic – air to open-spring to close NC

EPDM

DN DIN	Dimension	A	B	ØD	F	H	L	Stroke(S)	kg	Reference Number	Price
25	29 x 1,5	50	50	88	55	407	519	18	6,5	40410.1000.01.0004.32	on request
40	41 x 1,5	60	60	88	65	429	560	18	7,3	40410.1000.01.0006.32	on request
50	53 x 1,5	80	70	111	77	517	675	22	15	40410.1000.01.0007.32	on request
65	70 x 2	100	80	132	95	594	785	25	18	40410.1000.01.0008.32	on request
80	85 x 2	125	90	172	110	721	942	33	31	40410.1000.01.0009.32	on request
100	104 x 2	150	100	172	129	758	1017	35	38	40410.1000.01.0010.32	on request

DN Inch	Dimension	A	B	ØD	F	H	L	Stroke(S)	kg	Reference Number	Price
1"	25,4 x 1,65	50	52	88	50	414	524	18	6,3	40410.1000.01.6024.32	on request
1 1/2"	38,1 x 1,65	80	55	88	63	423	552	19	7,7	40410.1000.01.6026.32	on request
2"	50,8 x 1,65	100	65	111	75,5	508	665	23	13,5	40410.1000.01.6027.32	on request
2 1/2"	63,5 x 1,65	100	72	132	86	574	752	25	17,6	40410.1000.01.6028.32	on request
3"	76,2 x 1,65	125	80	172	101	700	907	33	29	40410.1000.01.6029.32	on request
4"	101,6 x 2,11	150	100	172	132	760	1019	36	40	40410.1000.01.6030.32	on request



Closing pressure of 6 bar is only ensured with flow direction into middle port with control air pressure of at least 6 bar (max. 10 bar) – see arrow. Please review also the holding pressure chart (available separate).



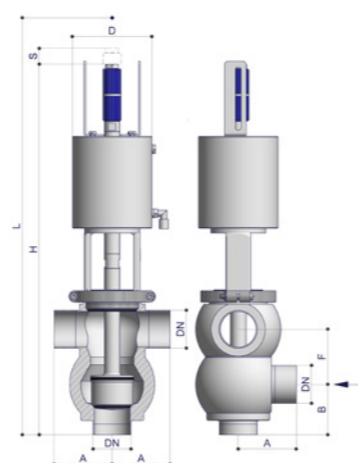
Hygienic Change Over Valve Type TL – one-piece valve body – 4 ports

pneumatic – air to open-spring to close NC

EPDM

DN DIN	Dimension	A	B	ØD	F	H	L	Stroke(S)	kg	Reference Number	Price
25	29 x 1,5	50	50	88	55	407	519	18	6,5	40410.1040.01.0004.32	on request
40	41 x 1,5	60	60	88	65	429	560	18	7,3	40410.1040.01.0006.32	on request
50	53 x 1,5	80	70	111	77	517	675	22	15	40410.1040.01.0007.32	on request
65	70 x 2	100	80	132	95	594	785	25	18	40410.1040.01.0008.32	on request
80	85 x 2	125	90	172	110	721	942	33	31	40410.1040.01.0009.32	on request
100	104 x 2	150	100	172	129	758	1017	35	38	40410.1040.01.0010.32	on request

DN Inch	Dimension	A	B	ØD	F	H	L	Stroke(S)	kg	Reference Number	Price
1"	25,4 x 1,65	50	52	88	50	414	524	18	6,3	40410.1040.01.6024.32	on request
1 1/2"	38,1 x 1,65	80	55	88	63	423	552	19	7,7	40410.1040.01.6026.32	on request
2"	50,8 x 1,65	100	65	111	75,5	508	665	23	13,5	40410.1040.01.6027.32	on request
2 1/2"	63,5 x 1,65	100	72	132	86	574	752	25	17,6	40410.1040.01.6028.32	on request
3"	76,2 x 1,65	125	80	172	101	700	907	33	29	40410.1040.01.6029.32	on request
4"	101,6 x 2,11	150	100	172	132	760	1019	36	40	40410.1040.01.6030.32	on request



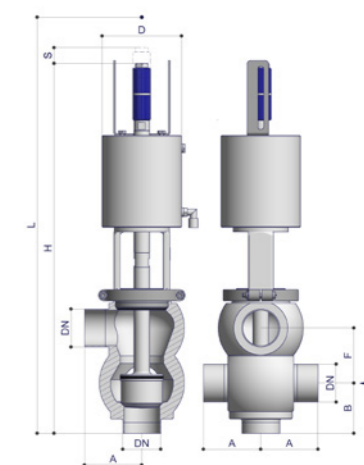
Hygienic Change Over Valve Type LT – one-piece valve body – 4 ports

pneumatic – air to open-spring to close NC

EPDM

DN DIN	Dimension	A	B	ØD	F	H	L	Stroke(S)	kg	Reference Number	Price
25	29 x 1,5	50	50	88	55	407	519	18	6,5	40410.1060.01.0004.32	on request
40	41 x 1,5	60	60	88	65	429	560	18	7,3	40410.1060.01.0006.32	on request
50	53 x 1,5	80	70	111	77	517	675	22	15	40410.1060.01.0007.32	on request
65	70 x 2	100	80	132	95	594	785	25	18	40410.1060.01.0008.32	on request
80	85 x 2	125	90	172	110	721	942	33	31	40410.1060.01.0009.32	on request
100	104 x 2	150	100	172	129	758	1017	35	38	40410.1060.01.0010.32	on request

DN Inch	Dimension	A	B	ØD	F	H	L	Stroke(S)	kg	Reference Number	Price
1"	25,4 x 1,65	50	52	88	50	414	524	18	6,3	40410.1060.01.6024.32	on request
1 1/2"	38,1 x 1,65	80	55	88	63	423	552	19	7,7	40410.1060.01.6026.32	on request
2"	50,8 x 1,65	100	65	111	75,5	508	665	23	13,5	40410.1060.01.6027.32	on request
2 1/2"	63,5 x 1,65	100	72	132	86	574	752	25	17,6	40410.1060.01.6028.32	on request
3"	76,2 x 1,65	125	80	172	101	700	907	33	29	40410.1060.01.6029.32	on request
4"	101,6 x 2,11	150	100	172	132	760	1019	36	40	40410.1060.01.6030.32	on request



Closing pressure of 6 bar is only ensured with flow direction into middle port with control air pressure of at least 6 bar (max. 10 bar) – see arrow. Please review also the holding pressure chart (available separate).



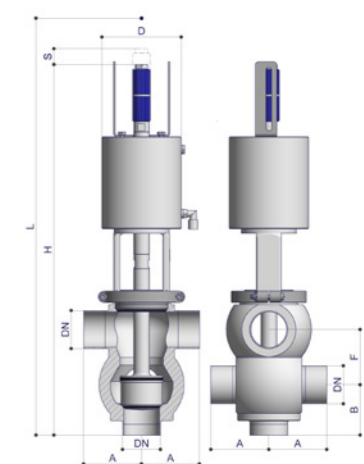
Hygienic Change Over Valve Type TT – one-piece valve body – 5 ports

pneumatic – air to open-spring to close NC

EPDM

DN DIN	Dimension	A	B	ØD	F	H	L	Stroke(S)	kg	Reference Number	Price
25	29 x 1,5	50	50	88	55	407	519	18	6,5	40410.1080.01.0004.32	on request
40	41 x 1,5	60	60	88	65	429	560	18	7,3	40410.1080.01.0006.32	on request
50	53 x 1,5	80	70	111	77	517	675	22	15	40410.1080.01.0007.32	on request
65	70 x 2	100	80	132	95	594	785	25	18	40410.1080.01.0008.32	on request
80	85 x 2	125	90	172	110	721	942	33	31	40410.1080.01.0009.32	on request
100	104 x 2	150	100	172	129	758	1017	35	38	40410.1080.01.0010.32	on request

DN Inch	Dimension	A	B	ØD	F	H	L	Stroke(S)	kg	Reference Number	Price
1"	25,4 x 1,65	50	52	88	50	414	524	18	6,3	40410.1080.01.6024.32	on request
1 1/2"	38,1 x 1,65	80	55	88	63	423	552	19	7,7	40410.1080.01.6026.32	on request
2"	50,8 x 1,65	100	65	111	75,5	508	665	23	13,5	40410.1080.01.6027.32	on request
2 1/2"	63,5 x 1,65	100	72	132	86	574	752	25	17,6	40410.1080.01.6028.32	on request
3"	76,2 x 1,65	125	80	172	101	700	907	33	29	40410.1080.01.6029.32	on request
4"	101,6 x 2,11	150	100	172	132	760	1019	36	40	40410.1080.01.6030.32	on request



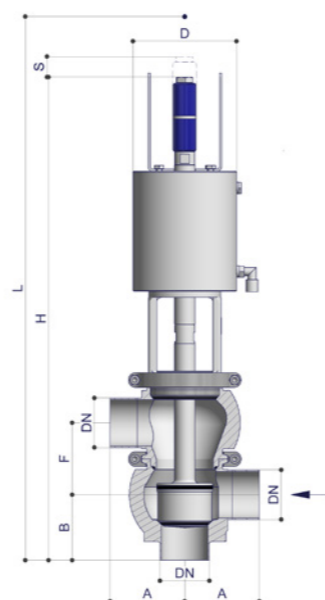
Hygienic Change Over Valve Type LL – two-piece valve body – 3 ports

pneumatic – air to open-spring to close NC

EPDM

DN DIN	Dimension	A	B	ØD	F	H	L	Stroke(S)	kg	Reference Number	Price
25	29 x 1,5	50	50	88	55	407	519	18	6,5	40810.1000.01.0004.32	on request
40	41 x 1,5	60	60	88	65	429	560	18	7,3	40810.1000.01.0006.32	on request
50	53 x 1,5	80	70	111	77	517	675	22	15	40810.1000.01.0007.32	on request
65	70 x 2	100	80	132	95	594	785	25	18	40810.1000.01.0008.32	on request
80	85 x 2	125	90	172	110	721	942	33	31	40810.1000.01.0009.32	on request
100	104 x 2	150	100	172	129	758	1017	35	38	40810.1000.01.0010.32	on request

DN Inch	Dimension	A	B	ØD	F	H	L	Stroke(S)	kg	Reference Number	Price
1"	25,4 x 1,65	50	52	88	50	414	524	18	6,3	40810.1000.01.6024.32	on request
1 1/2"	38,1 x 1,65	80	55	88	63	423	552	19	7,7	40810.1000.01.6026.32	on request
2"	50,8 x 1,65	100	65	111	75,5	508	665	23	13,5	40810.1000.01.6027.32	on request
2 1/2"	63,5 x 1,65	100	72	132	86	574	752	25	17,6	40810.1000.01.6028.32	on request
3"	76,2 x 1,65	125	80	172	101	700	907	33	29	40810.1000.01.6029.32	on request
4"	101,6 x 2,11	150	100	172	132	760	1019	36	40	40810.1000.01.6030.32	on request



Closing pressure of 6 bar is only ensured with flow direction into middle port with control air pressure of at least 6 bar (max. 10 bar) – see arrow. Please review also the holding pressure chart (available separate).



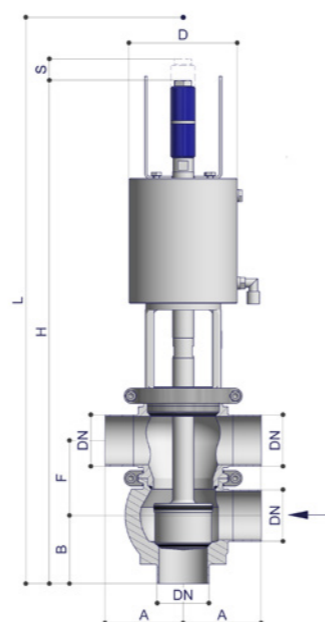
Hygienic Change Over Valve Type TL – two-piece valve body – 4 ports

pneumatic – air to open-spring to close NC

EPDM

DN DIN	Dimension	A	B	ØD	F	H	L	Stroke(S)	kg	Reference Number	Price
25	29 x 1,5	50	50	88	55	407	519	18	6,5	40810.1040.01.0004.32	on request
40	41 x 1,5	60	60	88	65	429	560	18	7,3	40810.1040.01.0006.32	on request
50	53 x 1,5	80	70	111	77	517	675	22	15	40810.1040.01.0007.32	on request
65	70 x 2	100	80	132	95	594	785	25	18	40810.1040.01.0008.32	on request
80	85 x 2	125	90	172	110	721	942	33	31	40810.1040.01.0009.32	on request
100	104 x 2	150	100	172	129	758	1017	35	38	40810.1040.01.0010.32	on request

DN Inch	Dimension	A	B	ØD	F	H	L	Stroke(S)	kg	Reference Number	Price
1"	25,4 x 1,65	50	52	88	50	414	524	18	6,3	40810.1040.01.6024.32	on request
1 1/2"	38,1 x 1,65	80	55	88	63	423	552	19	7,7	40810.1040.01.6026.32	on request
2"	50,8 x 1,65	100	65	111	75,5	508	665	23	13,5	40810.1040.01.6027.32	on request
2 1/2"	63,5 x 1,65	100	72	132	86	574	752	25	17,6	40810.1040.01.6028.32	on request
3"	76,2 x 1,65	125	80	172	101	700	907	33	29	40810.1040.01.6029.32	on request
4"	101,6 x 2,11	150	100	172	132	760	1019	36	40	40810.1040.01.6030.32	on request



Closing pressure of 6 bar is only ensured with flow direction into middle port with control air pressure of at least 6 bar (max. 10 bar) – see arrow. Please review also the holding pressure chart (available separate).



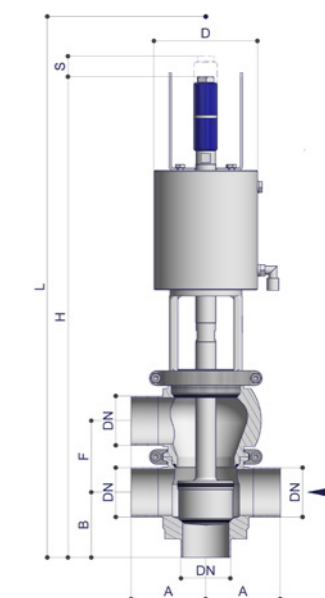
Hygienic Change Over Valve Type LT – two-piece valve body – 4 ports

pneumatic – air to open-spring to close NC

EPDM

DN DIN	Dimension	A	B	ØD	F	H	L	Stroke(S)	kg	Reference Number	Price
25	29 x 1,5	50	50	88	55	407	519	18	6,5	40810.1060.01.0004.32	on request
40	41 x 1,5	60	60	88	65	429	560	18	7,3	40810.1060.01.0006.32	on request
50	53 x 1,5	80	70	111	77	517	675	22	15	40810.1060.01.0007.32	on request
65	70 x 2	100	80	132	95	594	785	25	18	40810.1060.01.0008.32	on request
80	85 x 2	125	90	172	110	721	942	33	31	40810.1060.01.0009.32	on request
100	104 x 2	150	100	172	129	758	1017	35	38	40810.1060.01.0010.32	on request

DN Inch	Dimension	A	B	ØD	F	H	L	Stroke(S)	kg	Reference Number	Price
1"	25,4 x 1,65	50	52	88	50	414	524	18	6,3	40810.1060.01.6024.32	on request
1 1/2"	38,1 x 1,65	80	55	88	63	423	552	19	7,7	40810.1060.01.6026.32	on request
2"	50,8 x 1,65	100	65	111	75,5	508	665	23	13,5	40810.1060.01.6027.32	on request
2 1/2"	63,5 x 1,65	100	72	132	86	574	752	25	17,6	40810.1060.01.6028.32	on request
3"	76,2 x 1,65	125	80	172	101	700	907	33	29	40810.1060.01.6029.32	on request
4"	101,6 x 2,11	150	100	172	132	760	1019	36	40	40810.1060.01.6030.32	on request



Closing pressure of 6 bar is only ensured with flow direction into middle port with control air pressure of at least 6 bar (max. 10 bar) – see arrow. Please review also the holding pressure chart (available separate).



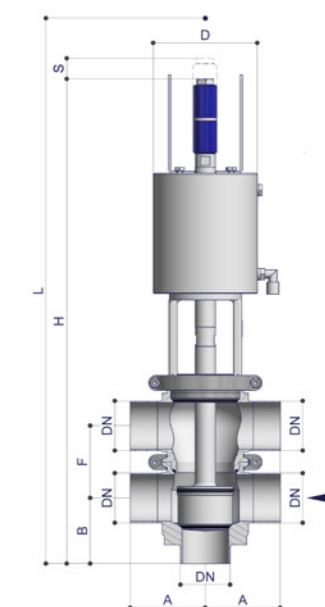
Hygienic Change Over Valve Type TT – two-piece valve body – 5 ports

pneumatic – air to open-spring to close NC

EPDM

DN DIN	Dimension	A	B	ØD	F	H	L	Stroke(S)	kg	Reference Number	Price
25	29 x 1,5	50	50	88	55	407	519	18	6,5	40810.1080.01.0004.32	on request
40	41 x 1,5	60	60	88	65	429	560	18	7,3	40810.1080.01.0006.32	on request
50	53 x 1,5	80	70	111	77	517	675	22	15	40810.1080.01.0007.32	on request
65	70 x 2	100	80	132	95	594	785	25	18	40810.1080.01.0008.32	on request
80	85 x 2	125	90	172	110	721	942	33	31	40810.1080.01.0009.32	on request
100	104 x 2	150	100	172	129	758	1017	35	38	40810.1080.01.0010.32	on request

DN Inch	Dimension	A	B	ØD	F	H	L	Stroke(S)	kg	Reference Number	Price
1"	25,4 x 1,65	50	52	88	50	414	524	18	6,3	40810.1080.01.6024.32	on request
1 1/2"	38,1 x 1,65	80	55	88	63	423	552	19	7,7	40810.1080.01.6026.32	on request
2"	50,8 x 1,65	100	65	111	75,5	508	665	23	13,5	40810.1080.01.6027.32	on request
2 1/2"	63,5 x 1,65	100	72	132	86	574	752	25	17,6	40810.1080.01.6028.32	on request
3"	76,2 x 1,65	125	80	172	101	700	907	33	29	40810.1080.01.6029.32	on request
4"	101,6 x 2,11	150	100	172	132	760	1019	36	40	40810.1080.01.6030.32	on request



Closing pressure of 6 bar is only ensured with flow direction into middle port with control air pressure of at least 6 bar (max. 10 bar) – see arrow. Please review also the holding pressure chart (available separate).



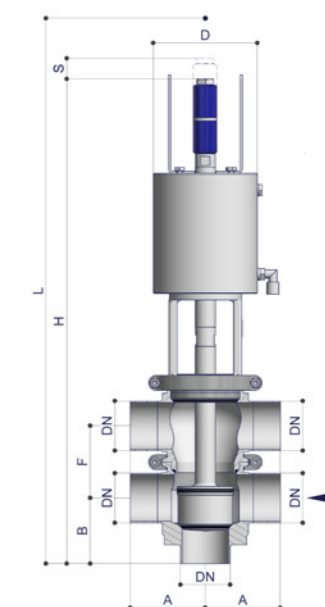
Hygienic Change Over Valve Type TT – two-piece valve body – 5 ports

pneumatic – air to open-spring to close NC

EPDM

DN DIN	Dimension	A	B	ØD	F	H	L	Stroke(S)	kg	Reference Number	Price
25	29 x 1,5	50	50	88	55	407	519	18	6,5	40810.1080.01.0004.32	on request
40	41 x 1,5	60	60	88	65	429	560	18	7,3	40810.1080.01.0006.32	on request
50	53 x 1,5	80	70	111	77	517	675	22	15	40810.1080.01.0007.32	on request
65	70 x 2	100	80	132	95	594	785	25	18	40810.1080.01.0008.32	on request
80	85 x 2	125	90	172	110	721	942	33	31	40810.1080.01.0009.32	on request
100	104 x 2	150	100	172	129	758	1017	35	38	40810.1080.01.0010.32	on request

DN Inch	Dimension	A	B	ØD	F	H	L	Stroke(S)	kg	Reference Number	Price
1"	25,4 x 1,65	50	52	88	50	414	524	18	6,3	40810.1080.01.6024.32	on request
1 1/2"	38,1 x 1,65	80	55	88	63	423	552	19	7,7	40810.1080.01.6026.32	on request
2"	50,8 x 1,65	100	65	111	75,5	508	665	23	13,5	40810.1080.01.6027.32	on request
2 1/2"	63,5 x 1,65	100	72	132	86	574	752	25	17,6	40810.1080.01.6028.32	on request
3"	76,2 x 1,65	125	80	172	101	700	907	33	29	40810.1080.01.6029.32	on request
4"	101,6 x 2,11	150	100	172	132	760	1019	36	40	40810.1080.01.6030.32	on request

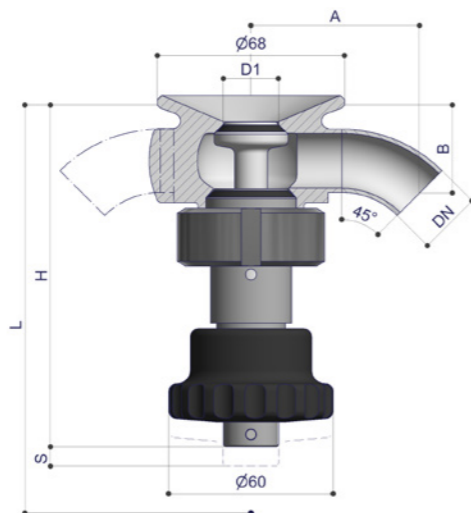


Closing pressure of 6 bar is only ensured with flow direction into middle port with control air pressure of at least 6 bar (max. 10 bar) – see arrow. Please review also the holding pressure chart (available separate).



Hygienic Bottom Seat Small Valve 45°

manual with plastic hand wheel

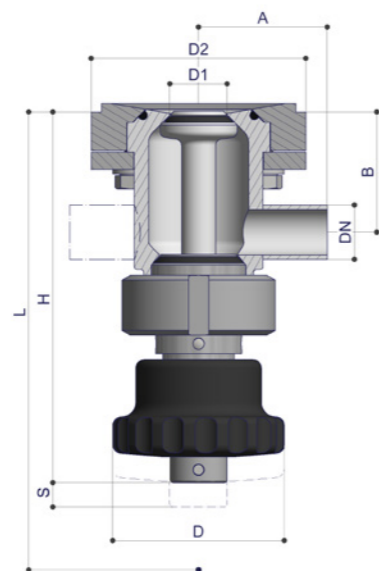


DN DIN	Dimension	1 port – EPDM				2 ports – EPDM						
		A	B	D1	H	L	Stroke(S)	kg	Reference Number	Price	Reference Number	Price
10	13 x 1,5	46	30	16	130	177	5	1,4	40704.1100.01.0001.32	on request	40704.1100.01.0101.32	on request
15	19 x 1,5	58	32	20	130	177	5	1,4	40704.1100.01.0002.32	on request	40704.1100.01.0202.32	on request
20	23 x 1,5	61	32	20	130	177	5	1,4	40704.1100.01.0003.32	on request	40704.1100.01.0303.32	on request

Valve body with turned on weld-in flange for direct welding into tank bottom.

Hygienic Bottom Seat Small Valve 90°

manual with plastic hand wheel

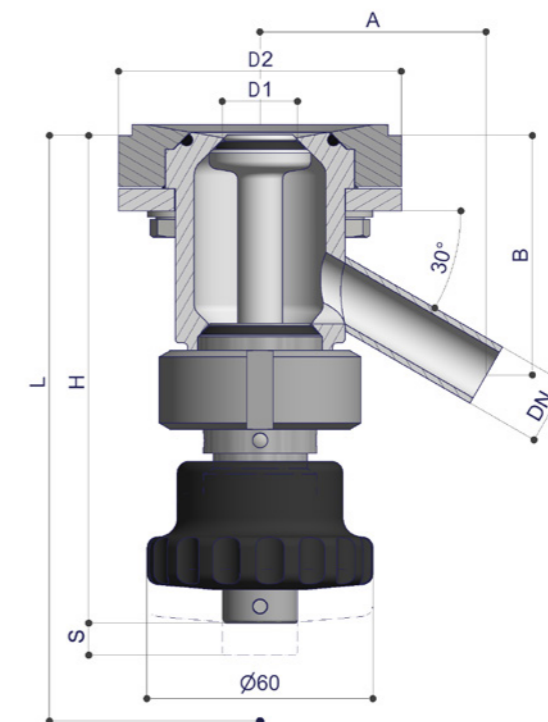


DN DIN	Dimension	1 port – EPDM				2 ports – EPDM								
		A	B	ØD	D1	D2	H	L	Stroke(S)	kg	Reference Number	Price	Reference Number	Price
10	13 x 1,5	57,5	48,5	60	20	75	132	203	10	1,4	40704.1010.01.0001.32	on request	40704.1010.01.0101.32	on request
15	19 x 1,5	45	41,5	60	20	75	132	203	10	1,4	40704.1010.01.0002.32	on request	40704.1010.01.0202.32	on request
20	23 x 1,5	45	43,5	60	20	75	132	203	10	1,4	40704.1010.01.0003.32	on request	40704.1010.01.0303.32	on request

Prices and weights without weld-in flange

Hygienic Bottom Seat Small Valve 30°

manual with plastic hand wheel

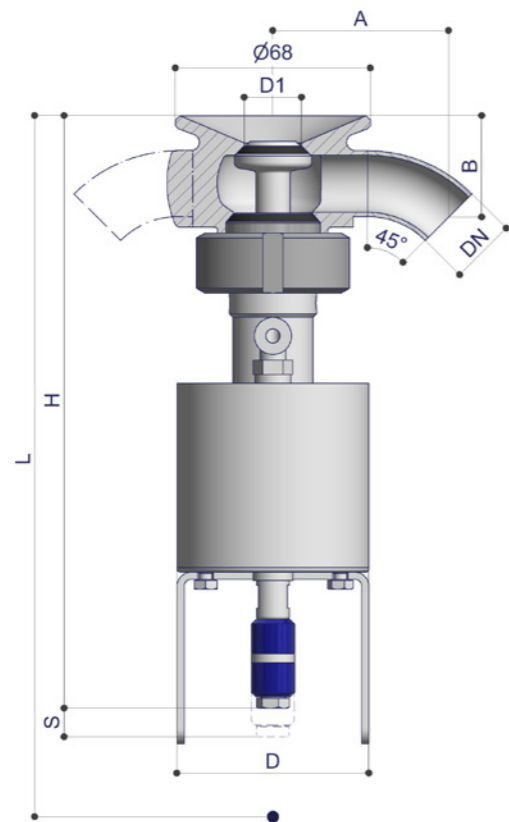


DN DIN	Dimension	1 port – EPDM									
		A	B	D1	D2	H	L	Stroke(S)	kg	Reference Number	Price
10	13 x 1,5	45	57	20	75	132	203	10	1,4	40704.1000.01.0001.32	on request
15	19 x 1,5	46	54	20	75	132	203	10	1,4	40704.1000.01.0002.32	on request
20	23 x 1,5	48	53	20	75	132	203	10	1,4	40704.1000.01.0003.32	on request

Prices and weights without weld-in flange – on request with rinsing inlet against surcharge.

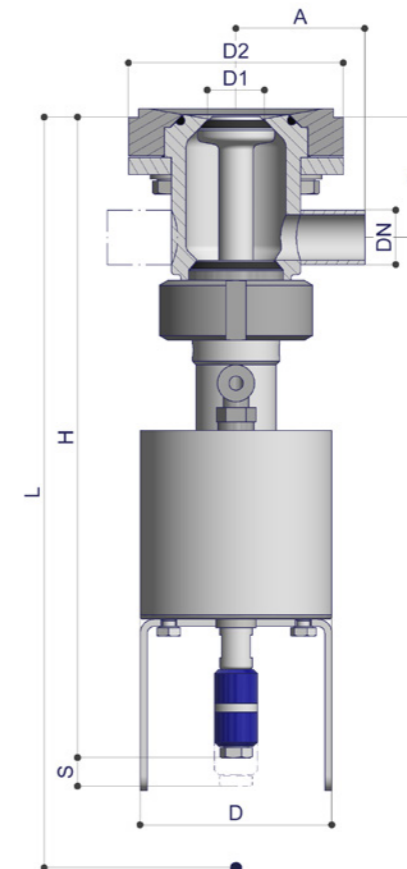
Hygienic Bottom Seat Small Valve 45°

pneumatic – air to open-spring to close NC



Hygienic Bottom Seat Small Valve 90°

pneumatic – air to open-spring to close NC



DN DIN	Dimension	1 port – EPDM				2 ports – EPDM							
		A	B	ØD	D1	H	L	Stroke(S)	kg	Reference Number	Price	Reference Number	Price
10	13 x 1,5	46	30	67	16	212	261	5	1,8	40701.1100.01.0001.32	on request	40701.1100.01.0101.32	on request
15	19 x 1,5	58	32	67	20	212	261	5	1,8	40701.1100.01.0002.32	on request	40701.1100.01.0202.32	on request
20	23 x 1,5	61	32	67	20	212	261	5	1,9	40701.1100.01.0003.32	on request	40701.1100.01.0303.32	on request

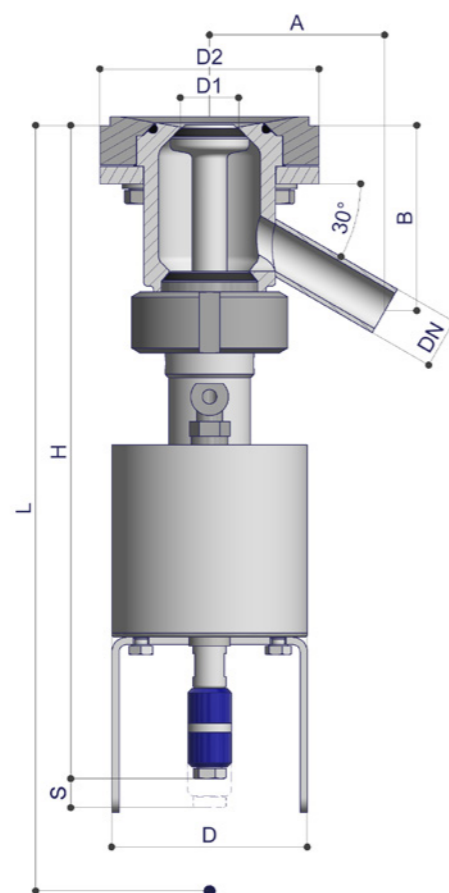
Valve body with turned on weld-in flange for direct welding into tank bottom.

DN DIN	Dimension	1 port – EPDM				2 ports – EPDM								
		A	B	ØD	D1	D2	H	L	Stroke(S)	kg	Reference Number	Price	Reference Number	Price
10	13 x 1,5	45	45	67	20	75	227	298	10	2,5	40701.1010.01.0001.32	on request	40701.1010.01.0101.32	on request
15	19 x 1,5	45	42	67	20	75	227	298	10	2,5	40701.1010.01.0002.32	on request	40701.1010.01.0202.32	on request
20	23 x 1,5	50	40	67	20	75	227	298	10	2,5	40701.1010.01.0003.32	on request	40701.1010.01.0303.32	on request

Prices and weights without weld-in flange.

Hygienic Bottom Seat Valve 30°

pneumatic – air to open-spring to close NC



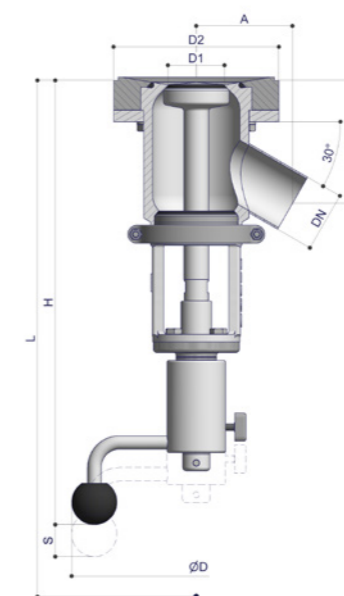
EPDM

DN DIN	Dimension	A	B	ØD	D1	D2	H	L	Stroke(S)	kg	Reference Number	Price
10	13 x 1,5	45	61	67	20	75	227	298	10	2,5	40701.1000.01.0001.32	on request
15	19 x 1,5	46	58	67	20	75	227	298	10	2,5	40701.1000.01.0002.32	on request
20	23 x 1,5	48	53	67	20	75	227	298	10	2,5	40701.1000.01.0003.32	on request

Prices and weights without weld-in flange – on request with rinsing inlet against surcharge.

Hygienic Bottom Seat Valve 30°

manual with crank handle



EPDM

DN DIN	Dimension	A	B	ØD	D1	D2	H	L	Stroke(S)	kg	Reference Number	Price
25	29 x 1,5	65	81,5	171	31	108	292	389	18	5	40740.1000.01.0004.32	on request
40	41 x 1,5	80	90	171	38	133	303	411	18	6,7	40740.1000.01.0006.32	on request
50	53 x 1,5	85	108	220	50	146	393	527	20	10,2	40740.1000.01.0007.32	on request
65	70 x 2	100	129	220	66	173	416	556	25	13,2	40740.1000.01.0008.32	on request
80	85 x 2	115	142	220	81	186	437	616	33	16	40740.1000.01.0009.32	on request
100	104 x 2	150	184	220	100	217	477	697	35	21	40740.1000.01.0010.32	on request

EPDM

DN Inch	Dimension	A	B	ØD	D1	D2	H	L	Stroke(S)	kg	Reference Number	Price
1"	25,4 x 1,65	65	83,5	171	31	108	292	389	18	5	40740.1000.01.0024.32	on request
1 ½"	38,1 x 1,65	80	92	171	38	133	303	411	18	6,7	40740.1000.01.0026.32	on request
2"	50,8 x 1,65	85	110	220	50	146	393	527	22	10	40740.1000.01.0027.32	on request
2 ½"	63,5 x 1,65	100	132	220	66	173	416	576	25	13	40740.1000.01.0028.32	on request
3"	76,2 x 1,65	115	147	220	81	186	437	616	33	16	40740.1000.01.0029.32	on request
4"	101,6 x 2,11	150	186	220	100	217	477	696	35	21	40740.1000.01.0030.32	on request

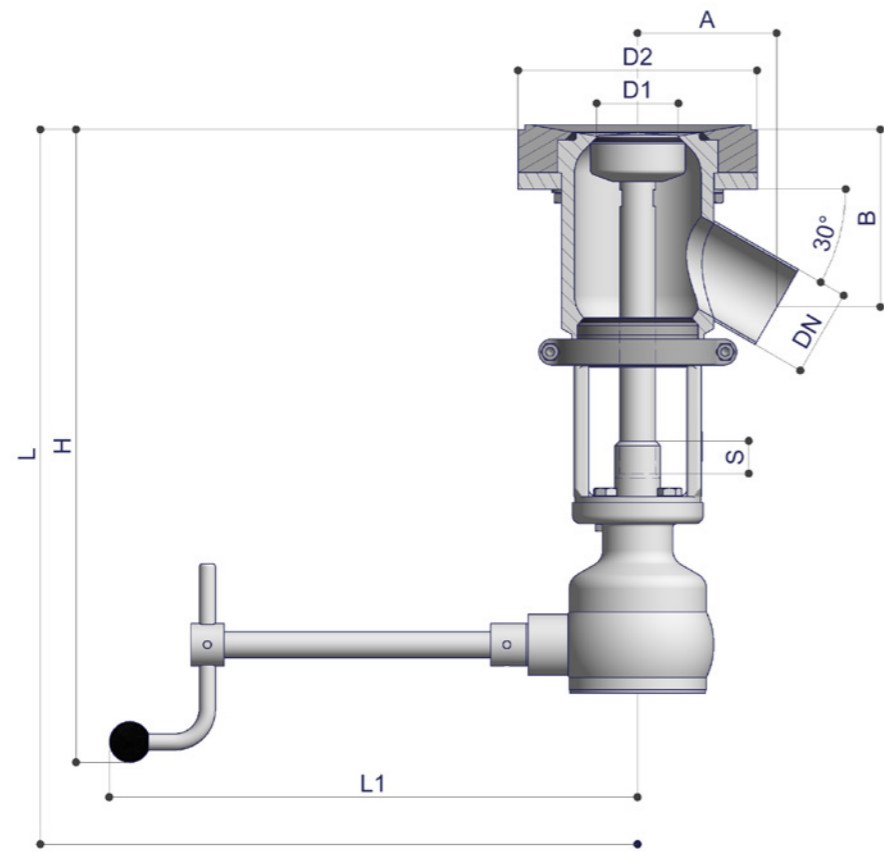
EPDM

DN ISO	Dimension	A	B	ØD	D1	D2	H	L	Stroke(S)	kg	Reference Number	Price
20	26,9 x 1,6	65	83	171	81	108	300	398	18	2,5	40740.1000.01.0043.32	on request
25	33,7 x 2	65	79	171	31	108	292	389	18	5	40740.1000.01.0044.32	on request
40	48,3 x 2	85	112	220	50	146	395	528	22	6,7	40740.1000.01.0046.32	on request
50	60,3 x 2	95	111	220	50	146	395	528	22	10,2	40740.1000.01.0047.32	on request
65	76,2 x 2,3	100	125,5	220	67,5	173	420	579	25	13,2	40740.1000.01.0048.32	on request
80	88,9 x 2,3	115	141	220	81	186	440	621	33	16	40740.1000.01.0049.32	on request
100	114,3 x 2,6	147	177	220	100	217	480	695	35	21	40740.1000.01.0050.32	on request

Prices and weights without weld-in flange – on request with rinsing inlet against surcharge.

Hygienic Bottom Seat Valve 30°

manual with bevel gear drive



EPDM

DN DIN	Dimension	A	B	D1	D2	H	L	L1	Stroke(S)	kg	Reference Number	Price
25	29 x 1,5	65	81,5	31	108	327	425	o.D.*	18	7	40750.1000.01.0004.32	on request
40	41 x 1,5	80	90	38	133	338	444	o.D.*	18	9	40750.1000.01.0006.32	on request
50	53 x 1,5	85	108,5	50	146	387	521	o.D.*	20	12	40750.1000.01.0007.32	on request
65	70 x 2	100	129	66	173	465	625	o.D.*	25	16	40750.1000.01.0008.32	on request
80	85 x 2	115	142	81	186	455	666	o.D.*	34	18	40750.1000.01.0009.32	on request
100	104 x 2	on request									40750.1000.01.0010.32	on request

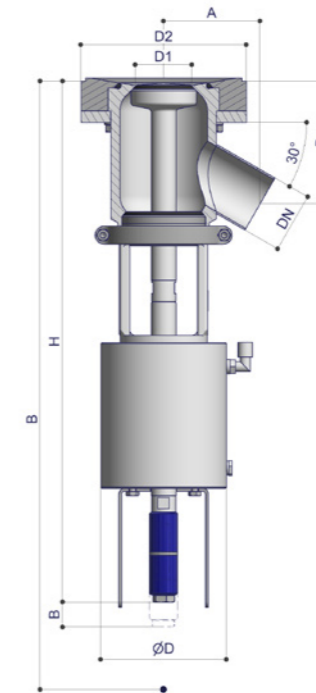
EPDM

DN Inch	Dimension	A	B	D1	D2	H	L	L1	Stroke(S)	kg	Reference Number	Price
1"	25,4 x 1,65	on request									40750.1000.01.0024.32	on request
1 1/2"	38,1 x 1,65	on request									40750.1000.01.0026.32	on request
2"	50,8 x 1,65	on request									40750.1000.01.0027.32	on request
2 1/2"	63,5 x 1,65	on request									40750.1000.01.0028.32	on request
3"	76,2 x 1,65	on request									40750.1000.01.0029.32	on request
4"	101,6 x 2,11	on request									40750.1000.01.0030.32	on request

* on Demand: In case of order we request dimension of handle extension.
Prices and weights without weld-in flange - on request with rinsing inlet against surcharge.

Hygienic Bottom Seat Valve 30°

pneumatic - air to open-spring to close NC



EPDM

DN DIN	Dimension	A	B	ØD	D1	D2	H	L	Stroke(S)	kg	Reference Number	Price
25	29 x 1,5	65	81,5	88	31	108	367	464	18	6,1	40710.1000.01.0004.32	on request
40	41 x 1,5	80	90	88	38	133	378	468	18	8,9	40710.1000.01.0006.32	on request
50	53 x 1,5	85	108	111	50	146	460	594	22	16,1	40710.1000.01.0007.32	on request
65	70 x 2	100	129	132	66	173	527	687	25	20,8	40710.1000.01.0008.32	on request
80	85 x 2	115	142	172	81	186	642	821	33	30	40710.1000.01.0009.32	on request
100	104 x 2	150	184	172	100	217	680	900	36	38	40710.1000.01.0010.32	on request

EPDM

DN Inch	Dimension	A	B	ØD	D1	D2	H	L	Stroke(S)	kg	Reference Number	Price
1"	25,4 x 1,65	65	84	88	31	108	367	464	14	6,1	40710.1000.01.0024.32	on request
1 1/2"	38,1 x 1,65	80	92	88	38	133	378	486	14	8,1	40710.1000.01.0026.32	on request
2"	50,8 x 1,65	85	110	111	50	146	460	594	20	16,1	40710.1000.01.0027.32	on request
2 1/2"	63,5 x 1,65	100	132	132	66	173	527	687	22	20,8	40710.1000.01.0028.32	on request
3"	76,2 x 1,65	115	147	172	81	186	642	821	30	25,5	40710.1000.01.0029.32	on request
4"	101,6 x 2,11	150	186	168	100	217	690	910	32	29,7	40710.1000.01.0030.32	on request

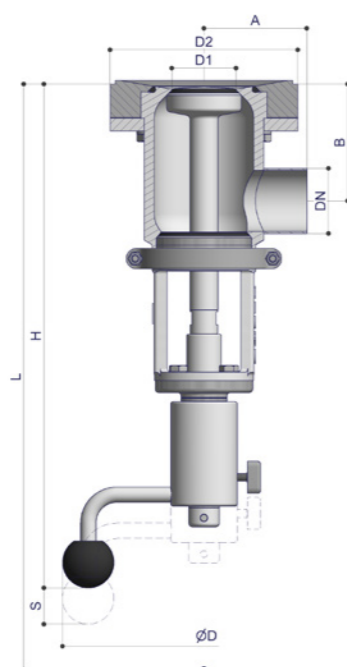
EPDM

DN ISO	Dimension	A	B	ØD	D1	D2	H	L	Stroke(S)	kg	Reference Number	Price
20	26,9 x 1,6	65	83	88	31	108	376	473	18	2,5	40710.1000.01.0043.32	on request
25	33,7 x 2	65	79	88	31	108	373	470	18	6,1	40710.1000.01.0044.32	on request
40	48,3 x 2	85	111	133	50	146	462	595	22	8,9	40710.1000.01.0046.32	on request
50	60,3 x 2	95	110,5	146	50	146	462	595	22	16,1	40710.1000.01.0047.32	on request
65	76,2 x 2,3	100	125	173	66	173	532	690	25	20,8	40710.1000.01.0048.32	on request
80	88,9 x 2,3	115	141	186	81	186	645	826	33	30	40710.1000.01.0049.32	on request
100	114,3 x 2,6	150	186	217	100	217	690	910	35	38	40710.1000.01.0050.32	on request

Prices and weights without weld-in flange - on request with rinsing inlet against surcharge.

Hygienic Bottom Seat Valve 90°

manual with crank handle



EPDM

DN DIN	Dimension	A	B	ØD	D1	D2	H	L	Stroke(S)	kg	Reference Number	Price
25	29 x 1,5	60	68,5	171	31	108	320	403	18	3,7	40740.1010.01.0004.32	on request
40	41 x 1,5	70	73,5	171	38	133	330	411	18	6,7	40740.1010.01.0006.32	on request
50	53 x 1,5	80	94	220	50	146	420	527	20	7,6	40740.1010.01.0007.32	on request
65	70 x 2	95	112,5	220	66	173	450	576	25	10,1	40740.1010.01.0008.32	on request
80	85 x 2	105	124	220	81	186	475	616	33	12,5	40740.1010.01.0009.32	on request
100	104 x 2	120	155	220	100	217	520	696	35	16,9	40740.1010.01.0010.32	on request

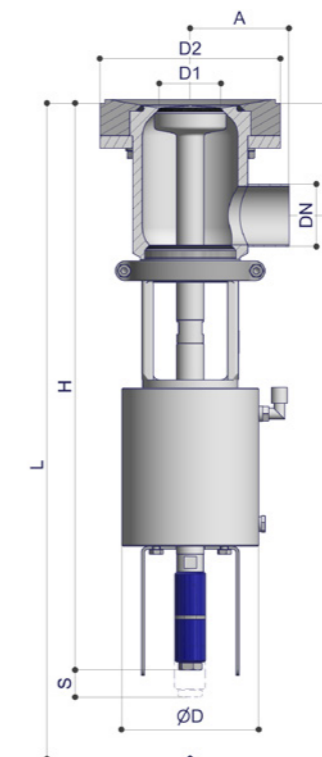
DN Inch	Dimension	A	B	ØD	D1	D2	H	L	Stroke(S)	kg	Reference Number	Price
1"	25,4 x 1,65	60	68,5	171	31	108	320	389	18	3,7	40740.1010.01.0024.32	on request
1 ½"	38,1 x 1,65	70	73,5	171	38	133	330	411	18	6,7	40740.1010.01.0026.32	on request
2"	50,8 x 1,65	80	94	220	50	146	420	527	20	7,6	40740.1010.01.0027.32	on request
2 ½"	63,5 x 1,65	95	112,5	220	66	173	450	577	25	10,1	40740.1010.01.0028.32	on request
3"	76,2 x 1,65	105	124	220	81	186	475	616	33	12,5	40740.1010.01.0029.32	on request
4"	101,6 x 2,11	120	155	220	100	217	520	697	35	16,9	40740.1010.01.0030.32	on request

DN ISO	Dimension	A	B	D1	D2	H	L	L1	Stroke(S)	kg	Reference Number	Price
20	26,9 x 1,6										40740.1010.01.0043.32	on request
25	33,7 x 2										40740.1010.01.0044.32	on request
40	48,3 x 2										40740.1010.01.0046.32	on request
50	60,3 x 2										40740.1010.01.0047.32	on request
65	76,2 x 2,3										40740.1010.01.0048.32	on request
80	88,9 x 2,3										40740.1010.01.0049.32	on request
100	114,3 x 2,6										40740.1010.01.0050.32	on request

Prices and weights without weld-in flange – on request with rinsing inlet against surcharge.

Hygienic Bottom Seat Valve 90°

pneumatic – air to open-spring to close NC



EPDM

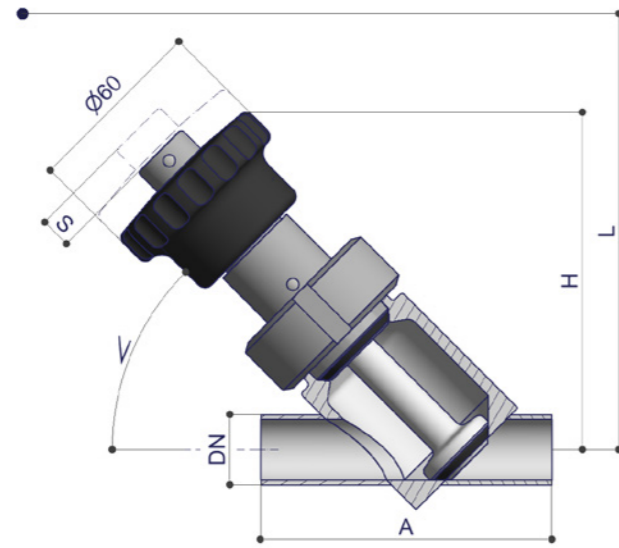
DN DIN	Dimension	A	B	ØD	D1	D2	H	L	Stroke(S)	kg	Reference Number	Price
25	29 x 1,5	60	68,5	88	31	108	315	464	18	6,1	40710.1010.01.0004.32	on request
40	41 x 1,5	70	73,5	88	38	133	330	486	18	8,1	40710.1010.01.0006.32	on request
50	53 x 1,5	80	94	111	50	146	399	594	20	16,1	40710.1010.01.0007.32	on request
65	70 x 2	95	112,5	132	66	173	466	688	22	20,8	40710.1010.01.0008.32	on request
80	85 x 2	105	124	172	81	186	529	821	30	25,5	40710.1010.01.0009.32	on request
100	104 x 2	120	155	172	100	217	572	900	32	29,7	40710.1010.01.0010.32	on request

DN Inch	Dimension	A	B	ØD	D1	D2	H	L	Stroke(S)	kg	Reference Number	Price
1"	25,4 x 1,65	60	68,5	88	31	108	315	464	18	6,1	40710.1010.01.0024.32	on request
1 ½"	38,1 x 1,65	70	73,5	88	38	133	330	486	18	8,1	40710.1010.01.0026.32	on request
2"	50,8 x 1,65	80	94	111	50	146	399	594	20	16,1	40710.1010.01.0027.32	on request
2 ½"	63,5 x 1,65	95	112,5	132	66	173	466	687	22	20,8	40710.1010.01.0028.32	on request
3"	76,2 x 1,65	105	124	172	81	186	529	821	30	25,5	40710.1010.01.0029.32	on request
4"	101,6 x 2,11	120	155	168	100	217	572	900	32	29,7	40710.1010.01.0030.32	on request

DN ISO	Dimension	A	B	D1	D2	H	L	L1	Stroke(S)	kg	Reference Number	Price
20	26,9 x 1,6										40740.1010.01.0043.32	on request
25	33,7 x 2										40740.1010.01.0044.32	on request
40	48,3 x 2										40740.1010.01.0046.32	on request
50	60,3 x 2										40740.1010.01.0047.32	on request
65	76,2 x 2,3										40740.1010.01.0048.32	on request
80	88,9 x 2,3										40740.1010.01.0049.32	on request
100	114,3 x 2,6										40740.1010.01.0050.32	on request

Prices and weights without weld-in flange – on request with rinsing inlet against surcharge.

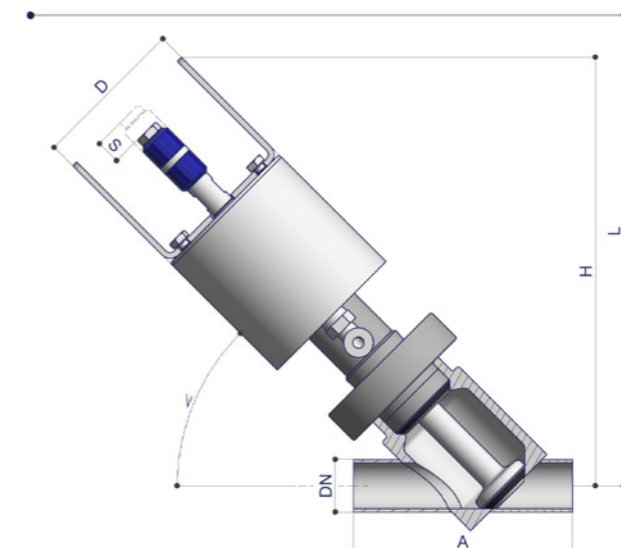
Hygienic Inclined Seat Valve
manual with plastic hand wheel



EPDM

DN DIN	Dimension	A	<	ØD	H	L	Stroke(S)	kg	Reference Number	Price
15	19 x 1,5	95	45°	60	116	168	10	1,6	40542.1000.01.0002.32	on request
20	23 x 1,5	95	45°	60	103	152	10	1,6	40542.1000.01.0003.32	on request

Hygienic Inclined Seat Valve
pneumatic – air to open-spring to close NC



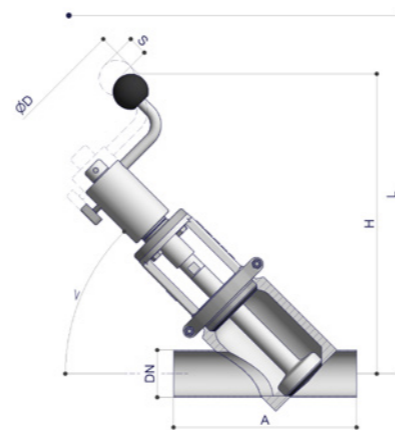
EPDM

DN DIN	Dimension	A	<	ØD	H	L	Stroke(S)	kg	Reference Number	Price
15	19 x 1,5	95	45°	67	189	240	10	2,3	40510.1000.01.0002.32	on request
20	23 x 1,5	95	45°	67	187	240	10	2,3	40510.1000.01.0003.32	on request

Hygienic Inclined Seat Valve
manual with crank handle

EPDM

DN DIN	Dimension	A	<	ØD	H	L	Stroke(S)	kg	Reference Number	Price
25	29 x 1,5	140	45°	171	258	323	18	3,5	40540.1000.01.0004.32	on request
40	41 x 1,5	170	45°	171	261	323	16	4,2	40540.1000.01.0006.32	on request
50	53 x 1,5	205	45°	220	337	426	22	8	40540.1000.01.0007.32	on request
65	70 x 2	250	40°	220	332	428	25	9	40540.1000.01.0008.32	on request
80	85 x 2	on request		on request		on request		40540.1000.01.0009.32	on request	
100	104 x 2	on request		on request		on request		40540.1000.01.0010.32	on request	



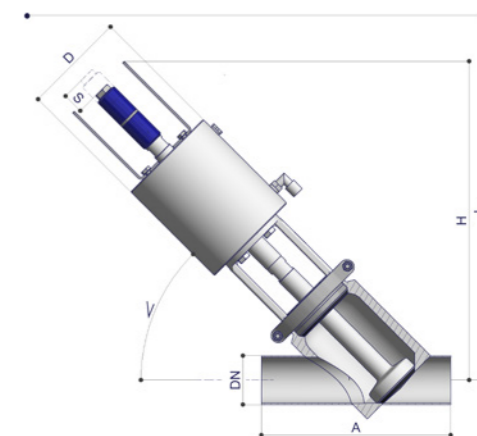
EPDM

DN Inch	Dimension	A	<	ØD	H	L	Stroke(S)	kg	Reference Number	Price
1"	25,4 x 1,65	125	45°	171	255	317	18	3,5	40540.1000.01.0024.32	on request
1 1/2"	38,1 x 1,65	170	45°	171	262	318	16	4,2	40540.1000.01.0026.32	on request
2"	50,8 x 1,65	205	45°	220	357	452	27	8	40540.1000.01.0027.32	on request
2 1/2"	63,5 x 1,65	255	40°	220	335	430	22	9,5	40540.1000.01.0028.32	on request
3"	76,2 x 1,65	305	40°	220	344	457	34	13	40540.1000.01.0029.32	on request
4"	101,6 x 2,11	350	40°	220	368	508	33	16	40540.1000.01.0030.32	on request

Hygienic Inclined Seat Valve
pneumatic – air to open-spring to close NC

EPDM

DN DIN	Dimension	A	<	ØD	H	L	Stroke(S)	kg	Reference Number	Price
25	29 x 1,5	140	45°	88	280	349	18	5,4	40510.1000.01.0004.32	on request
40	41 x 1,5	170	45°	88	283	358	18	6,2	40510.1000.01.0006.32	on request
50	53 x 1,5	205	45°	111	346	442	22	12	40510.1000.01.0007.32	on request
65	70 x 2	250	40°	132	358	461	25	15,5	40510.1000.01.0008.32	on request
80	85 x 2	300	40°	172	426	542	33	27	40510.1000.01.0009.32	on request
100	104 x 2	350	40°	172	450	591	36	30	40510.1000.01.0010.32	on request



EPDM

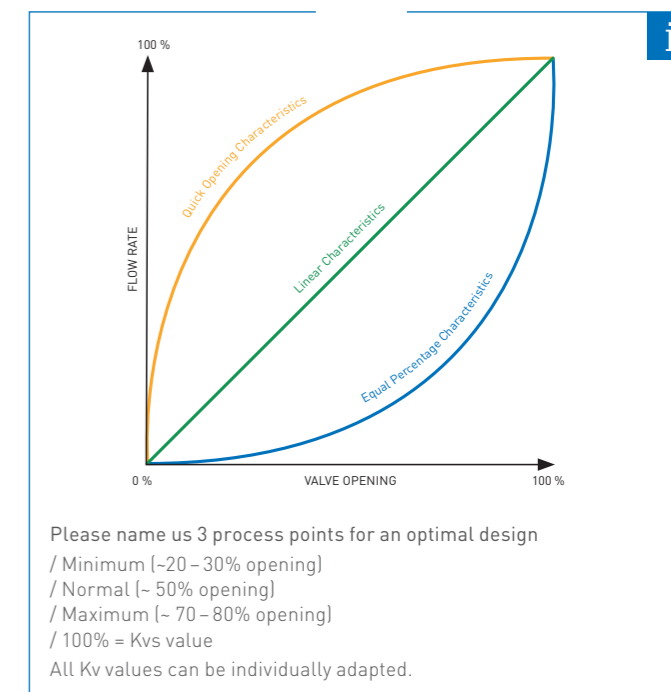
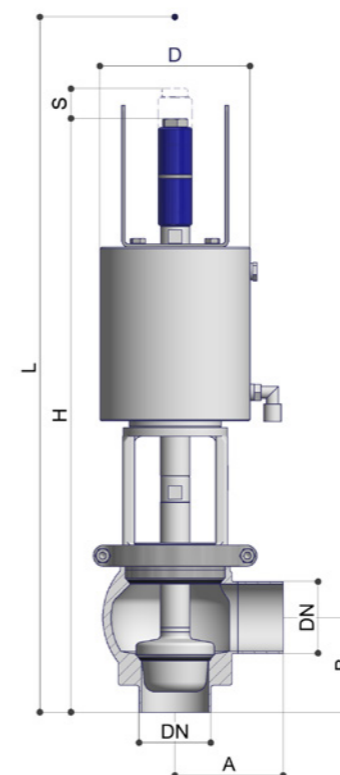
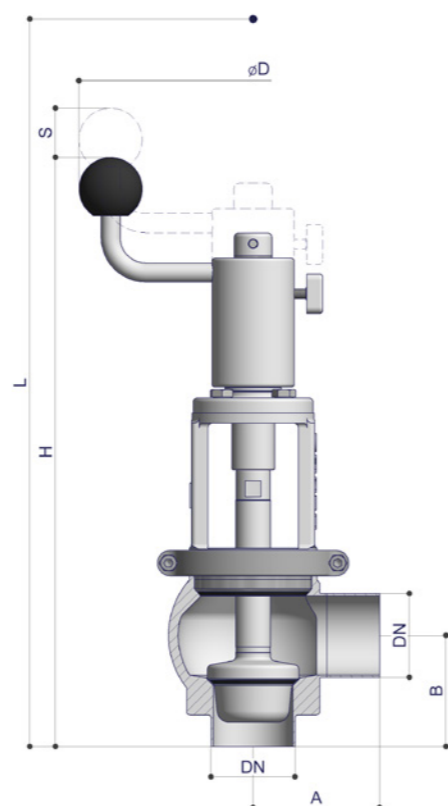
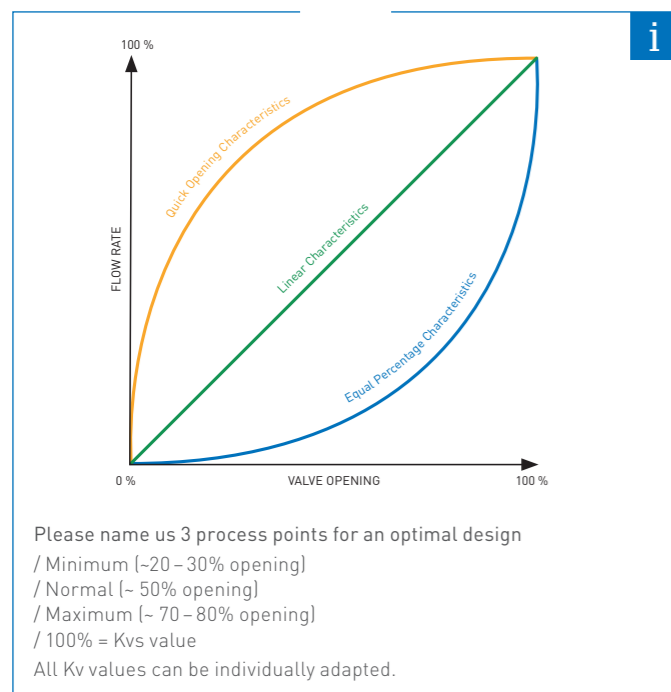
DN Inch	Dimension	A	<	ØD	H	L	Hub(S)	kg	Reference Number	Price
1"	25,4 x 1,65	125	45°	88	278	343	18	5,4	40510.1000.01.0024.32	on request
1 1/2"	38,1 x 1,65	170	45°	88	283	359	16	6,2	40510.1000.01.0026.32	on request
2"	50,8 x 1,65	205	45°	111	347	443	22	12	40510.1000.01.0027.32	on request
2 1/2"	63,5 x 1,65	255	40°	132	358	459	21	15,5	40510.1000.01.0028.32	on request
3"	76,2 x 1,65	305	40°	172	424	537	28	27	40510.1000.01.0029.32	on request
4"	101,6 x 2,11	350	40°	172	449	589	33	30	40510.1000.01.0030.32	on request

Hygienic Regulating Right Angle Valve

manual with crank handle

Hygienic Regulating Right Angle Valve

pneumatic – air to open-spring to close NC – for Bürkert Positioner



EPDM

DN DIN	Dimension	A	B	ØD	H	L	Stroke(S)	kg	Reference Number	Price
25	29 x 1,5	50	50	171	276	351	19	3,4	41040.1000.01.0004.32	on request
40	41 x 1,5	60	60	171	293	372	18	4,4	41040.1000.01.0006.32	on request
50	53 x 1,5	80	70	220	370	470	30	7	41040.1000.01.0007.32	on request
65	70 x 2	100	80	220	385	501	33	9	41040.1000.01.0008.32	on request
80	85 x 2	125	90	220	409	539	30	11,5	41040.1000.01.0009.32	on request
100	104 x 2	150	100	220	427	580	43	14,5	41040.1000.01.0010.32	on request

EPDM

DN Inch	Dimension	A	B	ØD	H	L	Stroke(S)	kg	Reference Number	Price
1"	25,4 x 1,65	50	50	171	275	348	18	3,4	41040.1000.01.6024.32	on request
1 ½"	38,1 x 1,65	60	60	171	291	377	18	4,2	41040.1000.01.6026.32	on request
2"	50,8 x 1,65	80	65	220	366	459	26	7	41040.1000.01.6027.32	on request
2 ½"	63,5 x 1,65	100	70	220	385	488	30	9,5	41040.1000.01.6028.32	on request
3"	76,2 x 1,65	120	80	220	390	522	35	11,5	41040.1000.01.6029.32	on request
4"	101,6 x 2,11	150	90	220	416	570	43	14,3	41040.1000.01.6030.32	on request

In case of order, details to working conditions are required like media, viscosity, temperature, incoming and outgoing pressure resp. pressure loss and flow quantity.

EPDM

DN DIN	Dimension	A	B	ØD	H	L	Stroke(S)	kg	Reference Number	Price
25	29 x 1,5	50	50	88	352	411	18	5,4	41010.1000.01.0004.32	on request
40	41 x 1,5	60	60	88	368	437	18	6,2	41010.1000.01.0006.32	on request
50	53 x 1,5	80	70	111	440	520	22	10,	41010.1000.01.0007.32	on request
65	70 x 2	100	80	132	499	615	25	15,2	41010.1000.01.0008.32	on request
80	85 x 2	125	90	172	612	750	34	25	41010.1000.01.0009.32	on request
100	104 x 2	150	100	172	627	789	32	29,5	41010.1000.01.0010.32	on request

EPDM

DN Inch	Dimension	A	B	ØD	H	L	Stroke(S)	kg	Reference Number	Price
1"	25,4 x 1,65	50	50	88	350	424	18	5,4	41010.1000.01.6024.32	on request
1 ½"	38,1 x 1,65	80	55	88	362	440	18	6,2	41010.1000.01.6026.32	on request
2"	50,8 x 1,65	80	65	111	442	535	29,5	11	41010.1000.01.6027.32	on request
2 ½"	63,5 x 1,65	100	70	132	489	595	22	15,2	41010.1000.01.6028.32	on request
3"	76,2 x 1,65	120	80	172	597	725	35	24	41010.1000.01.6029.32	on request
4"	101,6 x 2,11	150	90	172	621	769	33	29	41010.1000.01.6030.32	on request

Weights without adapter and positioner.
 Plus surcharge for adapter and positioner 8692 or 8694 – see chapter of control tops.

Gasket Kits

for Right Angle Valves Type L, Double Right Angle Valves Type T, Cross Valves Type TT

DN DIN	EPDM		FKM	
	Reference Number	Price	Reference Number	Price
10 - 20	5005458	on request	5005459	on request
25	5001272	on request	5003239	on request
40	5001615	on request	5003789	on request
50	5002464	on request	5004367	on request
65	5002340	on request	5004368	on request
80	5003551	on request	5006557	on request
100	5004329	on request	5006348	on request

DN Inch	EPDM		FKM	
	Reference Number	Price	Reference Number	Price
1"	5000323	on request	5008405	on request
1 1/2"	5007179	on request	5008406	on request
2"	5007175	on request	5008407	on request
2 1/2"	5007176	on request	5008408	on request
3"	5007177	on request	5008266	on request
4"	5007178	on request	5008410	on request

/ other sealing materials on request

Gasket Kits

for Change Over Valve Type LL, TL, LT and TT

DN DIN	one-piece valve body				two-piece valve body			
	EPDM		FKM		EPDM		FKM	
	Reference Number	Price	Reference Number	Price	Reference Number	Price	Reference Number	Price
10 - 20	5004426	on request	5004514	on request	5001574	on request	5008403	on request
25	5003666	on request	5004515	on request	5004472	on request	5008402	on request
40	5001744	on request	5004369	on request	5004450	on request	5004449	on request
50	5002912	on request	5004382	on request	5005431	on request	5004739	on request
65	5002447	on request	5004380	on request	5005455	on request	5007845	on request
80	5003367	on request	5004381	on request	5005422	on request	5008400	on request
100	5004333	on request	5004383	on request	5004474	on request	5008401	on request

DN Inch	one-piece valve body				two-piece valve body			
	EPDM		FKM		EPDM		FKM	
	Reference Number	Price	Reference Number	Price	Reference Number	Price	Reference Number	Price
1"	5008409	on request	on request	on request	5008414	on request	on request	on request
1 1/2"	5007204	on request	on request	on request	5008416	on request	on request	on request
2"	5007205	on request	on request	on request	5008417	on request	on request	on request
2 1/2"	5007173	on request	on request	on request	5008418	on request	on request	on request
3"	5007358	on request	on request	on request	5007737	on request	on request	on request
4"	5007679	on request	on request	on request	5007662	on request	on request	on request

/ other sealing materials on request

Gasket Kits for Bottom Seat Small Valve

with turned-on weld-in flange

DN DIN/Inch	Reference Number	Price
10 - 20	5005114	on request

Gasket Kits for Bottom Seat Valves

DN DIN/Inch	EPDM		FKM	
	Reference Number	Price	Reference Number	Price
10 - 20	5003296	on request	on request	on request
25 / 1"	5002121	on request	5006833	on request
40 / 1 1/2"	5003447	on request	5004673	on request
50 / 2"	5003221	on request	5004521	on request
65 / 2 1/2"	5002755	on request	5004520	on request
80 / 3"	5003295	on request	5004813	on request
100 / 4"	5005155	on request	5006834	on request

O-Ring for Bottom Seat weld-in flange

EPDM

DN DIN	Dimension	Reference Number	Price
10 - 20	34 x 3	1001205	on request
25	50 x 5	1001206	on request
40	58 x 5	1000115	on request
50	72 x 5	1001208	on request
65	90 x 5	1001491	on request
80	100 x 5	1000812	on request
100	130 x 5	1001401	on request

/ other materials on request



Download the sealing guide here

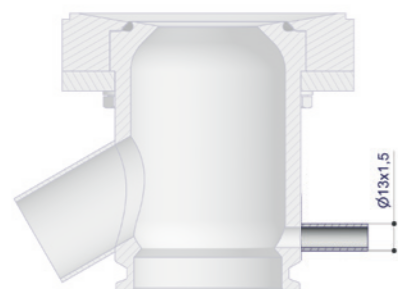
Gasket Kits for Inclined Seat Valve

DN DIN/Inch	EPDM		FKM	
	Reference Number	Price	Reference Number	Price
15 - 20	5002215	on request	5006326	on request
25 / 1"	5002081	on request	5002864	on request
40 / 1 1/2"	5002347	on request	5002865	on request
50 / 2"	5001365	on request	5002866	on request
65 / 2 1/2"	5001836	on request	5002867	on request
80 / 3"	5001834	on request	5002868	on request
100 / 4"	5002084	on request	5002869	on request

/ other sealing materials on request

Rinsing Port for Bottom Seat Valves

for all sizes



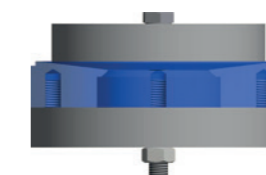
Ø13 mm x 1,5 mm	
Reference Number	Price
9000000003899	on request

/ other rinsing inlet sizes and materials on request
/ Material: 1.4404

Weld-in Devices for Weld-in Flanges

for bottom seat valves

DN DIN	DN ISO	kg	Reference Number	Price
10-20	10-15	0,7	5005332	on request
25	20	1,0	5005615	on request
40	32	1,3	5005616	on request
50	40-50	3,5	5005617	on request
65	65	4,5	5005618	on request
80	80	5,1	5005516	on request
100	100	6,8	5005614	on request

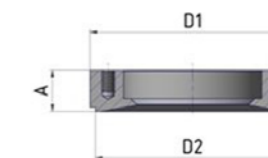


/ Material: Aluminium
/ for protection of valve seat
/ almost indefinitely reusable if used properly
/ more details on request
/ not discountable

Weld-in Flanges

for bottom seat valve – with EPDM O-ring

DN DIN	DN ISO	D1	D2	A	kg	Reference Number	Price
10 - 20	10-15	75	68	16,5	1,0	40700.0000.01.0003.31	on request
25	20	108	100	23	1,6	40700.0000.01.0004.31	on request
40	32	133	125	29	1,8	40700.0000.01.0006.31	on request
50	40-50	146	138	29	2,2	40700.0000.01.0007.31	on request
65	65	173	165	30	3,0	40700.0000.01.0008.31	on request
80	80	186	176	33,5	3,4	40700.0000.01.0009.31	on request
100	100	217	209	34	4,5	40700.0000.01.0010.31	on request

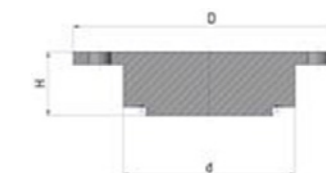


/ Material: 1.4404
/ for tank wall thickness 3 mm
/ for other wall thickness on request

Blind Flanges (= Counter Parts to Weld-in Flanges)

for bottom seat valve – with EPDM O-ring

DN DIN	DN ISO	D	d	H	kg	Reference Number	Price
10 - 20	10-15	75	50	20,9	0,9	5004640	on request
25	20	108	71	25,8	1,5	5004620	on request
40	32	133	84	30,6	1,7	5003009	on request
50	40-50	146	98	30,6	2,1	5003005	on request
65	65	173	119	31,1	2,8	5003006	on request
80	80	186	138	35	3,2	5003007	on request
100	100	217	167	35	4,2	5003008	on request

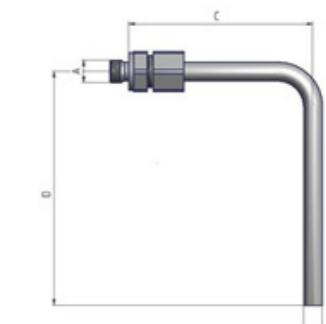


/ Material: 1.4404
/ not discountable

Leakage Drain

for leakage ports

A (Inch)	B	C	D	Reference Number	Price
1/8"	8 x 1	78,5	100	5030018	on request



/ not discountable



RIEGER LCV Single Seat Valves are found in the plants of food industries. They combine the advantages of the dead leg free valve body with the concept of the maintenance-free welded pneumatic actuator. The spring-loaded actuator can be used as spring-closing as well as spring opening by easy turning. Right angle and change-over valves are based on the same bodies. They can be combined in many ways and thus diminish the spare part costs. In daily use, the LCV valves grant high flexibility inside the system and the perfect application for your liquid products.

DESIGN

- / high-grade inner surfaces
- / no sump, no dome

SERVICEABILITY

- / seal replacement without special tools
- / perfectly cleanable

EFFICIENCY

- / standard seals
- / only 3 actuators for all sizes in our building block system
- / for 6 valve sizes

CONSTRUCTION OF THE VALVE

- / massive valve housing
- / no dead spaces
- / completely draining
- / many possible installation orientations

MATERIAL

- / in contact with product 1.4404/AISI 316L
- / not in contact with product 1.4301/AISI 304
- / all Valves are available in special alloys, such as Hastelloy® C-22, 1.4539/904L, 1.4529, AL-6XN® and others

GASKETS

- / EPDM or FKM (others on request)

TEMPERATURES

- / maximum continuous operation 130 °C* (EPDM)
- / steam sterilization 150 °C* short-time (approx. 20 min) (EPDM)

PRESSURE

- / closing pressure 6 bar
- but DN 100/4" 4.5 bar
- / air pressure min. 6 bar / max. 10 bar

SURFACES

- / in contact with product Ra ≤ 0,8 µm (32 µin) mechanically polished
- / not in contact with product Ra ≤ 1,6 µm (63 µin) mechanically polished
- / higher quality surface finishes and e-polishing available upon request

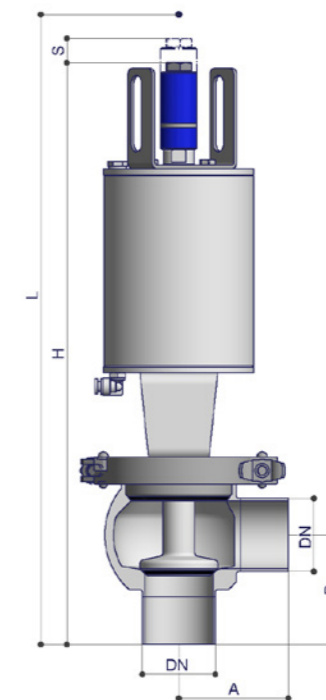
CONNECTIONS STANDARD-PIPE CLASSES

- / DIN 11850-R2 (DIN 11866-A)
- / O.D.-Tube (DIN 11866-C)

* dependent upon operating conditions

LCV Right Angle Valve Type L

pneumatic – air to open-spring to close NC



DN DIN	Dimension	A	B	H	L	Stroke(S)	kg	EPDM		FKM	
								Reference Number	Price	Reference Number	Price
25	29 x 1,5	50	50	296	349	10,5	3,6	60010.1000.01.0004.32	on request	60010.1000.03.0004.32	on request
40	41 x 1,5	60	60	384	449	19,5	7,3	60010.1000.01.2706.32	on request	60010.1000.03.2706.32	on request
50	53 x 1,5	70	70	400	476	19,5	8,3	60010.1000.01.0007.32	on request	60010.1000.03.0007.32	on request
65	70 x 2	80	80	454	547	26,5	15,2	60010.1000.01.2908.32	on request	60010.1000.03.2908.32	on request
80	85 x 2	90	90	471	579	26,5	18	60010.1000.01.0009.32	on request	60010.1000.03.0009.32	on request
100	104 x 2	100	100	491	618	26,5	20	60010.1000.01.2910.32	on request	60010.1000.03.2910.32	on request

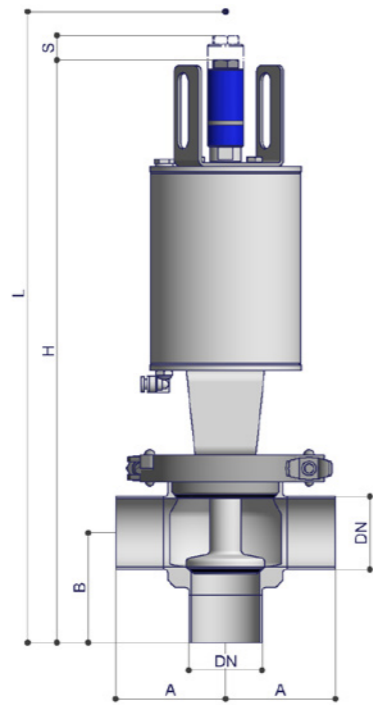
DN Inch	Dimension	A	B	H	L	Stroke(S)	kg	Reference Number	Price	Reference Number	Price
1"	25,4 x 1,65	50,8	50,8	296	349	10,5	3,6	60010.1000.01.0024.32	on request	60010.1000.03.0024.32	on request
1 ½"	38,1 x 1,65	57,2	57,2	384	449	19,5	7,3	60010.1000.01.2726.32	on request	60010.1000.03.2726.32	on request
2"	50,8 x 1,65	76,2	76,2	400	476	19,5	8,3	60010.1000.01.0027.32	on request	60010.1000.03.0027.32	on request
2 ½"	63,5 x 1,65	76,2	76,2	454	547	26,5	15,2	60010.1000.01.2928.32	on request	60010.1000.03.2928.32	on request
3"	76,2 x 1,65	82,6	82,6	471	579	26,5	18	60010.1000.01.0029.32	on request	60010.1000.03.0029.32	on request
4"	101,6 x 2,11	98,3	98,3	491	618	26,5	20	60010.1000.01.2930.32	on request	60010.1000.03.2930.32	on request

Valve item number of drive version for	Reference Number	Price
spring opening-air closing NO	60020...	same price
air opening-air closing	60030...	same price

An overview of the actuator sizes used as well as the article numbers for ordering spare actuators can be found at the end of this chapter.

LCV Double Right Angle Valve Type T

pneumatic – air to open-spring to close NC



DN DIN	Dimension	EPDM						FKM			
		A	B	H	L	Stroke(S)	kg	Reference Number	Price	Reference Number	Price
25	29 x 1,5	50	50	296	349	10,5	3,6	60110.1000.01.0004.32	on request	60110.1000.03.0004.32	on request
40	41 x 1,5	60	60	384	449	19,5	7,3	60110.1000.01.2706.32	on request	60110.1000.03.2706.32	on request
50	53 x 1,5	70	70	400	476	19,5	8,3	60110.1000.01.0007.32	on request	60110.1000.03.0007.32	on request
65	70 x 2	80	80	454	547	26,5	15,2	60110.1000.01.2908.32	on request	60110.1000.03.2908.32	on request
80	85 x 2	90	90	471	579	26,5	18	60110.1000.01.0009.32	on request	60110.1000.03.0009.32	on request
100	104 x 2	100	100	491	618	26,5	20	60110.1000.01.2910.32	on request	60110.1000.03.2910.32	on request

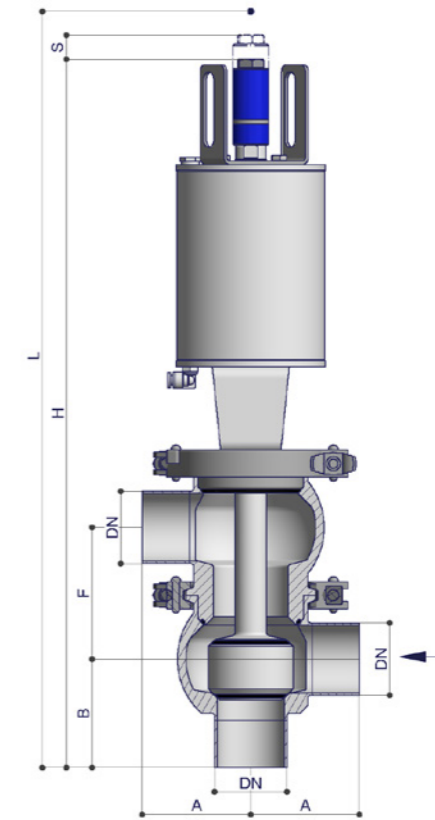
DN Inch	Dimension	EPDM						FKM			
		A	B	H	L	Stroke(S)	kg	Reference Number	Price	Reference Number	Price
1"	25,4 x 1,65	50,8	50,8	296	349	10,5	3,6	60110.1000.01.0024.32	on request	60110.1000.03.0024.32	on request
1 1/2"	38,1 x 1,65	57,2	57,2	384	449	19,5	7,3	60110.1000.01.2726.32	on request	60110.1000.03.2726.32	on request
2"	50,8 x 1,65	76,2	76,2	400	476	19,5	8,3	60110.1000.01.0027.32	on request	60110.1000.03.0027.32	on request
2 1/2"	63,5 x 1,65	76,2	76,2	454	547	26,5	15,2	60110.1000.01.2928.32	on request	60110.1000.03.2928.32	on request
3"	76,2 x 1,65	82,6	82,6	471	579	26,5	18	60110.1000.01.0029.32	on request	60110.1000.03.0029.32	on request
4"	101,6 x 2,11	98,3	98,3	491	618	26,5	20	60110.1000.01.2930.32	on request	60110.1000.03.2930.32	on request

Valve item number of drive version for	Reference Number	Price
spring opening-air closing NO	60120...	same price
air opening-air closing	60130...	same price

An overview of the actuator sizes used as well as the article numbers for ordering spare actuators can be found at the end of this chapter.

LCV Change-Over Valve Type LL

pneumatic – air to open-spring to close NC – 3 ports – two-piece-body



Closing pressure of 6 bar is only ensured with flow direction into middle port with control air pressure of at least 6 bar (max. 10 bar) – see arrow. Please review also the holding pressure chart (available separate).

DN DIN	Dimension	EPDM						FKM				
		A	B	F	H	L	Stroke(S)	kg	Reference Number	Price	Reference Number	Price
25	29 x 1,5	50	50	60	356	470	8	4,9	60810.1000.01.0004.32	on request	60810.1000.03.0004.32	on request
40	41 x 1,5	60	60	75	459	599	17	9,2	60810.1000.01.2706.32	on request	60810.1000.03.2706.32	on request
50	53 x 1,5	70	70	85	485	647	17	11,2	60810.1000.01.0007.32	on request	60810.1000.03.0007.32	on request
65	70 x 2	80	80	105	559	757	24	19,9	60810.1000.01.2908.32	on request	60810.1000.03.2908.32	on request
80	85 x 2	90	90	120	591	820	24	25,4	60810.1000.01.0009.32	on request	60810.1000.03.0009.32	on request
100	104 x 2	100	100	140	631	898	24	31,4	60810.1000.01.2910.32	on request	60810.1000.03.2910.32	on request

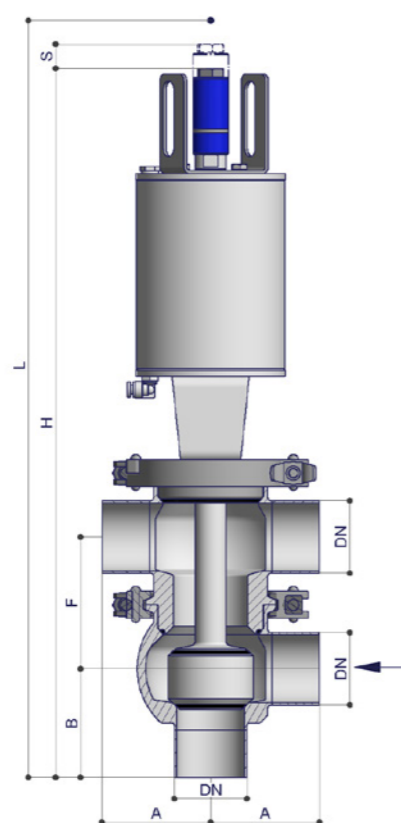
DN Inch	Dimension	EPDM						FKM				
		A	B	F	H	L	Stroke(S)	kg	Reference Number	Price	Reference Number	Price
1"	25,4 x 1,65	50,8	50,8	56,6	356	470	8	4,9	60810.1000.01.0024.32	on request	60810.1000.03.0024.32	on request
1 1/2"	38,1 x 1,65	57,2	57,2	80,0	459	599	17	9,2	60810.1000.01.2726.32	on request	60810.1000.03.2726.32	on request
2"	50,8 x 1,65	76,2	76,2	92,5	485	647	17	11,2	60810.1000.01.0027.32	on request	60810.1000.03.0027.32	on request
2 1/2"	63,5 x 1,65	76,2	76,2	120,0	559	757	24	19,9	60810.1000.01.2928.32	on request	60810.1000.03.2928.32	on request
3"	76,2 x 1,65	82,6	82,6	128,0	591	820	24	25,4	60810.1000.01.0029.32	on request	60810.1000.03.0029.32	on request
4"	101,6 x 2,11	98,3	98,3	150,9	631	898	24	31,4	60810.1000.01.2930.32	on request	60810.1000.03.2930.32	on request

Valve item number of drive version for	Reference Number	Price
spring opening-air closing NO	60820...	same price
air opening-air closing	60830...	same price

An overview of the actuator sizes used as well as the article numbers for ordering spare actuators can be found at the end of this chapter.

LCV Change-Over Valve Type TL

pneumatic – air to open-spring to close NC – 4 ports – two-piece-body



Closing pressure of 6 bar is only ensured with flow direction into middle port with control air pressure of at least 6 bar (max. 10 bar) – see arrow. Please review also the holding pressure chart (available separate).

i

DN DIN	Dimension	EPDM						FKM					
		A	B	F	H	L	Stroke(S)	kg	Reference Number	Price	Reference Number	Price	
25	29 x 1,5	50	50	60	356	470	8	4,9	60810.1040.01.0004.32	on request	60810.1040.03.0004.32	on request	
40	41 x 1,5	60	60	75	459	599	17	9,2	60810.1040.01.2706.32	on request	60810.1040.03.2706.32	on request	
50	53 x 1,5	70	70	85	485	647	17	11,2	60810.1040.01.0007.32	on request	60810.1040.03.0007.32	on request	
65	70 x 2	80	80	105	559	757	24	19,9	60810.1040.01.2908.32	on request	60810.1040.03.2908.32	on request	
80	85 x 2	90	90	120	591	820	24	25,4	60810.1040.01.0009.32	on request	60810.1040.03.0009.32	on request	
100	104 x 2	100	100	140	631	898	24	31,4	60810.1040.01.2910.32	on request	60810.1040.03.2910.32	on request	

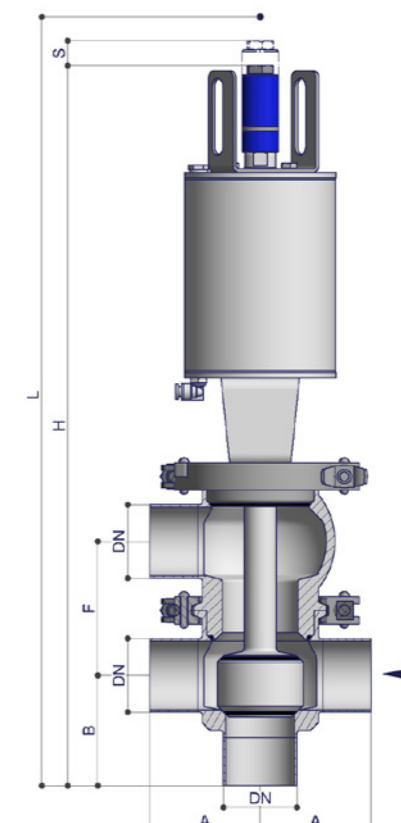
DN Inch	Dimension	EPDM						FKM					
		A	B	F	H	L	Stroke(S)	kg	Reference Number	Price	Reference Number	Price	
1"	25,4 x 1,65	50,8	50,8	56,6	356	470	8	4,9	60810.1040.01.0024.32	on request	60810.1040.03.0024.32	on request	
1 1/2"	38,1 x 1,65	57,2	57,2	80,0	459	599	17	9,2	60810.1040.01.2726.32	on request	60810.1040.03.2726.32	on request	
2"	50,8 x 1,65	76,2	76,2	92,5	485	647	17	11,2	60810.1040.01.0027.32	on request	60810.1040.03.0027.32	on request	
2 1/2"	63,5 x 1,65	76,2	76,2	120,0	559	757	24	19,9	60810.1040.01.2928.32	on request	60810.1040.03.2928.32	on request	
3"	76,2 x 1,65	82,6	82,6	128,0	591	820	24	25,4	60810.1040.01.0029.32	on request	60810.1040.03.0029.32	on request	
4"	101,6 x 2,11	98,3	98,3	150,9	631	898	24	31,4	60810.1040.01.2930.32	on request	60810.1040.03.2930.32	on request	

Valve item number of drive version for	Reference Number	Price
spring opening-air closing NO	60820...	same price
air opening-air closing	60830...	same price

An overview of the actuator sizes used as well as the article numbers for ordering spare actuators can be found at the end of this chapter.

LCV Change-Over Valve Type LT

pneumatic – air to open-spring to close NC – 4 ports – two-piece-body



Closing pressure of 6 bar is only ensured with flow direction into middle port with control air pressure of at least 6 bar (max. 10 bar) – see arrow. Please review also the holding pressure chart (available separate).

i

DN DIN	Dimension	EPDM						FKM					
		A	B	F	H	L	Stroke(S)	kg	Reference Number	Price	Reference Number	Price	
25	29 x 1,5	50	50	60	356	470	8	4,9	60810.1060.01.0004.32	on request	60810.1060.03.0004.32	on request	
40	41 x 1,5	60	60	75	459	599	17	9,2	60810.1060.01.2706.32	on request	60810.1060.03.2706.32	on request	
50	53 x 1,5	70	70	85	485	647	17	11,2	60810.1060.01.0007.32	on request	60810.1060.03.0007.32	on request	
65	70 x 2	80	80	105	559	757	24	19,9	60810.1060.01.2908.32	on request	60810.1060.03.2908.32	on request	
80	85 x 2	90	90	120	591	820	24	25,4	60810.1060.01.0009.32	on request	60810.1060.03.0009.32	on request	
100	104 x 2	100	100	140	631	898	24	31,4	60810.1060.01.2910.32	on request	60810.1060.03.2910.32	on request	

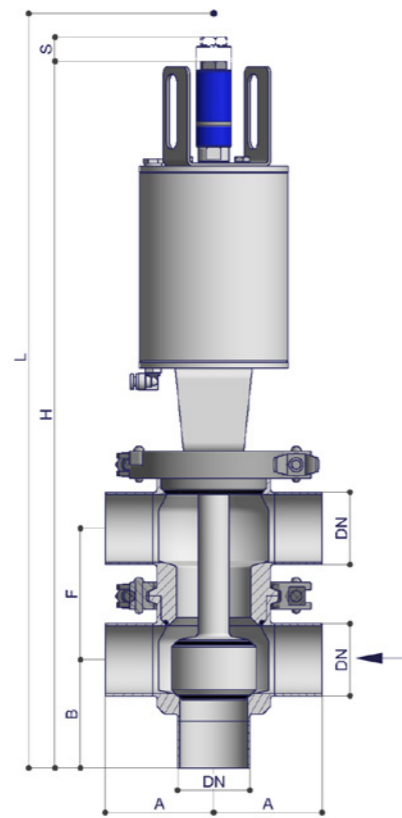
DN Inch	Dimension	EPDM						FKM					
		A	B	F	H	L	Stroke(S)	kg	Reference Number	Price	Reference Number	Price	
1"	25,4 x 1,65	50,8	50,8	56,6	356	470	8	4,9	60810.1060.01.0024.32	on request	60810.1060.03.0024.32	on request	
1 1/2"	38,1 x 1,65	57,2	57,2	80,0	459	599	17	9,2	60810.1060.01.2726.32	on request	60810.1060.03.2726.32	on request	
2"	50,8 x 1,65	76,2	76,2	92,5	485	647	17	11,2	60810.1060.01.0027.32	on request	60810.1060.03.0027.32	on request	
2 1/2"	63,5 x 1,65	76,2	76,2	120,0	559	757	24	19,9	60810.1060.01.2298.32	on request	60810.1060.03.2928.32	on request	
3"	76,2 x 1,65	82,6	82,6	128,0	591	820	24	25,4	60810.1060.01.0029.32	on request	60810.1060.03.0029.32	on request	
4"	101,6 x 2,11	98,3	98,3	150,9	631	898	24	31,4	60810.1060.01.2930.32	on request	60810.1060.03.2930.32	on request	

Valve item number of drive version for	Reference Number	Price
spring opening-air closing NO	60820...	same price
air opening-air closing	60830...	same price

An overview of the actuator sizes used as well as the article numbers for ordering spare actuators can be found at the end of this chapter.

LCV Change-Over Valve Type TT

pneumatic – air to open-spring to close NC – 5 ports – two-piece-body



Closing pressure of 6 bar is only ensured with flow direction into middle port with control air pressure of at least 6 bar (max. 10 bar) – see arrow. Please review also the holding pressure chart (available separate).

i

DN DIN	Dimension	EPDM					FKM					
		A	B	F	H	L	Stroke(S)	kg	Reference Number	Price	Reference Number	Price
25	29 x 1,5	50	50	60	356	470	8	4,9	60810.1080.01.0004.32	on request	60810.1080.03.0004.32	on request
40	41 x 1,5	60	60	75	459	599	17	9,2	60810.1080.01.2706.32	on request	60810.1080.03.2706.32	on request
50	53 x 1,5	70	70	85	485	647	17	11,2	60810.1080.01.0007.32	on request	60810.1080.03.0007.32	on request
65	70 x 2	80	80	105	559	757	24	19,9	60810.1080.01.2908.32	on request	60810.1080.03.2908.32	on request
80	85 x 2	90	90	120	591	820	24	25,4	60810.1080.01.0009.32	on request	60810.1080.03.0009.32	on request
100	104 x 2	100	100	140	631	898	24	31,4	60810.1080.01.2910.32	on request	60810.1080.03.2910.32	on request

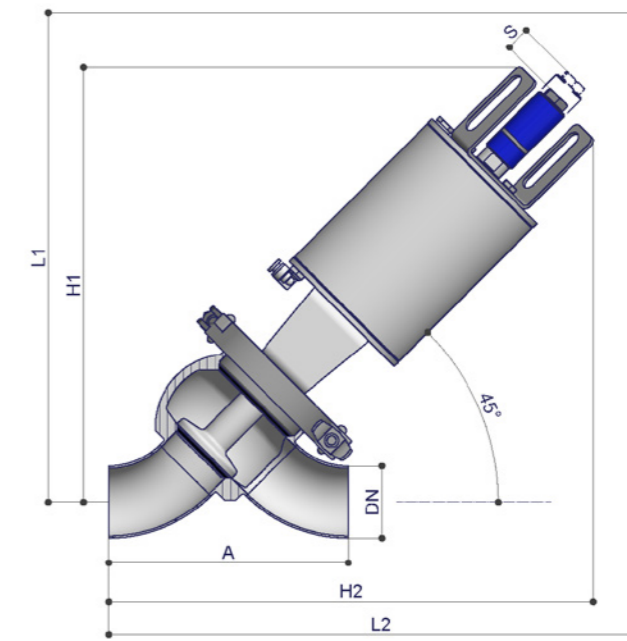
DN Inch	Dimension	EPDM					FKM					
		A	B	F	H	L	Stroke(S)	kg	Reference Number	Price	Reference Number	Price
1"	25,4 x 1,65	50,8	50,8	56,6	356	470	8	4,9	60810.1080.01.0024.32	on request	60810.1080.03.0024.32	on request
1 1/2"	38,1 x 1,65	57,2	57,2	80,0	459	599	17	9,2	60810.1080.01.2726.32	on request	60810.1080.03.2726.32	on request
2"	50,8 x 1,65	76,2	76,2	92,5	485	647	17	11,2	60810.1080.01.0027.32	on request	60810.1080.03.0027.32	on request
2 1/2"	63,5 x 1,65	76,2	76,2	120,0	559	757	24	19,9	60810.1080.01.2928.32	on request	60810.1080.03.2928.32	on request
3"	76,2 x 1,65	82,6	82,6	128,0	591	820	24	25,4	60810.1080.01.0029.32	on request	60810.1080.03.0029.32	on request
4"	101,6 x 2,11	98,3	98,3	150,9	631	898	24	31,4	60810.1080.01.2930.32	on request	60810.1080.03.2930.32	on request

Valve item number of drive version for	Reference Number	Price
spring opening-air closing NO	60820...	same price
air opening-air closing	60830...	same price

An overview of the actuator sizes used as well as the article numbers for ordering spare actuators can be found at the end of this chapter.

LCV Inclined Seat Valve

pneumatic – air to open-spring to close NC



DN DIN	Dimension	EPDM					FKM					
		A	H1	H2	L1	L2	Stroke(S)	kg	Reference Number	Price	Reference Number	Price
25	29 x 1,5	114	226	251	248	268	10,5	3,7	60510.1000.01.0004.32	on request	60510.1000.03.0004.32	on request
40	41 x 1,5	135	293	321	318	343	19,5	7,4	60510.1000.01.2706.32	on request	60510.1000.03.2706.32	on request
50	53 x 1,5	161	306	338	339	368	19,5	8,5	60510.1000.01.0007.32	on request	60510.1000.03.0007.32	on request
65	70 x 2	185,5	345	382	390	423	26,5	15,5	60510.1000.01.2908.32	on request	60510.1000.03.2908.32	on request
80	85 x 2	215	361	402	416	454	26,5	18,4	60510.1000.01.0009.32	on request	60510.1000.03.0009.32	on request
100	104 x 2	236,5	375	419	443	485	26,5	20,5	60510.1000.01.2910.32	on request	60510.1000.03.2910.32	on request

DN Inch	Dimension	EPDM					FKM					
		A	H1	H2	L1	L2	Stroke(S)	kg	Reference Number	Price	Reference Number	Price
1"	25,4 x 1,65	96,0	226	251	248	268	10,5	3,7	60510.1000.01.0024.32	on request	60510.1000.03.0024.32	on request
1 1/2"	38,1 x 1,65	142,2	293	321	318	343	19,5	7,4	60510.1000.01.2726.32	on request	60510.1000.03.2726.32	on request
2"	50,8 x 1,65	168,7	306	338	339	368	19,5	8,5	60510.1000.01.0027.32	on request	60510.1000.03.0027.32	on request
2 1/2"	63,5 x 1,65	211,6	345	382	390	423	26,5	15,5	60510.1000.01.2928.32	on request	60510.1000.03.2928.32	on request
3"	76,2 x 1,65	244,6	361	402	416	454	26,5	18,4	60510.1000.01.0029.32	on request	60510.1000.03.0029.32	on request
4"	101,6 x 2,11	303,0	375	419	443	485	26,5	20,5	60510.1000.01.2930.32	on request	60510.1000.03.2930.32	on request

Valve item number of drive version for	Reference Number	Price
spring opening-air closing NO	60520...	same price
air opening-air closing	60530...	same price

An overview of the actuator sizes used as well as the article numbers for ordering spare actuators can be found at the end of this chapter.

Gasket Kits for LCV Right Angle and Inclined Seat Valves

Product side

DN DIN	EPDM		FKM	
	Reference Number	Price	Reference Number	Price
25	5020104	on request	5020304	on request
40	5020106	on request	5020306	on request
50	5020107	on request	5020307	on request
65	5020108	on request	5020308	on request
80	5020109	on request	5020309	on request
100	5020110	on request	5020310	on request

DN Inch	EPDM		FKM	
	Reference Number	Price	Reference Number	Price
1"	5020124	on request	5020324	on request
1 ½"	5020126	on request	5020326	on request
2"	5020127	on request	5020327	on request
2 ½"	5020128	on request	5020328	on request
3"	5020129	on request	5020329	on request
4"	5020130	on request	5020330	on request

/ other sealing materials on request

Gasket Kits for LCV Change-Over Valves

Product side

DN DIN	EPDM		FKM	
	Reference Number	Price	Reference Number	Price
25	5024104	on request	5024304	on request
40	5024106	on request	5024306	on request
50	5024107	on request	5024307	on request
65	5024108	on request	5024308	on request
80	5024109	on request	5024309	on request
100	5024110	on request	5024310	on request

DN Inch	EPDM		FKM	
	Reference Number	Price	Reference Number	Price
1"	5024124	on request	5024324	on request
1 ½"	5024126	on request	5024326	on request
2"	5024127	on request	5024327	on request
2 ½"	5024128	on request	5024328	on request
3"	5024129	on request	5024329	on request
4"	5024130	on request	5024330	on request

/ other sealing materials on request

Spare Actuators for LCV Valves

LCV Right Angle-, Double Right Angle-, Change Over- and Inclined Seat Valves

for DN DIN / Inch	Description	Spring/Air Actuator	Air/Air Actuator	Price
		Reference Number	Reference Number	
25 / 1"	Actuator 1	60010.0024.11.00	60030.0024.11.00	on request
40 – 50 / 1,5" – 2"	Actuator 2	60010.0027.11.00	60030.0027.11.00	on request
65 – 100 / 2,5" – 4"	Actuator 3	60010.0029.11.00	60030.0029.11.00	on request