

CHAPTER 1 ASEPTIC VALVES

Page 1.4 Aseptic Right Angle Valves

Page 1.8 Aseptic Double Right Angle Valves

Page 1.12 Aseptic Cross Valves

Page 1.14 Aseptic Change Over Valves

Page 1.22 Aseptic Bottom Seat Valves

Page 1.31 Aseptic Inclined Seat Valves

Page 1.35 Aseptic Straight-Way Valves, piggable

Page 1.38 Aseptic Regulating Valves











Page 1.42 Aseptic Mix Proof Valves N7

Page 1.48 Aseptic Mix Proof Valves N13

Page 1.49 Gasket Kits

OUR ASEPTIC VALVES CAN BE EITHER EQUIPPED WITH A PTFE OR A METAL BELLOW. This is why they meet the demands on aseptic applications and can be used for UltraClean applications as well. We do not offer a separate UltraClean Valve line as our bellow technology convinces with its design and cost benefits. The complexity of our valves has been reduced to a degree to keep up the aseptic process safety and to enable a faster and therefore more cost effective maintenance.

KEEP IT
SIMPLE
& SAFE

	 PTFE Bellow	 Metal Bellow	 Diaphragm
 Temperature Resistance	4 – 121° C (39 – 250° F); 135° C (275° F) short time (max. 20 min)	temperature range from -12 to 150° C (11 to 302° F) possible	high temperature resistance**
 Media Resistance	flexible use for nearly every medium	gasket materials for various applications available	flexible use
 Life Time	< 5.000.000 stroke cycles*	< 200.000 stroke cycles*	< 200.000 stroke cycles
 Cleanability	folds stay open during cleaning	good cleanability; types with different sizes of folds available	good cleanability, however, (threaded) connection in product space
 Maximum Damage	only deformation of the bellow is possible	bellow can crack	diaphragm can crack
 Aseptic Process Reliability	one-piece sealing in contact with product; hermetic separation between process and environment	hermetic separation between process and environment	connection point at stem in product space only recommended for Ultraclean
 Costs	Spare Parts Maintenance € €	Spare Parts Maintenance € €	Spare Parts Maintenance € € €

*exchange of gaskets is recommended at least once per year.
**please consider technical documents of manufacturers



3-A versions available.
Scan QR code to review certificates.

The valve body of the RIEGER aseptic valves is hermetically sealed from the environment, thus ensuring the perfect protection for your liquid product. The pocket-free design of the valve body and the optimum surface make it an indispensable part of sterile process engineering in food technology and pharmaceuticals.

Thanks to the modular design the reconstruction of aseptic into hygienic version, of "air to open" on "air to closed", of liquid on fibrous and particulate media is no problem. The dimensions can be adapted to local conditions.

Even under special conditions such as high sterilization temperatures RIEGER Aseptic valves meet all requirements regarding reliability and reliable operation.

CONSTRUCTION OF THE VALVE

- / massive valve housing
- / no dead spaces
- / completely draining
- / many possible installation orientations

SERVICEABILITY

- / seal replacement without special tools
- / low downtime
- / screwed bellows
- / perfectly cleanable

EFFICIENCY

- / long lifetime of PTFE bellows
- / standard seals
- / minimal maintenance costs

ABSOLUTE PRODUCT SAFETY

- / perfect isolation from the environment
- / no sump, no dome

ADDITIONAL CERTIFICATES

- / in 3-A-design possible

MATERIAL

- / in contact with product 1.4404/AISI 316L
- / optional 1.4435/AISI 316L
- / not in contact with product 1.4301/AISI 304
- / all Valves are available in special alloys, such as Hastelloy® C-22, 1.4539/904L, 1.4529, AL-6XN® and others.

GASKETS

- / PTFE bellows PTFE TFM 1705
- / metal bellows 1.4571/1.4404
- / O-rings/gaskets EPDM or FKM (other materials on request)

TEMPERATURES

- / maximum continuous operation 130 °C* (EPDM) 121 °C* (PTFE)
- / steam sterilization 150 °C* (EPDM) 135 °C* short-time approx. 20 min (PTFE)

PRESSURE

- / closing pressure 6 bar standard, 10 bar and higher pressures available upon request
- / air pressure min. 6 bar / max. 10 bar

SURFACES

- / in contact with product Ra ≤ 0,8 µm (32 µin) mechanically polished
- / not in contact with product Ra ≤ 1,6 µm (63 µin) mechanically polished
- / higher quality surface finishes and e-polishing available upon request

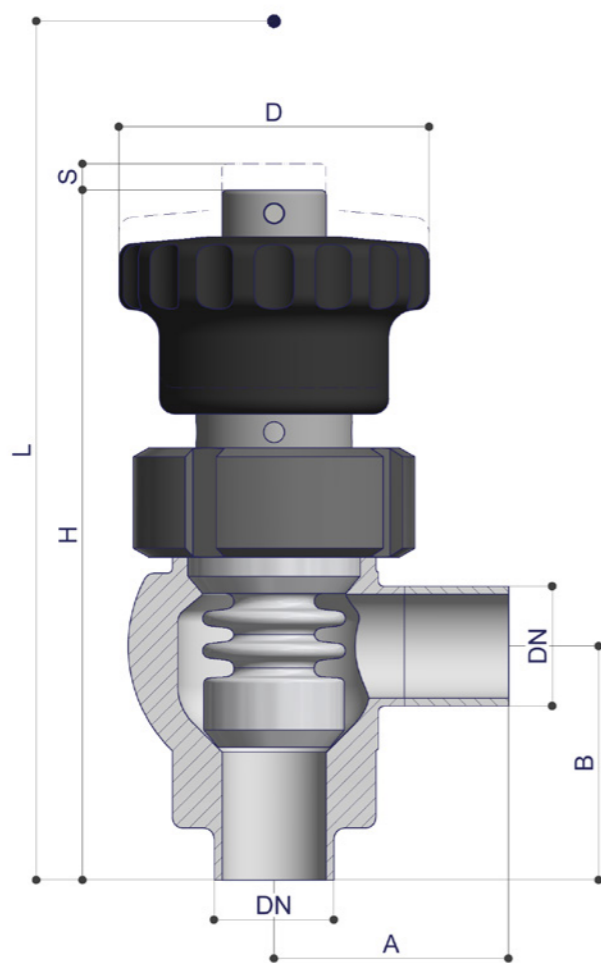
**CONNECTIONS
STANDARD-
PIPE CLASSES**

- / DIN 11850-R2 (DIN 11866-A)
- / O.D.-Tube (DIN 11866-C)
- / DIN EN ISO 1127 (DIN 11866-B)

* dependent upon operating conditions

Aseptic Right Angle Valve Type L

manual with plastic hand wheel



PTFE bellows

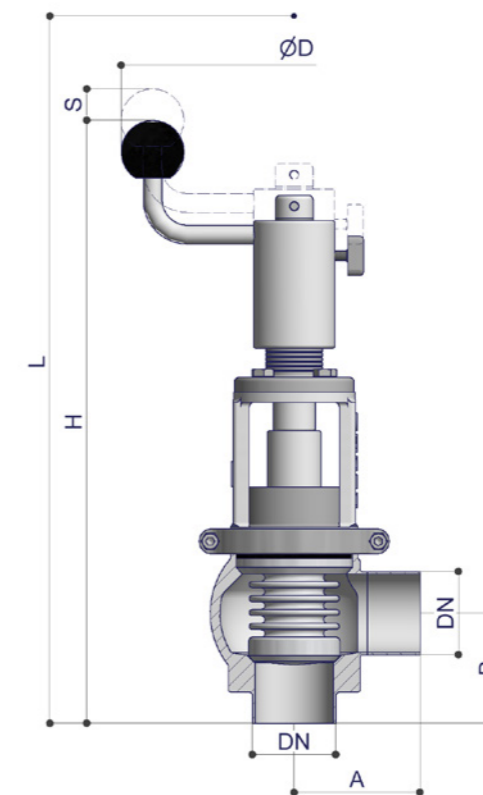
DN DIN	Dimension	A	B	ØD	H	L	Stroke(S)	kg	Reference Number	Price
10	13 x 1,5	35	35	60	120	170	5	1,4	40004.2000.05.0001.32	on request
15	19 x 1,5	40	40	60	130	175	5	1,4	40004.2000.05.0002.32	on request
20	23 x 1,5	45	45	60	140	187	5	1,4	40004.2000.05.0003.32	on request

PTFE bellows

DN Inch	Dimension	A	B	ØD	H	L	Stroke(S)	kg	Reference Number	Price
½"	12,7 x 1,65	35	35	60	120	168	5	1,4	40004.2000.05.0022.32	on request
¾"	19,05 x 1,65	35	32	60	120	168	5	1,4	40004.2000.05.0023.32	on request

Aseptic Right Angle Valve Type L

manual with crank handle



PTFE bellows

metal bellows with EPDM-O-rings

DN DIN	Dimension	A	B	ØD	H	L	Stroke(S)	kg	Reference Number	Price	Reference Number	Price
25	29 x 1,5	50	50	171	288	345	7	3,1	40040.2000.05.0004.32	on request	40040.3000.01.0004.32	on request
40	41 x 1,5	60	60	171	302	368	9	4,5	40040.2000.05.0006.32	on request	40040.3000.01.0006.32	on request
50	53 x 1,5	80	70	220	383	462	12	7,5	40040.2000.05.0007.32	on request	40040.3000.01.0007.32	on request
65	70 x 2	100	80	220	397	491	16	9,8	40040.2000.05.0008.32	on request	40040.3000.01.0008.32	on request
80	85 x 2	125	90	220	423	537	18	11,7	40040.2000.05.0009.32	on request	40040.3000.01.0009.32	on request
100	104 x 2	150	100	220	438	570	23	15	40040.2000.05.0010.32	on request	40040.3000.01.0010.32	on request

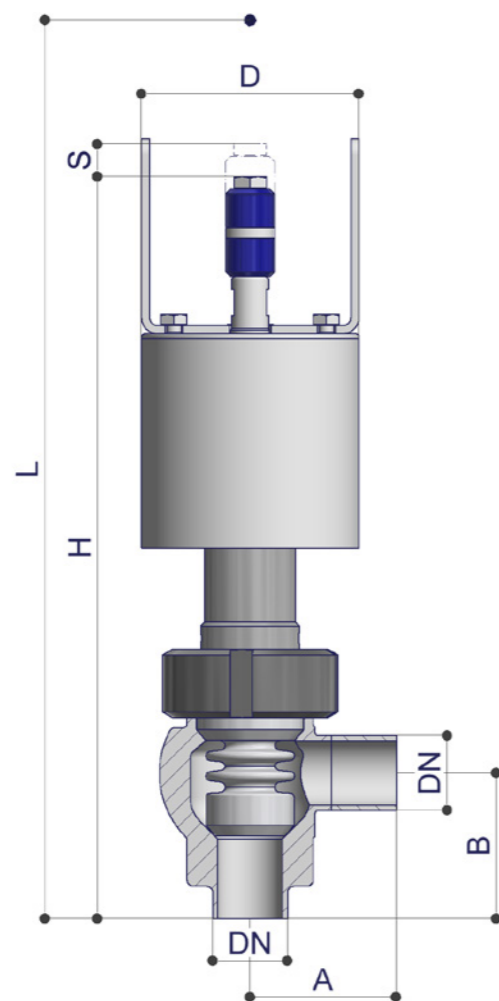
PTFE bellows

metal bellows with EPDM-O-rings

DN Inch	Dimension	A	B	ØD	H	L	Stroke(S)	kg	Reference Number	Price	Reference Number	Price
1"	25,4 x 1,65	50	50	171	287	342	7	3,1	40040.2000.05.6024.32	on request	40040.3000.01.6024.32	on request
1 ½"	38,1 x 1,65	80	55	171	300	356	9	4	40040.2000.05.6026.32	on request	40040.3000.01.6026.32	on request
2"	50,8 x 1,65	80	65	220	377	455	12	7,5	40040.2000.05.6027.32	on request	40040.3000.01.6027.32	on request
2 ½"	63,5 x 1,65	100	70	220	385	475	16	9,8	40040.2000.05.6028.32	on request	40040.3000.01.6028.32	on request
3"	76,2 x 1,65	120	80	220	411	516	14	11	40040.2000.05.6029.32	on request	40040.3000.01.6029.32	on request
4"	101,6 x 2,11	150	90	220	429	558	20	15	40040.2000.05.6030.32	on request	40040.3000.01.6030.32	on request

Aseptic Right Angle Valve Type L

pneumatic – air to open-spring to close NC



PTFE bellows

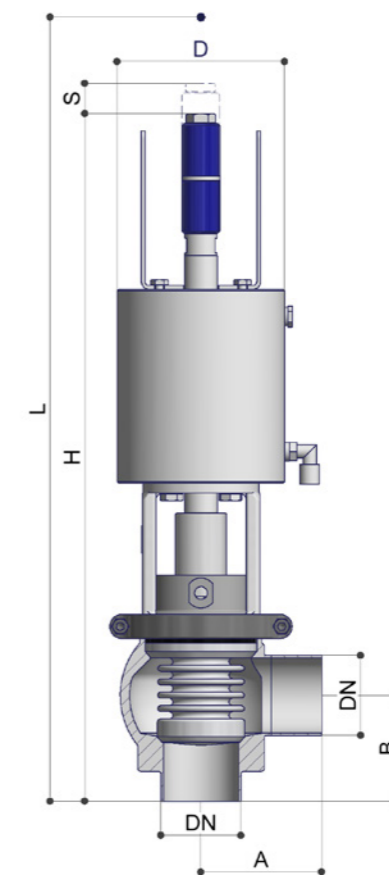
DN DIN	Dimension	A	B	ØD	H	L	Stroke(S)	kg	Reference Number	Price
10	13 x 1,5	35	35	67	220	266	5	2,5	40001.2000.05.0001.32	on request
15	19 x 1,5	40	40	67	227	274	5	2,5	40001.2000.05.0002.32	on request
20	23 x 1,5	45	45	67	233	287	5	2,5	40001.2000.05.0003.32	on request

PTFE bellows

DN Inch	Dimension	A	B	ØD	H	L	Stroke(S)	kg	Reference Number	Price
½"	12,7 x 1,65	35	35	67	222	268	5	2,5	40004.2000.05.0022.32	on request
¾"	19,05 x 1,65	35	32	67	222	268	5	2,5	40004.2000.05.0023.32	on request

Aseptic Right Angle Valve Type L

pneumatic – air to open-spring to close NC



PTFE bellows

metal bellows with EPDM-O-rings

DN DIN	Dimension	A	B	ØD	H	L	Stroke(S)	kg	Reference Number	Price	Reference Number	Price
25	29 x 1,5	50	50	88	363	420	7	5,5	40010.2000.05.0004.32	on request	40010.3000.01.0004.32	on request
40	41 x 1,5	60	60	88	378	445	9	6,2	40010.2000.05.0006.32	on request	40010.3000.01.0006.32	on request
50	53 x 1,5	80	70	111	450	529	12	11,5	40010.2000.05.0007.32	on request	40010.3000.01.0007.32	on request
65	70 x 2	100	80	132	508	603	16	16	40010.2000.05.0008.32	on request	40010.3000.01.0008.32	on request
80	85 x 2	125	90	172	628	743	17	25	40010.2000.05.0009.32	on request	40010.3000.01.0009.32	on request
100	104 x 2	150	100	172	641	773	24	29	40010.2000.05.0010.32	on request	40010.3000.01.0010.32	on request

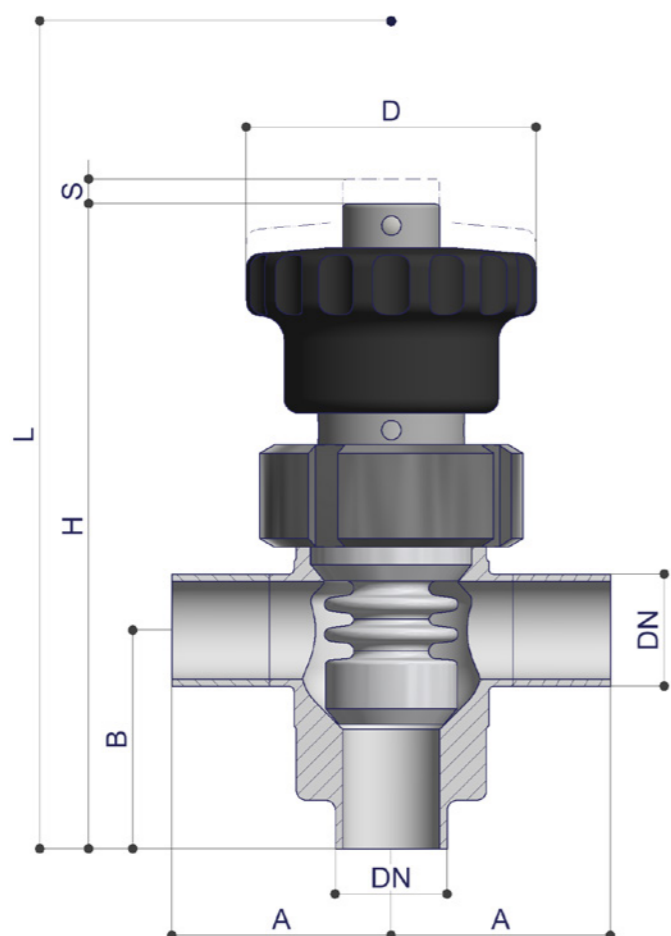
PTFE bellows

metal bellows with EPDM-O-rings

DN Inch	Dimension	A	B	ØD	H	L	Stroke(S)	kg	Reference Number	Price	Reference Number	Price
1"	25,4 x 1,65	50	50	88	362	417	6	5,1	40010.2000.05.6024.32	on request	40010.3000.01.6024.32	on request
1 ½"	38,1 x 1,65	80	55	88	370	432	9	6,2	40010.2000.05.6026.32	on request	40010.3000.01.6026.32	on request
2"	50,8 x 1,65	80	65	111	445	523	11	11,5	40010.2000.05.6027.32	on request	40010.3000.01.6027.32	on request
2 ½"	63,5 x 1,65	100	70	132	497	585	14	15,2	40010.2000.05.6028.32	on request	40010.3000.01.6028.32	on request
3"	76,2 x 1,65	120	80	172	618	722	15	25	40010.2000.05.6029.32	on request	40010.3000.01.6029.32	on request
4"	101,6 x 2,11	150	90	172	633	762	21	29	40010.2000.05.6030.32	on request	40010.3000.01.6030.32	on request

Aseptic Double Right Angle Valve Type T

manual with plastic hand wheel



PTFE bellows

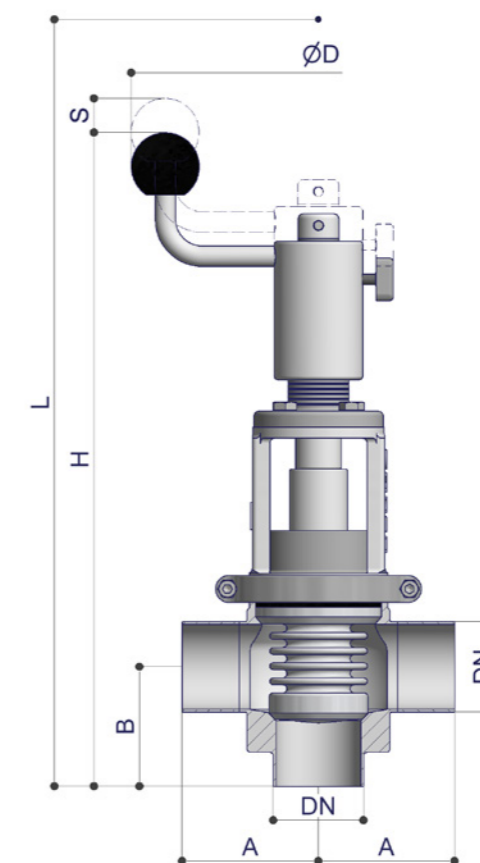
DN DIN	Dimension	A	B	ØD	H	L	Stroke(S)	kg	Reference Number	Price
10	13 x 1,5	35	35	60	120	170	5	1,4	40104.2000.05.0001.32	on request
15	19 x 1,5	40	40	60	130	175	5	1,4	40104.2000.05.0002.32	on request
20	23 x 1,5	45	45	60	140	187	5	1,4	40104.2000.05.0003.32	on request

PTFE bellows

DN Inch	Dimension	A	B	ØD	H	L	Stroke(S)	kg	Reference Number	Price
½"	12,7 x 1,65	35	35	60	120	168	5	1,4	40104.2000.05.0022.32	on request
¾"	19,05 x 1,65	35	32	60	120	168	5	1,4	40104.2000.05.0023.32	on request

Aseptic Double Right Angle Valve Type T

manual with crank handle



PTFE bellows

metal bellows with EPDM-O-rings

DN DIN	Dimension	A	B	ØD	H	L	Stroke(S)	kg	Reference Number	Price	Reference Number	Price
25	29 x 1,5	50	50	171	288	345	7	3,1	40140.2000.05.0004.32	on request	40140.3000.01.0004.32	on request
40	41 x 1,5	60	60	171	302	368	9	4,5	40140.2000.05.0006.32	on request	40140.3000.01.0006.32	on request
50	53 x 1,5	80	70	220	383	462	12	7,5	40140.2000.05.0007.32	on request	40140.3000.01.0007.32	on request
65	70 x 2	100	80	220	397	491	16	9,8	40140.2000.05.0008.32	on request	40140.3000.01.0008.32	on request
80	85 x 2	125	90	220	423	537	18	11,7	40140.2000.05.0009.32	on request	40140.3000.01.0009.32	on request
100	104 x 2	150	100	220	438	570	23	15	40140.2000.05.0010.32	on request	40140.3000.01.0010.32	on request

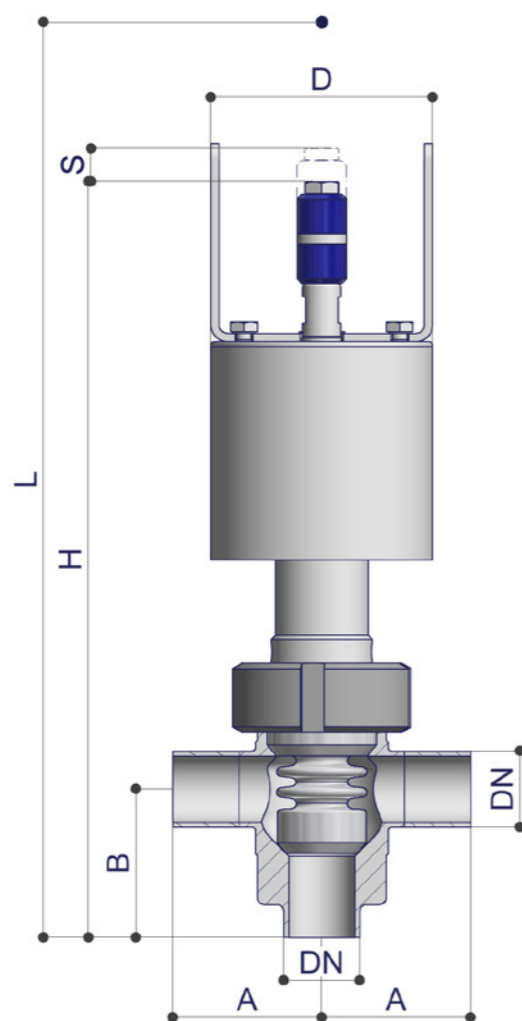
PTFE bellows

metal bellows with EPDM-O-rings

DN Inch	Dimension	A	B	ØD	H	L	Stroke(S)	kg	Reference Number	Price	Reference Number	Price
1"	25,4 x 1,65	50	50	171	287	342	7	3,1	40140.2000.05.6024.32	on request	40140.3000.01.6024.32	on request
1 ½"	38,1 x 1,65	80	55	171	300	356	9	4	40140.2000.05.6026.32	on request	40140.3000.01.6026.32	on request
2"	50,8 x 1,65	80	65	220	377	455	12	7,5	40140.2000.05.6027.32	on request	40140.3000.01.6027.32	on request
2 ½"	63,5 x 1,65	100	70	220	385	475	16	9,8	40140.2000.05.6028.32	on request	40140.3000.01.6028.32	on request
3"	76,2 x 1,65	120	80	220	411	516	14	11	40140.2000.05.6029.32	on request	40140.3000.01.6029.32	on request
4"	101,6 x 2,11	150	90	220	429	558	20	15	40140.2000.05.6030.32	on request	40140.3000.01.6030.32	on request

Aseptic Double Right Angle Valve Type T

pneumatic – air to open-spring to close NC



PTFE bellows

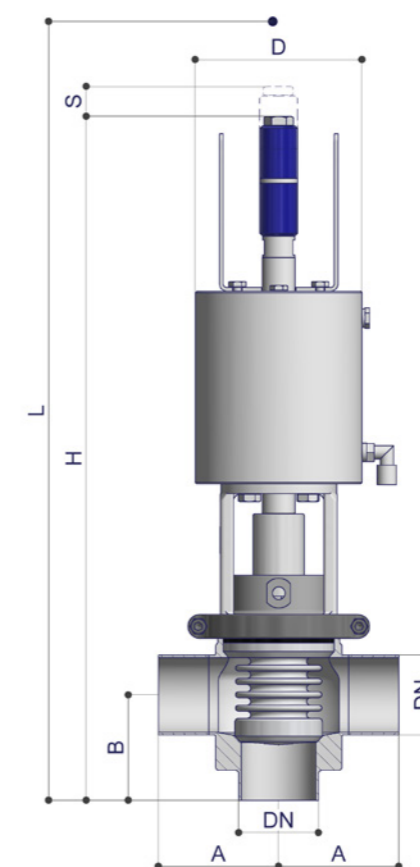
DN DIN	Dimension	A	B	ØD	H	L	Stroke(S)	kg	Reference Number	Price
10	13 x 1,5	35	35	67	220	266	5	2,5	40101.2000.05.0001.32	on request
15	19 x 1,5	40	40	67	227	274	5	2,5	40101.2000.05.0002.32	on request
20	23 x 1,5	45	45	67	233	287	5	2,5	40101.2000.05.0003.32	on request

PTFE bellows

DN Inch	Dimension	A	B	ØD	H	L	Stroke(S)	kg	Reference Number	Price
½"	12,7 x 1,65	35	35	67	222	268	5	2,5	40101.2000.05.0022.32	on request
¾"	19,05 x 1,65	35	32	67	222	268	5	2,5	40101.2000.05.0023.32	on request

Aseptic Double Right Angle Valve Type T

pneumatic – air to open-spring to close NC



PTFE bellows

metal bellows with EPDM-O-rings

DN DIN	Dimension	A	B	ØD	H	L	Stroke(S)	kg	Reference Number	Price	Reference Number	Price
25	29 x 1,5	50	50	88	363	420	7	5,5	40110.2000.05.0004.32	on request	40110.3000.01.0004.32	on request
40	41 x 1,5	60	60	88	378	445	9	6,2	40110.2000.05.0006.32	on request	40110.3000.01.0006.32	on request
50	53 x 1,5	80	70	111	450	529	12	11,5	40110.2000.05.0007.32	on request	40110.3000.01.0007.32	on request
65	70 x 2	100	80	132	508	603	16	16	40110.2000.05.0008.32	on request	40110.3000.01.0008.32	on request
80	85 x 2	125	90	172	628	743	17	25	40110.2000.05.0009.32	on request	40110.3000.01.0009.32	on request
100	104 x 2	150	100	172	641	773	24	29	40110.2000.05.0010.32	on request	40110.3000.01.0010.32	on request

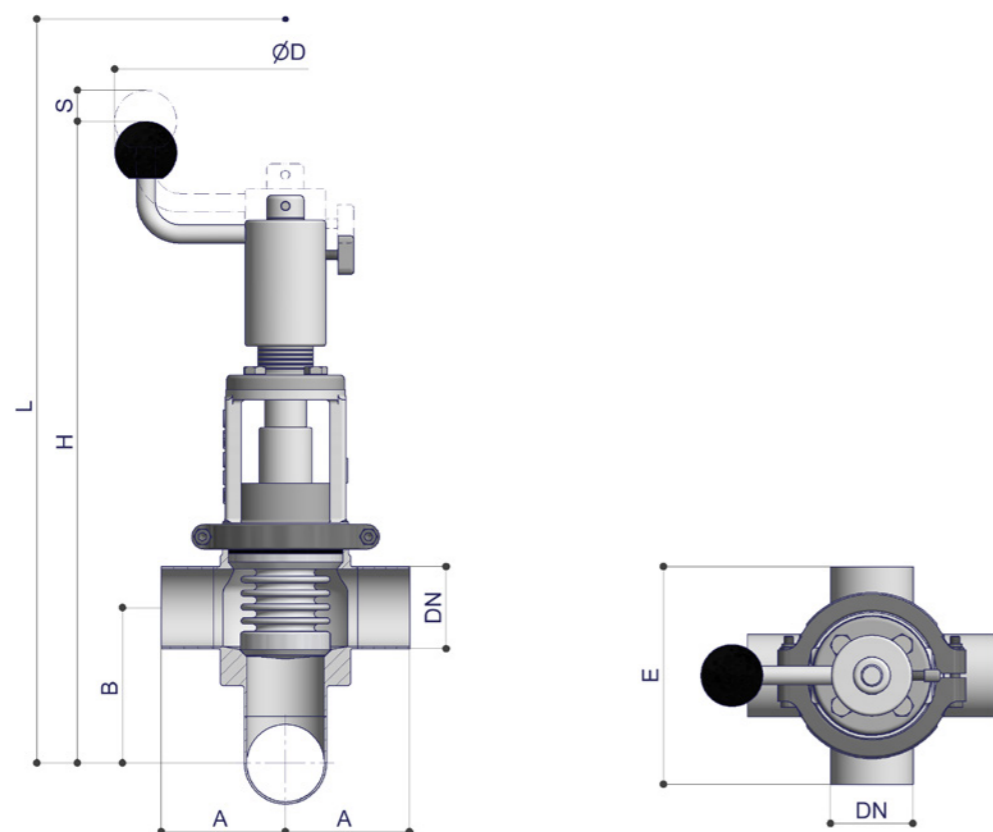
PTFE bellows

metal bellows with EPDM-O-rings

DN Inch	Dimension	A	B	ØD	H	L	Stroke(S)	kg	Reference Number	Price	Reference Number	Price
1"	25,4 x 1,65	50	50	88	362	417	6	5,1	40110.2000.05.6024.32	on request	40110.3000.01.6024.32	on request
1 ½"	38,1 x 1,65	80	55	88	370	432	9	6,2	40110.2000.05.6026.32	on request	40110.3000.01.6026.32	on request
2"	50,8 x 1,65	80	65	111	445	523	11	11,5	40110.2000.05.6027.32	on request	40110.3000.01.6027.32	on request
2 ½"	63,5 x 1,65	100	70	132	497	585	14	15,2	40110.2000.05.6028.32	on request	40110.3000.01.6028.32	on request
3"	76,2 x 1,65	120	80	172	618	722	15	25	40110.2000.05.6029.32	on request	40110.3000.01.6029.32	on request
4"	101,6 x 2,11	150	90	172	633	762	21	29	40110.2000.05.6030.32	on request	40110.3000.01.6030.32	on request

Aseptic Cross Valve Typ TT

manual with crank handle



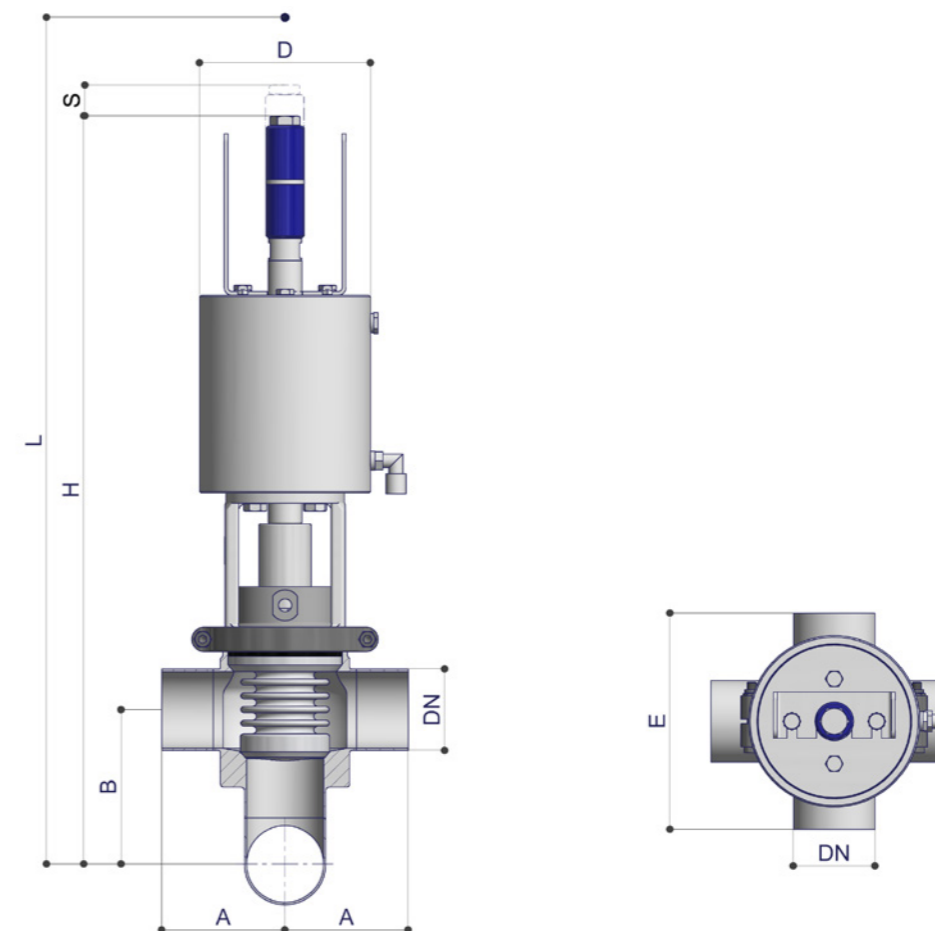
DN DIN	Dimension	PTFE bellows								metal bellows with EPDM-O-rings			
		A	B	ØD	E	H	L	Stroke[S]	kg	Reference Number	Price	Reference Number	Price
25	29 x 1,5	50	66	171	100	304	361	7	3,2	40340.2000.05.0004.32	on request	40340.3000.01.0004.32	on request
40	41 x 1,5	60	83	171	120	324	391	9	5,5	40340.2000.05.0006.32	on request	40340.2300.01.0006.32	on request
50	53 x 1,5	80	100	220	140	413	492	12	8	40340.2000.05.0007.32	on request	40340.3000.01.0007.32	on request
65	70 x 2	100	120	220	160	436	531	16	10	40340.2000.05.0008.32	on request	40340.3000.01.0008.32	on request
80	85 x 2	125	137	220	180	471	585	18	12	40340.2000.05.0009.32	on request	40340.3000.01.0009.32	on request
100	104 x 2	150	158	220	200	497	629	23	16	40340.2000.05.0010.32	on request	40340.3000.01.0010.32	on request

DN Inch	Dimension	PTFE bellows								metal bellows with EPDM-O-rings			
		A	B	ØD	E	H	L	Stroke[S]	kg	Reference Number	Price	Reference Number	Price
1"	25,4 x 1,65	50	64	171	108	302	359	7	3,2	40340.2000.05.6024.32	on request	40340.3000.01.6024.32	on request
1 ½"	38,1 x 1,65	80	75,6	171	120,6	316	377	9	5,5	40340.2000.05.6026.32	on request	40340.3000.01.6026.32	on request
2"	50,8 x 1,65	80	93,4	220	146	407	484	12	8	40340.2000.05.6027.32	on request	40340.3000.01.6027.32	on request
2 ½"	63,5 x 1,65	100	104,8	220	158,8	421	510	16	10	40340.2000.05.6028.32	on request	40340.3000.01.6028.32	on request
3"	76,2 x 1,65	120	122,6	220	171,4	455	559	14	11,2	40340.2000.05.6029.32	on request	40340.3000.01.6029.32	on request
4"	101,6 x 2,11	150	146,3	220	209,6	486	615	20	15,9	40340.2000.05.6030.32	on request	40340.3000.01.6030.32	on request

Smaller nominal pipe sizes on request

Aseptic Cross Valve Typ TT

pneumatic – air to open-spring to close NC



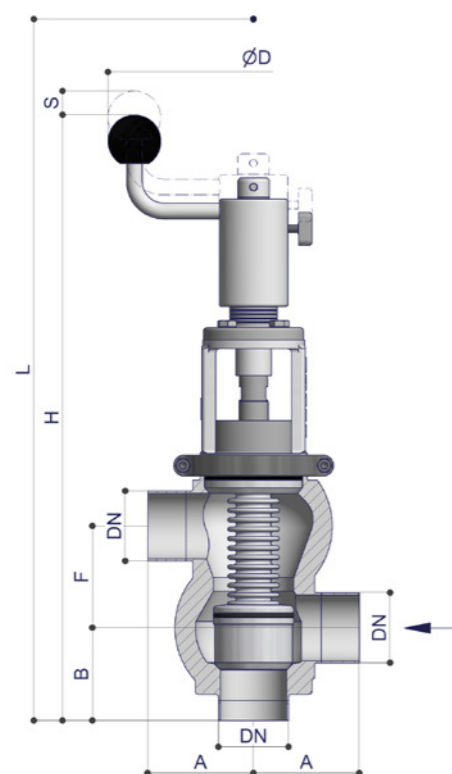
DN DIN	Dimension	PTFE bellows								metal bellows with EPDM-O-rings			
		A	B	ØD	E	H	L	Stroke[S]	kg	Reference Number	Price	Reference Number	Price
25	29 x 1,5	50	66	88	100	379	436	7	5,2	40310.2000.05.0004.32	on request	40310.3000.01.0004.32	on request
40	41 x 1,5	60	83	88	120	401	468	9	6,4	40310.2000.05.0006.32	on request	40310.3000.01.0006.32	on request
50	53 x 1,5	80	100	111	140	480	559	12	12	40310.2000.05.0007.32	on request	40310.3000.01.0007.32	on request
65	70 x 2	100	120	132	160	548	643	16	16,5	40310.2000.05.0008.32	on request	40310.3000.01.0008.32	on request
80	85 x 2	125	137	172	180	676	791	17	25,6	40310.2000.05.0009.32	on request	40310.3000.01.0009.32	on request
100	104 x 2	150	158	172	200	700	832	24	30,2	40310.2000.05.0010.32	on request	40310.3000.01.0010.32	on request

DN Inch	Dimension	PTFE bellows								metal bellows with EPDM-O-rings			
		A	B	ØD	E	H	L	Stroke[S]	kg	Reference Number	Price	Reference Number	Price
1"	25,4 x 1,65	50	64	88	108	376	431	6	5,2	40310.2000.05.6024.32	on request	40310.3000.01.6024.32	on request
1 ½"	38,1 x 1,65	80	75,6	88	120,6	392	453	9	6,4	40310.2000.05.6026.32	on request	40310.3000.01.6026.32	on request
2"	50,8 x 1,65	80	93,4	111	146	473	551	11	10,7	40310.2000.05.6027.32	on request	40310.3000.01.6027.32	on request
2 ½"	63,5 x 1,65	100	104,8	132	158,8	532	621	14	15,8	40310.2000.05.6028.32	on request	40310.3000.01.6028.32	on request
3"	76,2 x 1,65	120	122,6	172	171,4	660	764	15	25,6	40310.2000.05.6029.32	on request	40310.3000.01.6029.32	on request
4"	101,6 x 2,11	150	146,3	172	209,6	790	818	21	30,2	40310.2000.05.6030.32	on request	40310.3000.01.6030.32	on request

Smaller nominal pipe sizes on request

Aseptic Change Over Valve Type LL – one-piece valve body – 3 ports

manual with crank handle



i Closing pressure of 6 bar is only ensured with flow direction into middle port with control air pressure of at least 6 bar (max. 10 bar) – see arrow. Please review also the holding pressure chart (available separate).

PTFE bellows

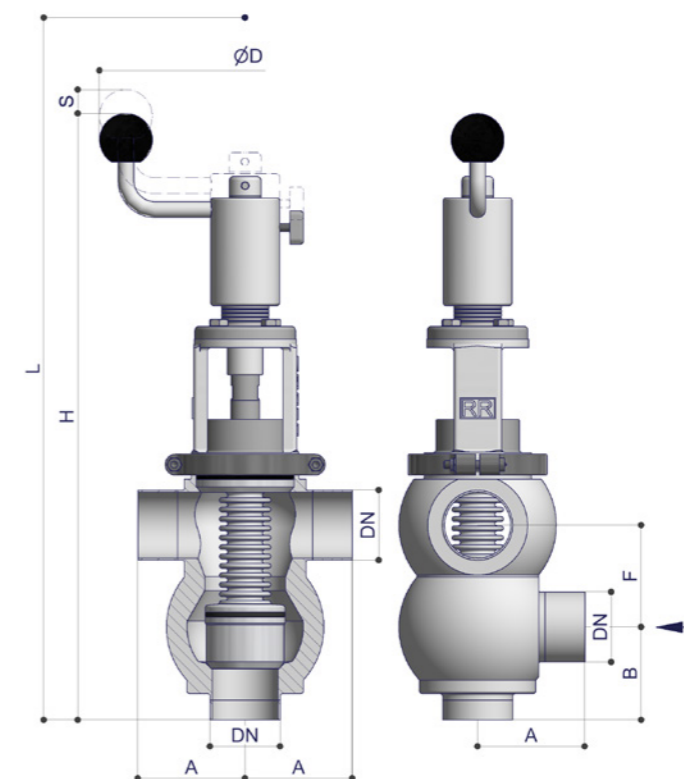
DN DIN	Dimension	A	B	ØD	F	H	L	Stroke(S)	kg	Reference Number	Price
25	29 x 1,5	50	50	171	55	332	443	18	4,2	40440.2000.05.0004.32	on request
40	41 x 1,5	60	60	171	65	357	488	22	5,5	40440.2000.05.0006.32	on request
50	53 x 1,5	80	70	220	77	450	604	22	12	40440.2000.05.0007.32	on request
65	70 x 2	100	80	220	95	479	670	25	12,7	40440.2000.05.0008.32	on request
80	85 x 2	125	90	220	110	516	733	33	18	40440.2000.05.0009.32	on request
100	104 x 2	150	100	220	129	556	815	35	24	40440.2000.05.0010.32	on request

PTFE bellows

DN Inch	Dimension	A	B	ØD	F	H	L	Stroke(S)	kg	Reference Number	Price
1"	25,4 x 1,65	50	52	171	50	338	445	18	4,2	40440.2000.05.6024.32	on request
1 ½"	38,1 x 1,65	80	55	171	63	349	476	19	6,3	40440.2000.05.6026.32	on request
2"	50,8 x 1,65	100	65	220	75,5	442	593	22	9,9	40440.2000.05.6027.32	on request
2 ½"	63,5 x 1,65	100	72	220	86	460	638	25	12,7	40440.2000.05.6028.32	on request
3"	76,2 x 1,65	125	80	220	101	491	693	33	17	40440.2000.05.6029.32	on request
4"	101,6 x 2,11	150	92,6	220	123,5	542	795	34	24	40440.2000.05.6030.32	on request

Aseptic Change Over Valve Type TL – one-piece valve body – 4 ports

manual with crank handle



i Closing pressure of 6 bar is only ensured with flow direction into middle port with control air pressure of at least 6 bar (max. 10 bar) – see arrow. Please review also the holding pressure chart (available separate).

PTFE bellows

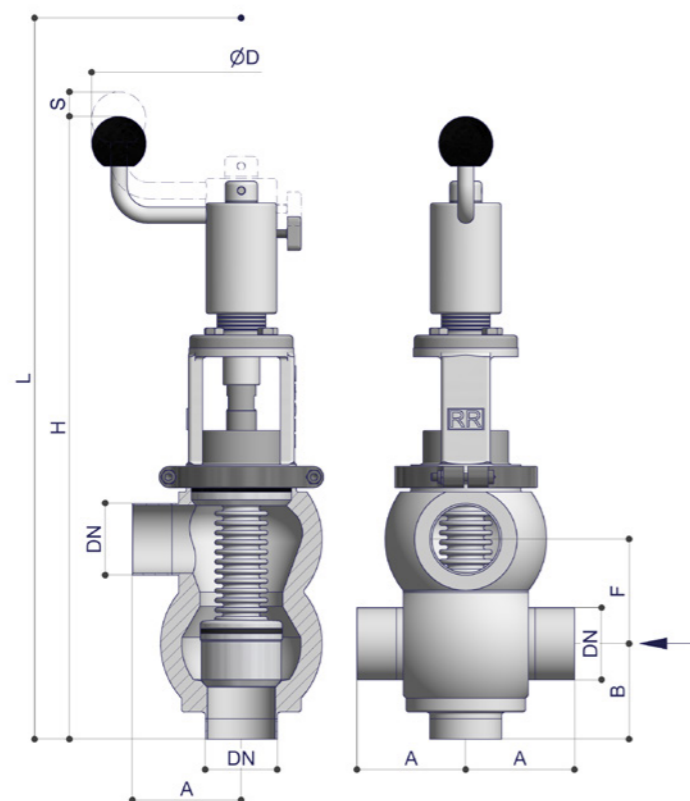
DN DIN	Dimension	A	B	ØD	F	H	L	Stroke(S)	kg	Reference Number	Price
25	29 x 1,5	50	50	171	55	332	443	18	4,2	40440.2040.05.0004.32	on request
40	41 x 1,5	60	60	171	65	357	488	22	5,5	40440.2040.05.0006.32	on request
50	53 x 1,5	80	70	220	77	450	604	22	12	40440.2040.05.0007.32	on request
65	70 x 2	100	80	220	95	479	670	25	12,7	40440.2040.05.0008.32	on request
80	85 x 2	125	90	220	110	516	733	33	18	40440.2040.05.0009.32	on request
100	104 x 2	150	100	220	129	556	815	35	24	40440.2040.05.0010.32	on request

PTFE bellows

DN Inch	Dimension	A	B	ØD	F	H	L	Stroke(S)	kg	Reference Number	Price
1"	25,4 x 1,65	50	52	171	50	338	445	18	4,2	40440.2040.05.6024.32	on request
1 ½"	38,1 x 1,65	80	55	171	63	349	476	19	6,3	40440.2040.05.6026.32	on request
2"	50,8 x 1,65	100	65	220	75,5	442	593	22	9,9	40440.2040.05.6027.32	on request
2 ½"	63,5 x 1,65	100	72	220	86	460	638	25	12,7	40440.2040.05.6028.32	on request
3"	76,2 x 1,65	125	80	220	101	491	693	33	17	40440.2040.05.6029.32	on request
4"	101,6 x 2,11	150	92,6	220	123,5	542	795	34	24	40440.2040.05.6030.32	on request

Aseptic Change Over Valve Type LT – one-piece valve body – 4 ports

manual with crank handle



Closing pressure of 6 bar is only ensured with flow direction into middle port with control air pressure of at least 6 bar (max. 10 bar) – see arrow. Please review also the holding pressure chart (available separate).



PTFE bellows

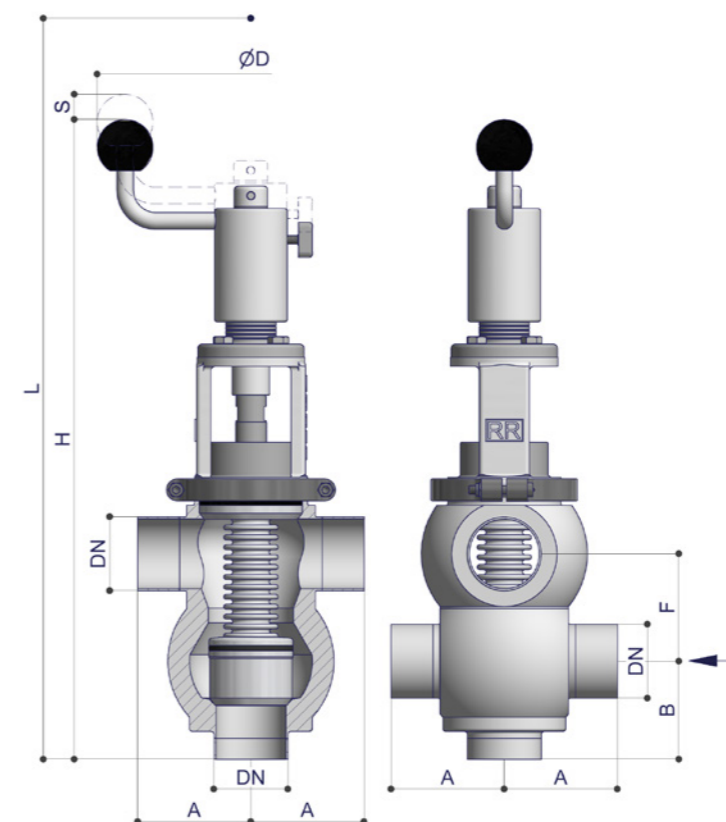
DN DIN	Dimension	A	B	ØD	F	H	L	Stroke(S)	kg	Reference Number	Price
25	29 x 1,5	50	50	171	55	332	443	18	4,2	40440.2060.05.0004.32	on request
40	41 x 1,5	60	60	171	65	357	488	22	5,5	40440.2060.05.0006.32	on request
50	53 x 1,5	80	70	220	77	450	604	22	12	40440.2060.05.0007.32	on request
65	70 x 2	100	80	220	95	479	670	25	12,7	40440.2060.05.0008.32	on request
80	85 x 2	125	90	220	110	516	733	33	18	40440.2060.05.0009.32	on request
100	104 x 2	150	100	220	129	556	815	35	24	40440.2060.05.0010.32	on request

PTFE bellows

DN Inch	Dimension	A	B	ØD	F	H	L	Stroke(S)	kg	Reference Number	Price
1"	25,4 x 1,65	50	52	171	50	338	445	18	4,2	40440.2060.05.6024.32	on request
1 ½"	38,1 x 1,65	80	55	171	63	349	476	19	6,3	40440.2060.05.6026.32	on request
2"	50,8 x 1,65	100	65	220	75,5	442	593	22	9,9	40440.2060.05.6027.32	on request
2 ½"	63,5 x 1,65	100	72	220	86	460	638	25	12,7	40440.2060.05.6028.32	on request
3"	76,2 x 1,65	125	80	220	101	491	693	33	17	40440.2060.05.6029.32	on request
4"	101,6 x 2,11	150	92,6	220	123,5	542	795	34	24	40440.2060.05.6030.32	on request

Aseptic Change Over Valve Type TT – one-piece valve body – 5 ports

manual with crank handle



Closing pressure of 6 bar is only ensured with flow direction into middle port with control air pressure of at least 6 bar (max. 10 bar) – see arrow. Please review also the holding pressure chart (available separate).



PTFE bellows

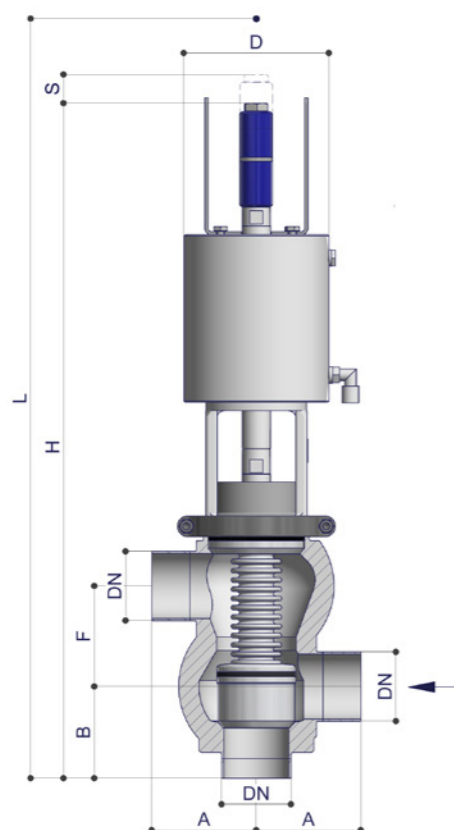
DN DIN	Dimension	A	B	ØD	F	H	L	Stroke(S)	kg	Reference Number	Price
25	29 x 1,5	50	50	171	55	332	443	18	4,2	40440.2080.05.0004.32	on request
40	41 x 1,5	60	60	171	65	357	488	22	5,5	40440.2080.05.0006.32	on request
50	53 x 1,5	80	70	220	77	450	604	22	12	40440.2080.05.0007.32	on request
65	70 x 2	100	80	220	95	479	670	25	12,7	40440.2080.05.0008.32	on request
80	85 x 2	125	90	220	110	516	733	33	18	40440.2080.05.0009.32	on request
100	104 x 2	150	100	220	129	556	815	35	24	40440.2080.05.0010.32	on request

PTFE bellows

DN Inch	Dimension	A	B	ØD	F	H	L	Stroke(S)	kg	Reference Number	Price
1"	25,4 x 1,65	50	52	171	50	338	445	18	4,2	40440.2080.05.6024.32	on request
1 ½"	38,1 x 1,65	80	55	171	63	349	476	19	6,3	40440.2080.05.6026.32	on request
2"	50,8 x 1,65	100	65	220	75,5	442	593	22	9,9	40440.2080.05.6027.32	on request
2 ½"	63,5 x 1,65	100	72	220	86	460	638	25	12,7	40440.2080.05.6028.32	on request
3"	76,2 x 1,65	125	80	220	101	491	693	33	17	40440.2080.05.6029.32	on request
4"	101,6 x 2,11	150	92,6	220	123,5	542	795	34	24	40440.2080.05.6030.32	on request

Aseptic Change Over Valve Type LL – one-piece valve body – 3 ports

pneumatic – air to open-spring to close NC



i Closing pressure of 6 bar is only ensured with flow direction into middle port with control air pressure of at least 6 bar (max. 10 bar) – see arrow. Please review also the holding pressure chart (available separate).

PTFE bellows

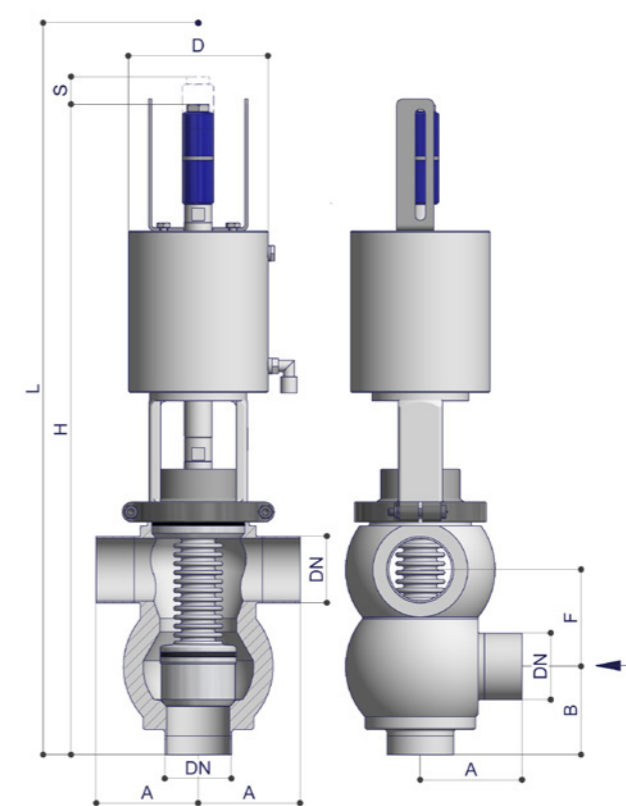
DN DIN	Dimension	A	B	ØD	F	H	L	Stroke(S)	kg	Reference Number	Price
25	29 x 1,5	50	50	88	55	410	517	15	6,2	40410.2000.05.0004.32	on request
40	41 x 1,5	60	60	88	65	433	561	18	7,2	40410.2000.05.0006.32	on request
50	53 x 1,5	80	70	111	77	518	672	22	15	40410.2000.05.0007.32	on request
65	70 x 2	100	80	133	95	594	781	25	19	40410.2000.05.0008.32	on request
80	85 x 2	125	90	172	110	721	938	33	30	40410.2000.05.0009.32	on request
100	104 x 2	150	100	172	129	758	1015	36	40	40410.2000.05.0010.32	on request

PTFE bellows

DN Inch	Dimension	A	B	ØD	F	H	L	Stroke(S)	kg	Reference Number	Price
1"	25,4 x 1,65	50	52	88	50	413	520	18	6,2	40410.2000.05.6024.32	on request
1 ½"	38,1 x 1,65	80	55	88	63	424	551	19	8	40410.2000.05.6026.32	on request
2"	50,8 x 1,65	100	65	111	75,5	509	660	22	14	40410.2000.05.6027.32	on request
2 ½"	63,5 x 1,65	100	72	132	86	574	752	25	17,4	40410.2000.05.6028.32	on request
3"	76,2 x 1,65	125	80	172	101	700	907	33	28	40410.2000.05.6029.32	on request
4"	101,6 x 2,11	150	92,6	172	123,5	745	998	35	38	40410.2000.05.6030.32	on request

Aseptic Change Over Valve Type TL – one-piece valve body – 4 ports

pneumatic – air to open-spring to close NC



i Closing pressure of 6 bar is only ensured with flow direction into middle port with control air pressure of at least 6 bar (max. 10 bar) – see arrow. Please review also the holding pressure chart (available separate).

PTFE bellows

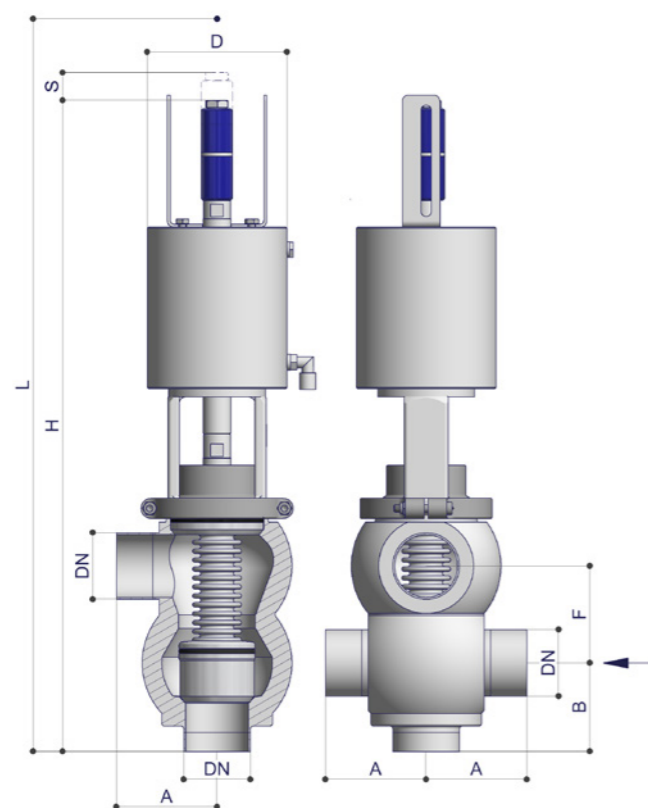
DN DIN	Dimension	A	B	ØD	F	H	L	Stroke(S)	kg	Reference Number	Price
25	29 x 1,5	50	50	88	55	410	517	15	6,2	40410.2040.05.0004.32	on request
40	41 x 1,5	60	60	88	65	433	561	18	7,2	40410.2040.05.0006.32	on request
50	53 x 1,5	80	70	111	77	518	672	22	15	40410.2040.05.0007.32	on request
65	70 x 2	100	80	133	95	594	781	25	19	40410.2040.05.0008.32	on request
80	85 x 2	125	90	172	110	721	938	33	30	40410.2040.05.0009.32	on request
100	104 x 2	150	100	172	129	758	1015	36	40	40410.2040.05.0010.32	on request

PTFE bellows

DN Inch	Dimension	A	B	ØD	F	H	L	Stroke(S)	kg	Reference Number	Price
1"	25,4 x 1,65	50	52	88	50	413	520	18	6,2	40410.2040.05.6024.32	on request
1 ½"	38,1 x 1,65	80	55	88	63	424	551	19	8	40410.2040.05.6026.32	on request
2"	50,8 x 1,65	100	65	111	75,5	509	660	22	14	40410.2040.05.6027.32	on request
2 ½"	63,5 x 1,65	100	72	132	86	574	752	25	17,4	40410.2040.05.6028.32	on request
3"	76,2 x 1,65	125	80	172	101	700	907	33	28	40410.2040.05.6029.32	on request
4"	101,6 x 2,11	150	92,6	172	123,5	745	998	35	38	40410.2040.05.6030.32	on request

Aseptic Change Over Valve Type LT – one-piece valve body – 4 ports

pneumatic – air to open-spring to close NC



i Closing pressure of 6 bar is only ensured with flow direction into middle port with control air pressure of at least 6 bar (max. 10 bar) – see arrow. Please review also the holding pressure chart (available separate).

PTFE bellows

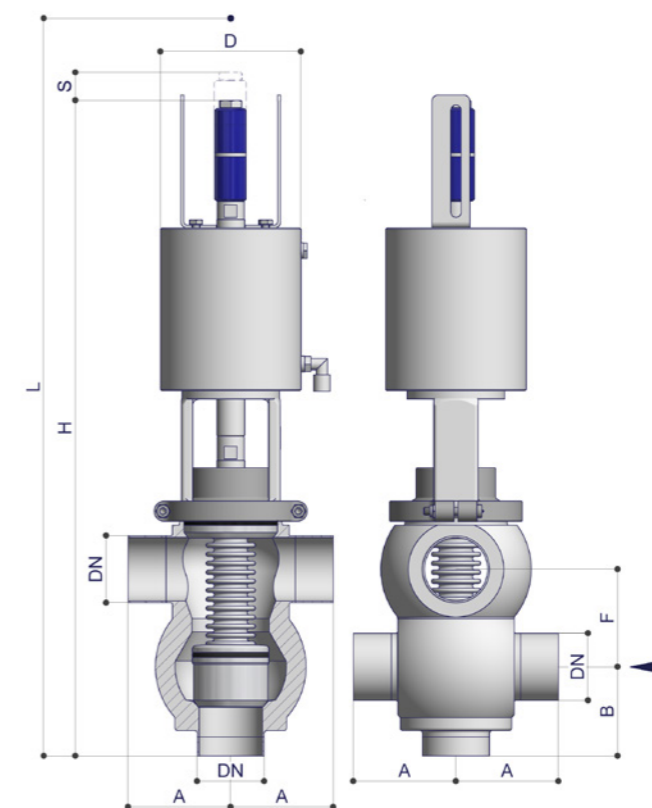
DN DIN	Dimension	A	B	ØD	F	H	L	Stroke(S)	kg	Reference Number	Price
25	29 x 1,5	50	50	88	55	410	517	15	6,2	40410.2060.05.0004.32	on request
40	41 x 1,5	60	60	88	65	433	561	18	7,2	40410.2060.05.0006.32	on request
50	53 x 1,5	80	70	111	77	518	672	22	15	40410.2060.05.0007.32	on request
65	70 x 2	100	80	133	95	594	781	25	19	40410.2060.05.0008.32	on request
80	85 x 2	125	90	172	110	721	938	33	30	40410.2060.05.0009.32	on request
100	104 x 2	150	100	172	129	758	1015	36	40	40410.2060.05.0010.32	on request

PTFE bellows

DN Inch	Dimension	A	B	ØD	F	H	L	Stroke(S)	kg	Reference Number	Price
1"	25,4 x 1,65	50	52	88	50	413	520	18	6,2	40410.2060.05.6024.32	on request
1 ½"	38,1 x 1,65	80	55	88	63	424	551	19	8	40410.2060.05.6026.32	on request
2"	50,8 x 1,65	100	65	111	75,5	509	660	22	14	40410.2060.05.6027.32	on request
2 ½"	63,5 x 1,65	100	72	132	86	574	752	25	17,4	40410.2060.05.6028.32	on request
3"	76,2 x 1,65	125	80	172	101	700	907	33	28	40410.2060.05.6029.32	on request
4"	101,6 x 2,11	150	92,6	172	123,5	745	998	35	38	40410.2060.05.6030.32	on request

Aseptic Change Over Valve Type TT – one-piece valve body – 5 ports

pneumatic – air to open-spring to close NC



i Closing pressure of 6 bar is only ensured with flow direction into middle port with control air pressure of at least 6 bar (max. 10 bar) – see arrow. Please review also the holding pressure chart (available separate).

PTFE bellows

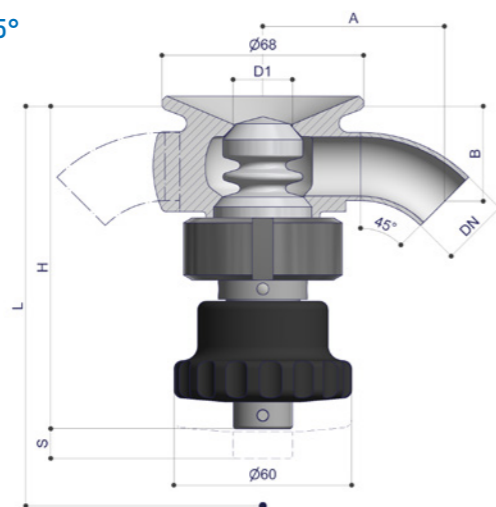
DN DIN	Dimension	A	B	ØD	F	H	L	Stroke(S)	kg	Reference Number	Price
25	29 x 1,5	50	50	88	55	410	517	15	6,2	40410.2080.05.0004.32	on request
40	41 x 1,5	60	60	88	65	433	561	18	7,2	40410.2080.05.0006.32	on request
50	53 x 1,5	80	70	111	77	518	672	22	15	40410.2080.05.0007.32	on request
65	70 x 2	100	80	133	95	594	781	25	19	40410.2080.05.0008.32	on request
80	85 x 2	125	90	172	110	721	938	33	30	40410.2080.05.0009.32	on request
100	104 x 2	150	100	172	129	758	1015	36	40	40410.2080.05.0010.32	on request

PTFE bellows

DN Inch	Dimension	A	B	ØD	F	H	L	Stroke(S)	kg	Reference Number	Price
1"	25,4 x 1,65	50	52	88	50	413	520	18	6,2	40410.2080.05.6024.32	on request
1 ½"	38,1 x 1,65	80	55	88	63	424	551	19	8	40410.2080.05.6026.32	on request
2"	50,8 x 1,65	100	65	111	75,5	509	660	22	14	40410.2080.05.6027.32	on request
2 ½"	63,5 x 1,65	100	72	132	86	574	752	25	17,4	40410.2080.05.6028.32	on request
3"	76,2 x 1,65	125	80	172	101	700	907	33	28	40410.2080.05.6029.32	on request
4"	101,6 x 2,11	150	92,6	172	123,5	745	998	35	38	40410.2080.05.6030.32	on request

Aseptic Bottom Seat Small Valve 45°

manual with plastic hand wheel



DN DIN	Dimension	1 port				2 ports						
		A	B	ØD1	H	L	Stroke(S)	kg	Reference Number	Price	Reference Number	Price
10	13 x 1,5	46	30	16	115	162	5	1,4	40704.2100.05.0001.32	on request	40704.2100.05.0101.32	on request
15	19 x 1,5	58	32	20	115	162	5	1,4	40704.2100.05.0002.32	on request	40704.2100.05.0202.32	on request
20	23 x 1,5	61	32	20	115	162	5	1,4	40704.2100.05.0003.32	on request	40704.2100.05.0303.32	on request

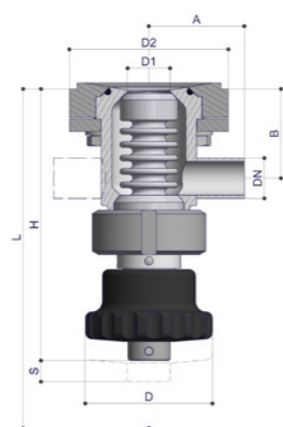
Valve body with turned on weld-in flange for direct welding into tank bottom

Gasket Kit Product Side

DN DIN	Reference Number	Price
10 – 20	5005113	on request

Aseptic Bottom Seat Small Valve 90°

manual with plastic hand wheel

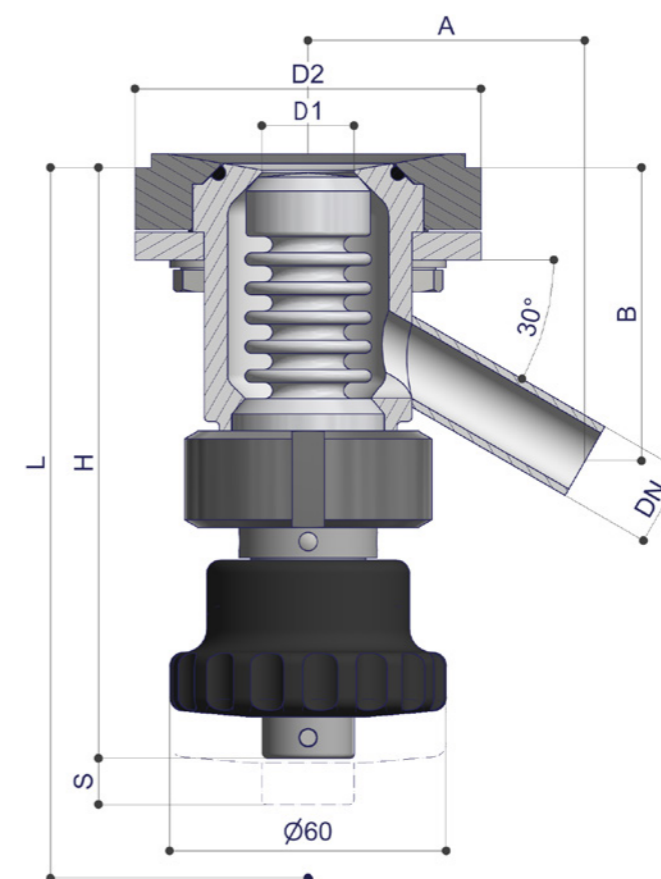


DN DIN	Dimension	1 port				2 ports								
		A	B	ØD	D1	D2	H	L	Stroke(S)	kg	Reference Number	Price	Reference Number	Price
10	13 x 1,5	45	45	60	20	75	132	203	10	2	40704.2010.05.0001.32	on request	40704.2010.05.0101.32	on request
15	19 x 1,5	45	42	60	20	75	132	203	10	2	40704.2010.05.0002.32	on request	40704.2010.05.0202.32	on request
20	23 x 1,5	50	40	60	20	75	132	203	10	2	40704.2010.05.0003.32	on request	40704.2010.05.0303.32	on request

Prices and weights without weld-in flange

Aseptic Bottom Seat Small Valve 30°

manual with plastic hand wheel

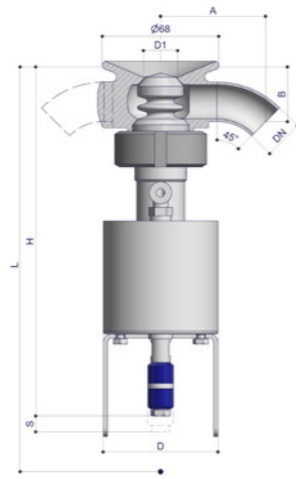


DN DIN	Dimension	1 port									
		A	B	D1	D2	H	L	Stroke(S)	kg	Reference Number	Price
10	13 x 1,5	45	57	20	75	132	203	10	2	40704.2000.05.0001.32	on request
15	19 x 1,5	46	54	20	75	132	203	10	2	40704.2000.05.0002.32	on request
20	23 x 1,5	48	53	20	75	132	203	10	2	40704.2000.05.0003.32	on request

Prices and weights without weld-in flange – on request with rinsing inlet against surcharge

Aseptic Bottom Seat Small Valve 45°

pneumatic – air to open-spring to close NC



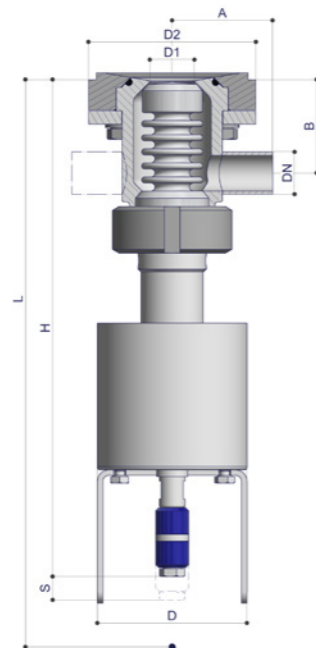
DN DIN	Dimension	1 port				2 ports							
		A	B	ØD	D1	H	L	Stroke(S)	kg	Reference Number	Price	Reference Number	Price
10	13 x 1,5	46	30	67	16	212	261	5	2,3	40701.2100.05.0001.32	on request	40701.2100.05.0101.32	on request
15	19 x 1,5	58	32	67	20	212	261	5	2,3	40701.2100.05.0002.32	on request	40701.2100.05.0202.32	on request
20	23 x 1,5	61	32	67	20	212	261	5	2,3	40701.2100.05.0003.32	on request	40701.2100.05.0303.32	on request

Valve body with turned on weld-in flange for direct welding into tank bottom

Dichtsatz Produktseite		
DN DIN	Reference Number	Price
10 – 20	5005113	on request

Aseptic Bottom Seat Small Valve 90°

pneumatic – air to open-spring to close NC

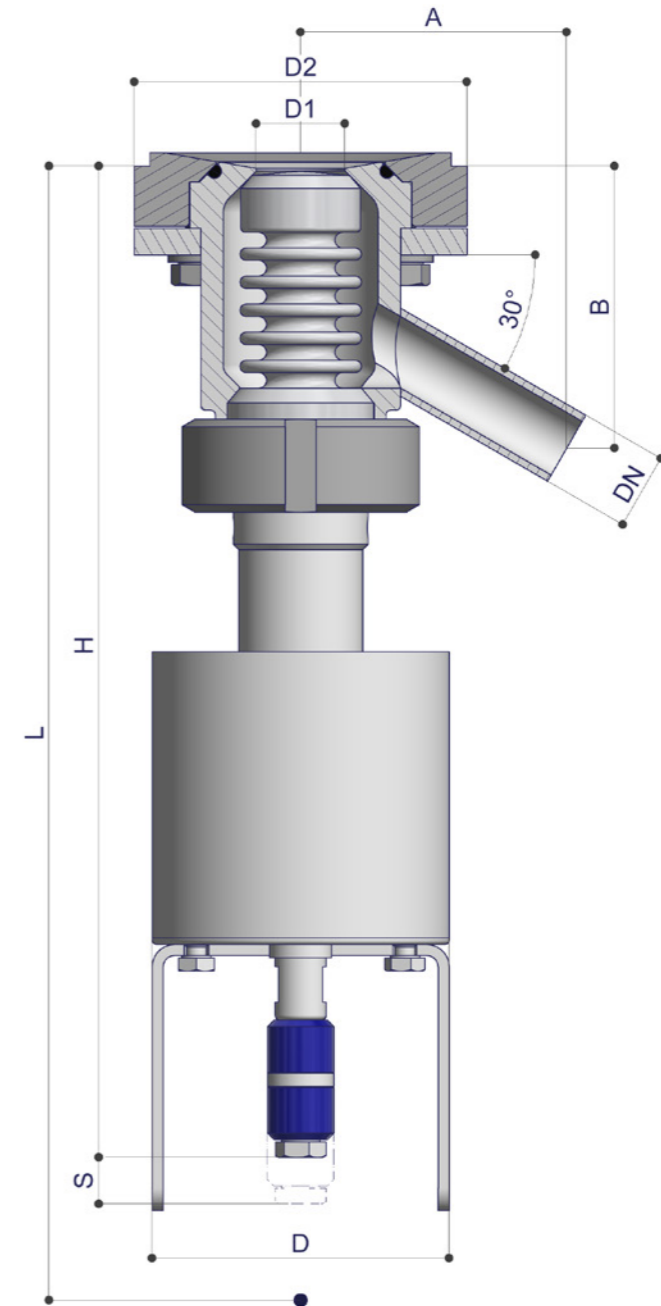


DN DIN	Dimension	1 port				2 ports								
		A	B	ØD	D1	D2	H	L	Stroke(S)	kg	Reference Number	Price	Reference Number	Price
10	13 x 1,5	45	45	67	20	75	227	298	10	2,5	40701.2010.05.0001.32	on request	40701.2010.05.0101.32	on request
15	19 x 1,5	45	42	67	20	75	227	298	10	2,5	40701.2010.05.0002.32	on request	40701.2010.05.0202.32	on request
20	23 x 1,5	50	40	67	20	75	227	298	10	2,5	40701.2010.05.0003.32	on request	40701.2110.05.0303.32	on request

Prices and weights without weld-in flange

Aseptic Bottom Seat Small Valve 30°

pneumatic – air to open-spring to close NC

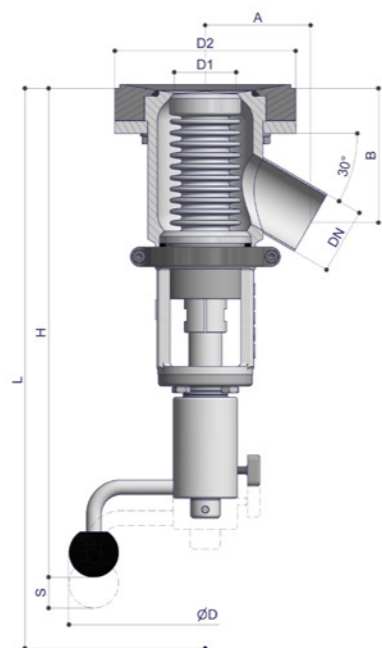


DN DIN	Dimension	1 port										
		A	B	ØD	D1	D2	H	L	Stroke(S)	kg	Reference Number	Price
10	13 x 1,5	45	61	67	20	75	227	298	10	2,5	40701.2000.05.0001.32	on request
15	19 x 1,5	46	58	67	20	75	227	298	10	2,5	40701.2000.05.0002.32	on request
20	23 x 1,5	48	57	67	20	75	227	298	10	2,5	40701.2000.05.0003.32	on request

Prices and weights without weld-in flange – on request with rinsing inlet against surcharge

Aseptic Bottom Seat Valve 30°

manual with crank handle



PTFE bellows metal bellows with EPDM-O-rings

DN DIN	Dimension	A	B	ØD	ØD1	ØD2	H	L	Stroke(S)	kg	Reference Number	Price	Reference Number	Price
25	29 x 1,5	65	81,5	171	31	108	298	395	12	5	40740.2000.05.0004.32	on request	40740.3000.01.0004.32	on request
40	41 x 1,5	80	90	171	38	133	306	414	14	7	40740.2000.05.0006.32	on request	40740.3000.01.0006.32	on request
50	53 x 1,5	85	108,5	220	50	146	395	528	20	11	40740.2000.05.0007.32	on request	40740.3000.01.0007.32	on request
65	70 x 2	100	129	220	66	173	420	579	22	15	40740.2000.05.0008.32	on request	40740.3000.01.0008.32	on request
80	85 x 2	115	142	220	81	186	440	621	30	17	40740.2000.05.0009.32	on request	40740.3000.01.0009.32	on request
100	104 x 2	150	184	220	100	217	485	706	27	22	40740.2000.05.0010.32	on request	40740.3000.01.0010.32	on request

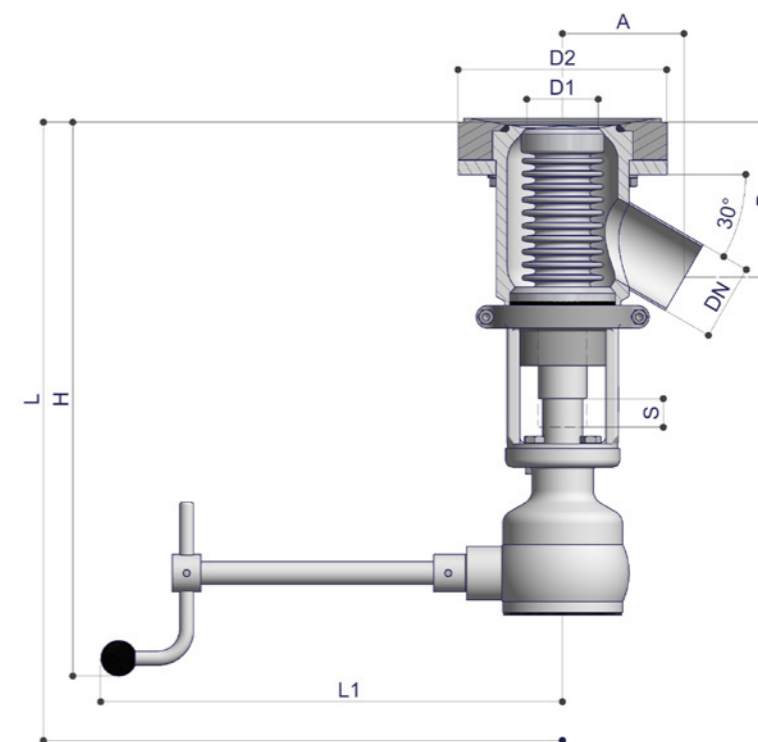
DN Inch	Dimension	A	B	ØD	ØD1	ØD2	H	L	Stroke(S)	kg	Reference Number	Price	Reference Number	Price
1"	25,4 x 1,65	65	83,6	171	31	108	298	395	12	5	40740.2000.05.0024.32	on request	40740.3000.01.0024.32	on request
1 ½"	38,1 x 1,65	80	92	171	38	133	306	414	14	7	40740.2000.05.0026.32	on request	40740.3000.01.0026.32	on request
2"	50,8 x 1,65	85	110	220	50	146	395	528	20	11	40740.2000.05.0027.32	on request	40740.3000.01.0027.32	on request
2 ½"	63,5 x 1,65	100	132,5	220	66	173	420	579	22	15	40740.2000.05.0028.32	on request	40740.3000.01.0028.32	on request
3"	76,2 x 1,65	115	147	220	81	186	440	621	30	17	40740.2000.05.0029.32	on request	40740.3000.01.0029.32	on request
4"	101,6 x 2,11	150	186	220	100	217	485	706	27	22	40740.2000.05.0030.32	on request	40740.3000.01.0030.32	on request

DN ISO	Dimension	A	B	ØD	ØD1	ØD2	H	L	Stroke(S)	kg	Reference Number	Price	Reference Number	Price
10	17,2 x 1,6										40740.2000.05.0041.32	on request	on request	on request
15	21,3 x 1,6										40740.2000.05.0042.32	on request	on request	on request
20	26,9 x 1,6										40740.2000.05.0043.32	on request	40740.3000.01.0043.32	on request
25	33,7 x 2,0										40740.2000.05.0044.32	on request	40740.3000.01.0044.32	on request
32	42,4 x 2,0										40740.2000.05.0045.32	on request	40740.3000.01.0045.32	on request
40	48,3 x 2,0										40740.2000.05.0046.32	on request	40740.3000.01.0046.32	on request
50	60,3 x 2,0										40740.2000.05.0047.32	on request	40740.3000.01.0047.32	on request
65	76,1 x 2,0										40740.2000.05.0048.32	on request	40740.3000.01.0048.32	on request
80	88,9 x 2,3										40740.2000.05.0049.32	on request	40740.3000.01.0049.32	on request
100	114,3 x 2,3										40740.2000.05.0050.32	on request	40740.3000.01.0050.32	on request

Prices and weights without weld-in flange – on request with rinsing inlet against surcharge.

Aseptic Bottom Seat Valve 30°

manual with bevel gear drive



PTFE bellows metal bellows with EPDM-O-rings

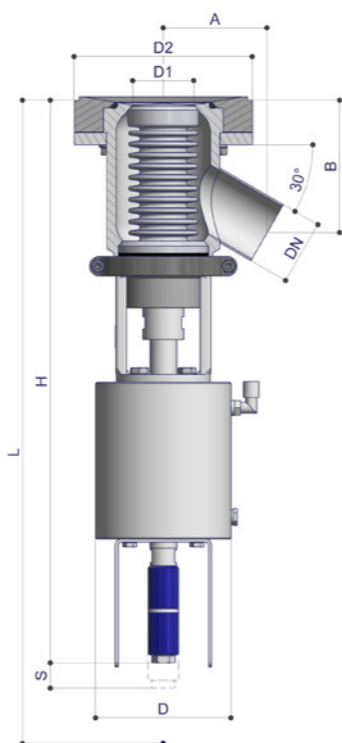
DN DIN	Dimension	A	B	ØD1	ØD2	H	L	L1	Stroke(S)	kg	Reference Number	Price	Reference Number	Price
25	29 x 1,5	65	81,5	31	108	327	425	*	18	7	40750.2000.05.0004.32	on request	40750.3000.01.0004.32	on request
40	41 x 1,5	80	90	38	133	338	444	*	18	9	40750.2000.05.0006.32	on request	40750.3000.01.0006.32	on request
50	53 x 1,5	85	108,5	50	146	387	521	*	20	12	40750.2000.05.0007.32	on request	40750.3000.01.0007.32	on request
65	70 x 2	100	129	66	173	465	625	*	25	16	40750.2000.05.0008.32	on request	40750.3000.01.0008.32	on request
80	85 x 2	115	142	81	186	455	666	*	34	18	40750.2000.05.0009.32	on request	40750.3000.01.0009.32	on request
100	104 x 2										40750.2000.05.0010.32	on request	40750.3000.01.0010.32	on request

PTFE bellows metal bellows with EPDM-O-rings

DN Inch	Dimension	A	B	ØD1	ØD2	H	L	L1	Stroke(S)	kg	Reference Number	Price	Reference Number	Price
1"	25,4 x 1,65										40750.2000.05.0024.32	on request	40750.3000.01.0024.32	on request
1 ½"	38,1 x 1,65										40750.2000.05.0026.32	on request	40750.3000.01.0026.32	on request
2"	50,8 x 1,65										40750.2000.05.0027.32	on request	40750.3000.01.0027.32	on request
2 ½"	63,5 x 1,65										40750.2000.05.0028.32	on request	40750.3000.01.0028.32	on request
3"	76,2 x 1,65										40750.2000.05.0029.32	on request	40750.3000.01.0029.32	on request
4"	101,6 x 2,11										40750.2000.05.0030.32	on request	40750.3000.01.0030.32	on request

* In case of order we request dimension of handle extension.
Prices and weights without weld-in flange – on request with rinsing inlet against surcharge.

Aseptic Bottom Seat Valve 30°
 pneumatic – air to open-spring to close NC



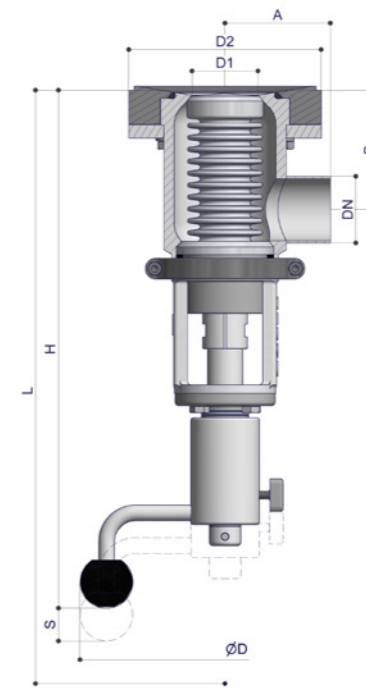
Prices without weld-in flange – on request with rinsing inlet against surcharge. i

DN DIN	Dimension	PTFE bellows										metal bellows		
		A	B	ØD	D1	D2	H	L	Stroke(S)	kg	Reference Number	Price	Reference Number	Price
25	29 x 1,5	65	81,5	88	31	108	373	470	12	7	40710.2000.05.0004.32	on request	40710.3000.01.0004.32	on request
40	41 x 1,5	80	90	88	38	133	382	490	14	9	40710.2000.05.0006.32	on request	40710.3000.01.0006.32	on request
50	53 x 1,5	85	108,5	111	50	146	462	595	20	15	40710.2000.05.0007.32	on request	40710.3000.01.0007.32	on request
65	70 x 2	100	129	132	66	173	531	690	22	22	40710.2000.05.0008.32	on request	40710.3000.01.0008.32	on request
80	85 x 2	115	142	172	81	186	645	826	33	31	40710.2000.05.0009.32	on request	40710.3000.01.0009.32	on request
100	104 x 2	150	184	172	100	217	690	910	28	36	40710.2000.05.0010.32	on request	40710.3000.01.0010.32	on request

DN Inch	Dimension	PTFE bellows										metal bellows		
		A	B	ØD	D1	D2	H	L	Stroke(S)	kg	Reference Number	Price	Reference Number	Price
1"	25,4 x 1,65	65	83,6	88	31	108	373	470	12	7	40710.2000.05.0024.32	on request	40710.3000.01.0024.32	on request
1 1/2"	38,1 x 1,65	80	92	88	38	133	382	490	14	9	40710.2000.05.0026.32	on request	40710.3000.01.0026.32	on request
2"	50,8 x 1,65	85	110	111	50	146	470	602	20	15	40710.2000.05.0027.32	on request	40710.3000.01.0027.32	on request
2 1/2"	63,5 x 1,65	100	132,5	132	66	173	532	690	22	22	40710.2000.05.0028.32	on request	40710.3000.01.0028.32	on request
3"	76,2 x 1,65	115	147	172	81	186	645	826	33	31	40710.2000.05.0029.32	on request	40710.3000.01.0029.32	on request
4"	101,6 x 2,11	150	186	172	100	217	690	910	28	36	40710.2000.05.0030.32	on request	40710.3000.01.0030.32	on request

DN ISO	Dimension	PTFE bellows										metal bellows		
		A	B	ØD	D1	D2	H	L	Stroke(S)	kg	Reference Number	Price	Reference Number	Price
10	17,2 x 1,6	60	64	67	20	75	227	298	10	2,5	40710.2000.05.0041.32	on request	on request	on request
15	21,3 x 1,6	60	60	67	20	75	227	298	10	2,5	40710.2000.05.0042.32	on request	on request	on request
20	26,9 x 1,6	65	83	88	31	108	376	473	12	7	40710.2000.05.0043.32	on request	40710.3000.01.0043.32	on request
25	33,7 x 2	65	79	88	31	108	373	470	12	7	40710.2000.05.0044.32	on request	40710.3000.01.0044.32	on request
32	42,4 x 2	80	90	88	38	133	382	490	14	9	40710.2000.05.0045.32	on request	40710.3000.01.0045.32	on request
40	48,3 x 2	85	111	111	50	146	462	595	20	15	40710.2000.05.0046.32	on request	40710.3000.01.0046.32	on request
50	60,3 x 2	95	110,5	111	50	146	462	595	20	15	40710.2000.05.0047.32	on request	40710.3000.01.0047.32	on request
65	76,2 x 2,3	100	125	132	66	173	532	690	22	21	40710.2000.05.0048.32	on request	40710.3000.01.0048.32	on request
80	88,9 x 2,3	115	141	172	81	186	645	826	30	31	40710.2000.05.0049.32	on request	40710.3000.01.0049.32	on request
100	114,3 x 2,6	150	186	172	100	217	690	910	28	36	40710.2000.05.0050.32	on request	40710.3000.01.0050.32	on request

Aseptic Bottom Seat Valve 90°
 manual with crank handle



Prices without weld-in flange – on request with rinsing inlet against surcharge. i

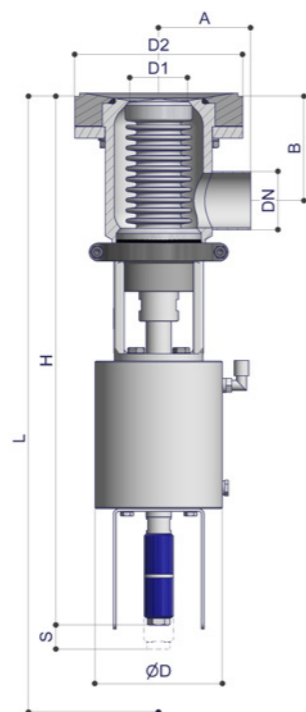
DN DIN	Dimension	PTFE bellows										metal bellows with EPDM-O-rings			
		A	B	ØD	ØD1	ØD2	H	L	Stroke(S)	kg	Reference Number	Price	Reference Number	Price	
25	29 x 1,5	60	64,5	171	31	108	301	398	10	5	40740.2010.05.0004.32	on request	40740.3010.01.0004.32	on request	
40	41 x 1,5	70	69,5	171	38	133	306	414	14	7	40740.2010.05.0006.32	on request	40740.3010.01.0006.32	on request	
50	53 x 1,5	80	90	220	50	146	395	528	20	11	40740.2010.05.0007.32	on request	40740.3010.01.0007.32	on request	
65	70 x 2	100	109	220	66	173	420	579	22	15	40740.2010.05.0008.32	on request	40740.3010.01.0008.32	on request	
80	85 x 2	115	120	220	81	186	440	621	30	18	40740.2010.05.0009.32	on request	40740.3010.01.0009.32	on request	
100	104 x 2	120	151	220	100	217	485	706	27	23	40740.2010.05.0010.32	on request	40740.3010.01.0010.32	on request	

DN Inch	Dimension	PTFE bellows										metal bellows with EPDM-O-rings			
		A	B	ØD	ØD1	ØD2	H	L	Stroke(S)	kg	Reference Number	Price	Reference Number	Price	
1"	25,4 x 1,65	60	66,7	171	31	108	298	395	12	5	40740.2010.05.0024.32	on request	40740.3010.01.0024.32	on request	
1 1/2"	38,1 x 1,65	80	71,2	171	38	133	306	414	14	7	40740.2010.05.0026.32	on request	40740.3010.01.0026.32	on request	
2"	50,8 x 1,65	80	91	220	50	146	395	528	20	11	40740.2010.05.0027.32	on request	40740.3010.01.0027.32	on request	
2 1/2"	63,5 x 1,65	100	112	220	66	173	420	579	22	15	40740.2010.05.0028.32	on request	40740.3010.01.0028.32	on request	
3"	76,2 x 1,65	120	124	220	81	186	440	621	30	17	40740.2010.05.0029.32	on request	40740.3010.01.0029.32	on request	
4"	101,6 x 2,11	120	153	220	100	217	485	706	27	22	40740.2010.05.0030.32	on request	40740.3010.01.0030.32	on request	

DN ISO	Dimension	PTFE bellows										metal bellows with EPDM-O-rings			
		A	B	ØD	ØD1	ØD2	H	L	Stroke(S)	kg	Reference Number	Price	Reference Number	Price	
10	17,2 x 1,6										40740.2010.05.0041.32	on request	on request	on request	
15	21,3 x 1,6										40740.2010.05.0042.32	on request	on request	on request	
20	26,9 x 1,6										40740.2010.05.0043.32	on request	40740.3010.01.0043.32	on request	
25	33,7 x 2,0										40740.2010.05.0044.32	on request	40740.3010.01.0044.32	on request	
32	42,4 x 2,0										40740.2010.05.0045.32	on request	40740.3010.01.0045.32	on request	
40	48,3 x 2,0										40740.2010.05.0046.32	on request	40740.3010.01.0046.32	on request	
50	60,3 x 2,0										40740.2010.05.0047.32	on request	40740.3010.01.0047.32	on request	
65	76,1 x 2,0										40740.2010.05.0048.32	on request	40740.3010.01.0048.32	on request	
80	88,9 x 2,3										40740.2010.05.0049.32	on request	40740.3010.01.0049.32	on request	
100	114,3 x 2,3										40740.2010.05.0050.32	on request	40740.3010.01.0050.32	on request	

Aseptic Bottom Seat Valve 90°

pneumatic – air to open-spring to close NC



Prices without weld-in flange – on request with rinsing inlet against surcharge.



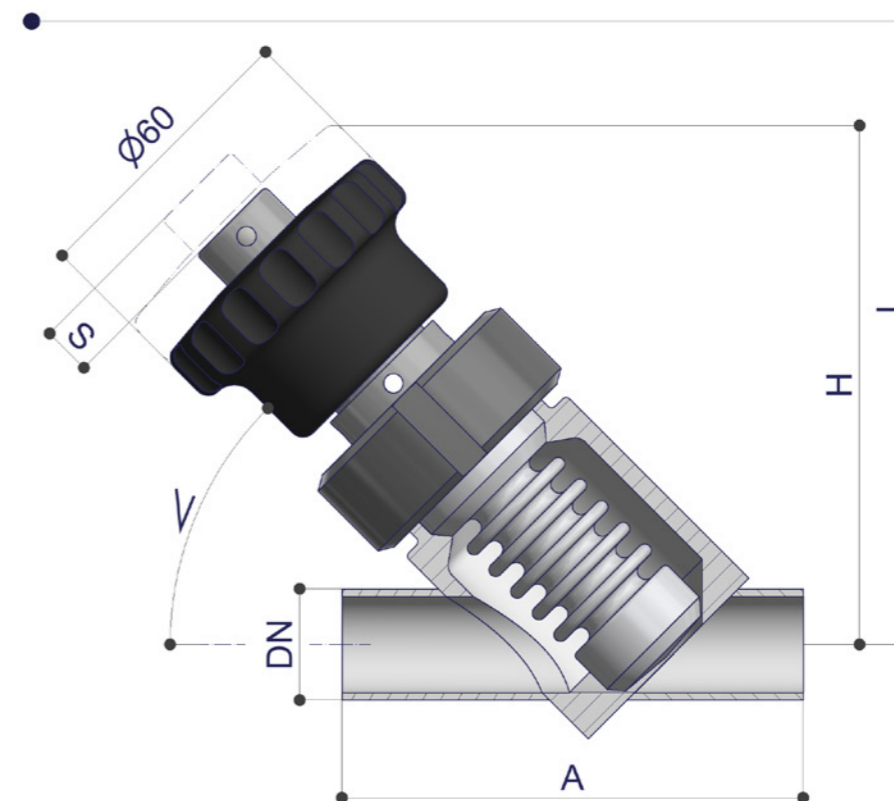
DN DIN	Dimension	PTFE bellows							metal bellows					
		A	B	ØD	D1	D2	H	L	Stroke(S)	kg	Reference Number	Price	Reference Number	Price
25	29 x 1,5	60	64,5	88	31	108	373	470	12	7	40710.2010.05.0004.32	on request	40710.3010.01.0004.32	on request
40	41 x 1,5	70	69,5	88	38	133	382	490	14	9	40710.2010.05.0006.32	on request	40710.3010.01.0006.32	on request
50	53 x 1,5	80	90	111	50	146	462	595	20	15	40710.2010.05.0007.32	on request	40710.3010.01.0007.32	on request
65	70 x 2	100	109	132	66	173	531	690	22	21	40710.2010.05.0008.32	on request	40710.3010.01.0008.32	on request
80	85 x 2	115	120	172	81	186	645	826	33	31	40710.2010.05.0009.32	on request	40710.3010.01.0009.32	on request
100	104 x 2	120	151	172	100	217	690	910	28	36	40710.2010.05.0010.32	on request	40710.3010.01.0010.32	on request

DN Inch	Dimension	PTFE bellows							metal bellows					
		A	B	ØD	D1	D2	H	L	Stroke(S)	kg	Reference Number	Price	Reference Number	Price
1"	25,4 x 1,65	60	66,7	88	31	108	373	470	12	7	40710.2010.05.0024.32	on request	40710.3010.01.0024.32	on request
1 ½"	38,1 x 1,65	80	71	88	38	133	382	490	14	9	40710.2010.05.0026.32	on request	40710.3010.01.0026.32	on request
2"	50,8 x 1,65	80	91	111	50	146	470	602	20	15	40710.2010.05.0027.32	on request	40710.3010.01.0027.32	on request
2 ½"	63,5 x 1,65	100	112	132	66	173	527	687	22	17	40710.2010.05.0028.32	on request	40710.3010.01.0028.32	on request
3"	76,2 x 1,65	120	124	172	81	186	642	821	30	30	40710.2010.05.0029.32	on request	40710.3010.01.0029.32	on request
4"	101,6 x 2,11	120	153	172	100	217	690	910	28	36	40710.2010.05.0030.32	on request	40710.3010.01.0030.32	on request

DN ISO	Dimension	PTFE bellows							metal bellows					
		A	B	ØD	D1	D2	H	L	Stroke(S)	kg	Reference Number	Price	Reference Number	Price
10											40710.2010.05.0041.32	on request	on request	on request
15											40710.2010.05.0042.32	on request	on request	on request
20											40710.2010.05.0043.32	on request	40710.3010.01.0043.32	on request
25											40710.2010.05.0044.32	on request	40710.3010.01.0044.32	on request
32											40710.2010.05.0045.32	on request	40710.3010.01.0045.32	on request
40											40710.2010.05.0046.32	on request	40710.3010.01.0046.32	on request
50											40710.2010.05.0047.32	on request	40710.3010.01.0047.32	on request
65											40710.2010.05.0048.32	on request	40710.3010.01.0048.32	on request
80											40710.2010.05.0049.32	on request	40710.3010.01.0049.32	on request
100											40710.2010.05.0050.32	on request	40710.3010.01.0050.32	on request

Aseptic Inclined Seat Valve Type S

manual with plastic hand wheel

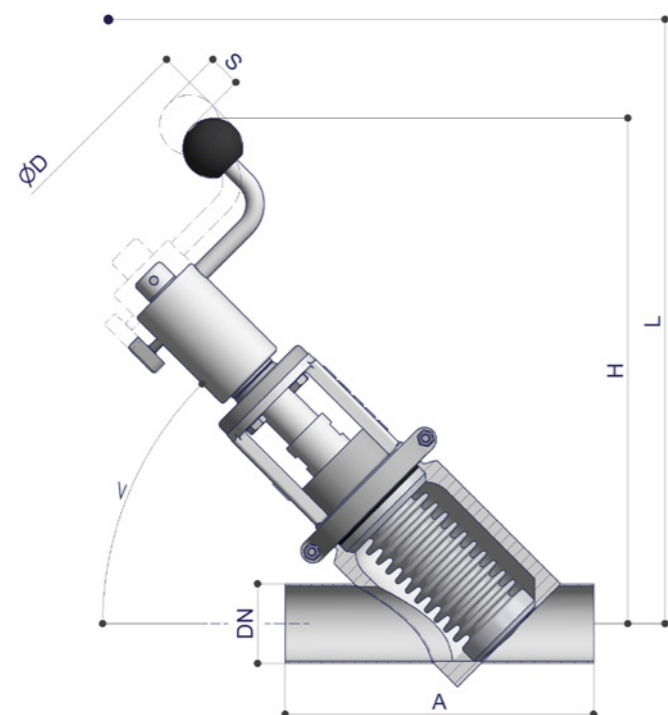


DN DIN	Dimension	PTFE bellows							Reference Number		Price	
		A	<°	ØD	H	L	Stroke(S)	kg	Reference Number	Price		
10											see BioCheck angular seat valve on Capture BioCheck Valves	
15	19 x 1,5	95	45	60	116	155	5	1,6	40542.2000.05.0002.32	on request		
20	23 x 1,5	95	45	60	102	140	5	1,6	40542.2000.05.0003.32	on request		

DN Inch	Dimension	PTFE bellows							Reference Number		Price	
		A	<°	ØD	H	L	Stroke(S)	kg	Reference Number	Price		
½"	12,7 x 1,65										40542.2000.05.0022.32	on request
¾"	19,05 x 1,65										40542.2000.05.0023.32	on request

Aseptic Inclined Seat Valve Type S

manual with crank handle

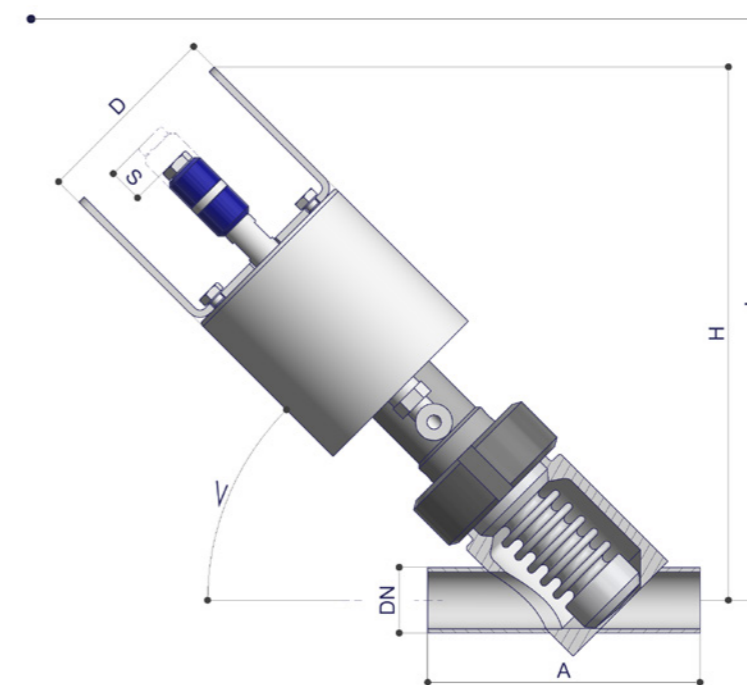


DN DIN	Dimension	A	<°	ØD	H	L	Stroke(S)	kg	PTFE bellows		metal bellows with EPDM-O-rings	
									Reference Number	Price	Reference Number	Price
25	29 x 1,5	140	45	171	262	330	12	4	40540.2000.05.0004.32	on request	40540.3000.01.0004.32	on request
40	41 x 1,5	170	45	171	263	340	14	4	40540.2000.05.0006.32	on request	40540.3000.01.0006.32	on request
50	53 x 1,5	205	45	220	338	432	20	9	40540.2000.05.0007.32	on request	40540.3000.01.0007.32	on request
65	70 x 2	250	40	220	332	435	22	9	40540.2000.05.0008.32	on request	40540.3000.01.0008.32	on request
80	on request								40540.2000.05.0009.32	on request	40540.3000.01.0009.32	on request
100	on request								40540.2000.05.0010.32	on request	40540.3000.01.0010.32	on request

DN Inch	Dimension	A	<°	ØD	H	L	Stroke(S)	kg	PTFE bellows		metal bellows with EPDM-O-rings	
									Reference Number	Price	Reference Number	Price
1"	25,4 x 1,65	125	45	171	259	323	13	4	40540.2000.05.6024.32	on request	40540.3000.01.6024.32	on request
1 ½"	38,1 x 1,65	170	45	171	265	340	13	4	40540.2000.05.6026.32	on request	40540.3000.01.6026.32	on request
2"	50,8 x 1,65	205	45	220	340	433	20	9	40540.2000.05.6027.32	on request	40540.3000.01.6027.32	on request
2 ½"	63,5 x 1,65	255	40	220	338	437	22	9	40540.2000.05.6028.32	on request	40540.3000.01.6028.32	on request
3"	76,2 x 1,65	305	40	220	347	456	25	15	40540.2000.05.6029.32	on request	40540.3000.01.6029.32	on request
4"	101,6 x 2,11	350	40	220	374	514	24	18	40540.2000.05.6030.32	on request	40540.3000.01.6030.32	on request

Aseptic Inclined Seat Valve Type S

pneumatic – air to open-spring to close NC

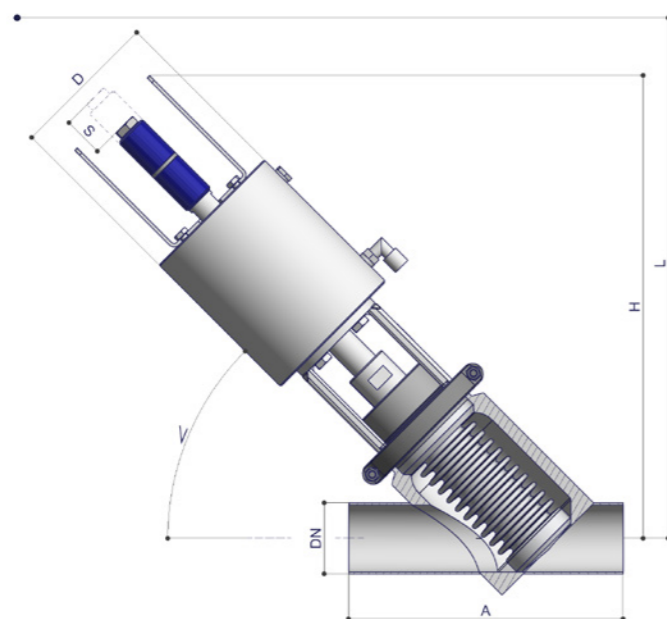


DN DIN	Dimension	A	<°	ØD	H	L	Stroke(S)	kg	PTFE bellows	
									Reference Number	Price
10	see BioCheck angular seat valve on Capture BioCheck Valve									
15	19 x 1,5	95	45	67	190	237	7	2,2	40510.2000.05.0002.32	on request
20	23 x 1,5	95	45	67	190	237	7	2,2	40510.2000.05.0003.32	on request

DN Inch	Dimension	A	<°	ØD	H	L	Stroke(S)	kg	PTFE bellows	
									Reference Number	Price
½"	12,7 x 1,65	117	45	67	on request			40510.2000.05.0022.32	on request	
¾"	19,05 x 1,65	135	45	67	173	221	7	2,2	40510.2000.05.0023.32	on request

Aseptic Inclined Seat Valve Type S

pneumatic – air to open-spring to close NC

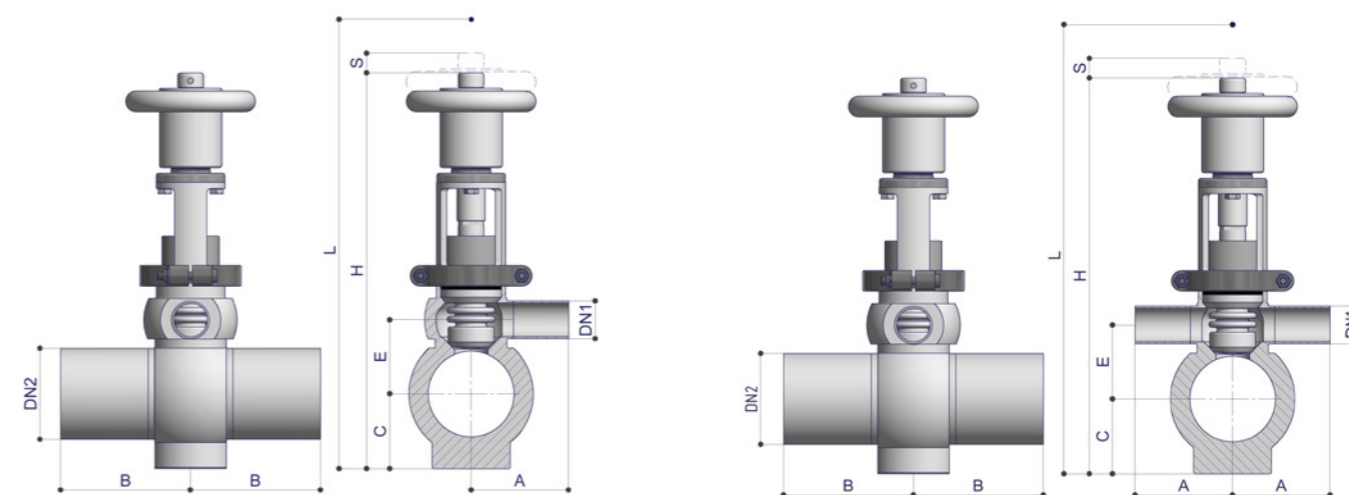


DN DIN	Dimension	PTFE bellows						metal bellows with EPDM-O-rings					
		A	<°	ØD	H	L	Stroke(S)	kg	Reference Number	Price	Reference Number	Price	
25	29 x 1,5	140	45	88	280	345	12	5,4	40510.2000.05.0004.32	on request	40510.3000.01.0004.32	on request	
40	41 x 1,5	170	45	88	283	355	17	6,2	40510.2000.05.0006.32	on request	40510.3000.01.0006.32	on request	
50	53 x 1,5	205	45	111	346	432	20	13	40510.2000.05.0007.32	on request	40510.3000.01.0007.32	on request	
65	70 x 2	250	40	132	358	451	22	17	40510.2000.05.0008.32	on request	40510.3000.01.0008.32	on request	
80	85 x 2	300	40	172	427	534	30	28	40510.2000.05.0009.32	on request	40510.3000.01.0009.32	on request	
100	104 x 2	350	40	172	450	582	28	32	40510.2000.05.0010.32	on request	40510.3000.01.0010.32	on request	

DN Inch	Dimension	PTFE bellows						metal bellows with EPDM-O-rings					
		A	<°	ØD	H	L	Stroke(S)	kg	Reference Number	Price	Reference Number	Price	
1"	25,4 x 1,65	125	45	88	278	338	13	5,4	40510.2000.05.6024.32	on request	40510.3000.01.6024.32	on request	
1 ½"	38,1 x 1,65	170	45	88	283	355	13	6,2	40510.2000.05.6026.32	on request	40510.3000.01.6026.32	on request	
2"	50,8 x 1,65	205	45	111	347	433	20	14	40510.2000.05.6027.32	on request	40510.3000.01.6027.32	on request	
2 ½"	63,5 x 1,65	255	40	132	358	453	17	17	40510.2000.05.6028.32	on request	40510.3000.01.6028.32	on request	
3"	76,2 x 1,65	305	40	172	424	531	25	28	40510.2000.05.6029.32	on request	40510.3000.01.6029.32	on request	
4"	101,6 x 2,11	350	40	172	450	581	32	32	40510.2000.05.6030.32	on request	40510.3000.01.6030.32	on request	

Aseptic Straight-Way Valve – piggable Type D

manual with hand wheel – with PTFE bellows



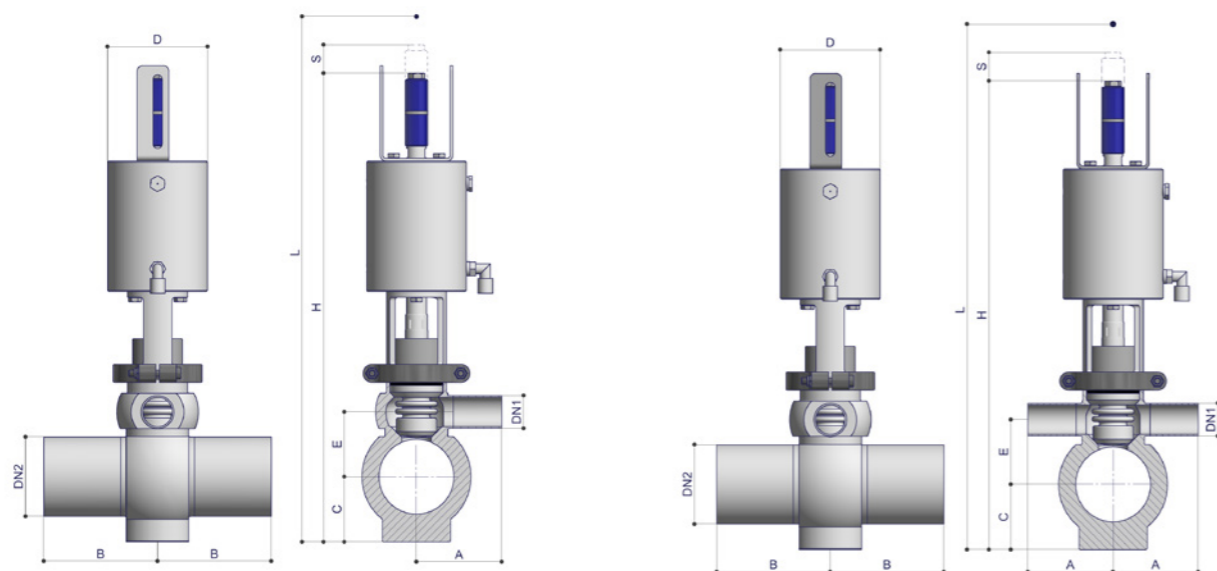
with rinsing inlet

DN 25 = DIN = 29 x 1,5 mm
 DN 40 = DIN = 41 x 1,5 mm
 DN 50 = DIN = 53 x 1,5 mm
 DN 65 = DIN = 70 x 2 mm
 DN 80 = DIN = 85 x 2 mm
 DN 100 = DIN = 104 x 2 mm

with rinsing inlet												
DN1	DN2	A	B	C	H	L	Stroke(S)	kg	Reference Number	Price	Reference Number	Price
25	25	50	50	37	237	294	7	6	40643.2020.05.0404.32	on request	40643.2040.05.0404.32	on request
25	40	50	60	43	243	300	7	6	40643.2020.05.0406.32	on request	40643.2040.05.0406.32	on request
25	50	75	80	49	249	306	7	6	40643.2020.05.0407.32	on request	40643.2040.05.0407.32	on request
25	65	75	100	57	257	314	7	6	40643.2020.05.0408.32	on request	40643.2040.05.0408.32	on request
25	80	75	125	64,5	265	322	7	6	40643.2020.05.0409.32	on request	40643.2040.05.0409.32	on request
40	40	60	60	46	241	309	9	6	40643.2020.05.0606.32	on request	40643.2040.05.0606.32	on request
40	50	60	80	52	247	315	9	6	40643.2020.05.0607.32	on request	40643.2040.05.0607.32	on request
40	65	90	100	60	255	323	9	6	40643.2020.05.0608.32	on request	40643.2040.05.0608.32	on request
40	80	90	125	67,5	263	331	9	7	40643.2020.05.0609.32	on request	40643.2040.05.0609.32	on request
50	50	80	80	60	325	404	12	10	40643.2020.05.0707.32	on request	40643.2040.05.0707.32	on request
50	65	90	100	68	333	412	12	11	40643.2020.05.0708.32	on request	40643.2040.05.0708.32	on request
50	80	90	125	75,5	341	420	12	11	40643.2020.05.0709.32	on request	40643.2040.05.0709.32	on request
50	100	90	150	85	350	429	12	12	40643.2020.05.0710.32	on request	40643.2040.05.0710.32	on request

Aseptic Straight-Way Valve – piggable Type D

pneumatic – air to open-spring to close NC – with PTFE bellows



with rinsing inlet

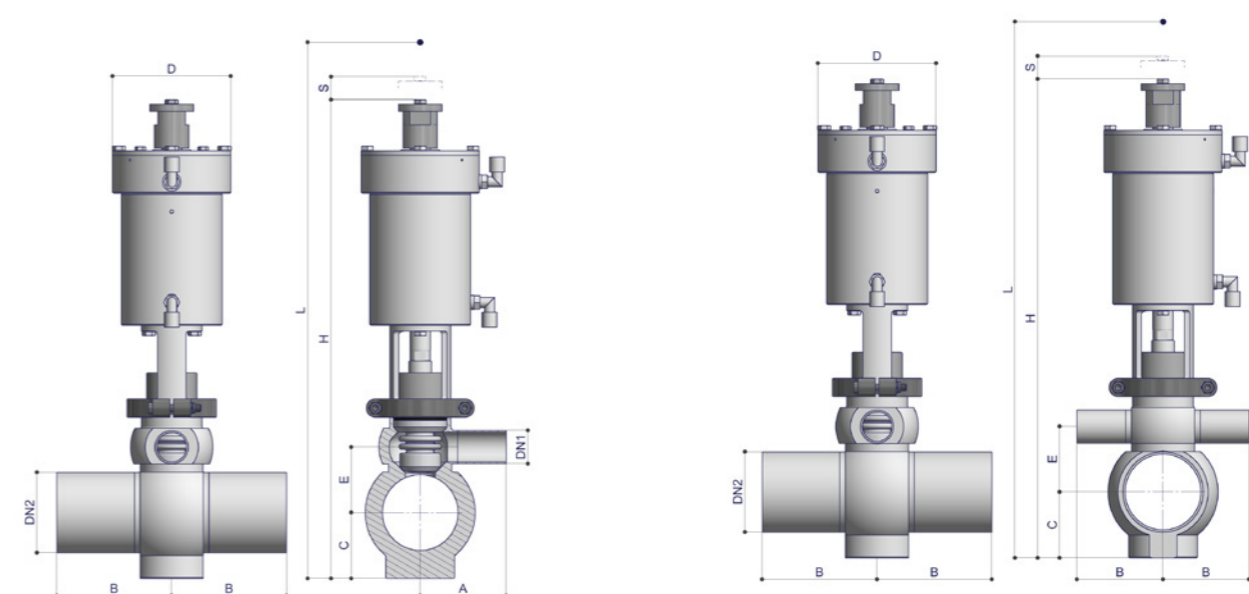
DN 25 = DIN = 29 x 1,5 mm	DN 65 = DIN = 70 x 2 mm	i
DN 40 = DIN = 41 x 1,5 mm	DN 80 = DIN = 85 x 2 mm	
DN 50 = DIN = 53 x 1,5 mm	DN 100 = DIN = 104 x 2 mm	

with rinsing inlet

DN1	DN2	A	B	C	ØD	H	L	Stroke(S)	kg	Reference Number	Price	Reference Number	Price
25	25	50	50	37	88	351	407	7	7	40610.2020.05.0404.32	on request	40610.2040.05.0404.32	on request
25	40	50	60	43	88	357	413	7	7	40610.2020.05.0406.32	on request	40610.2040.05.0406.32	on request
25	50	75	80	49	88	363	419	7	7	40610.2020.05.0407.32	on request	40610.2040.05.0407.32	on request
25	65	75	100	57	88	371	427	7	7	40610.2020.05.0408.32	on request	40610.2040.05.0408.32	on request
25	80	75	125	64,5	88	379	435	7	7	40610.2020.05.0409.32	on request	40610.2040.05.0409.32	on request
40	40	60	60	46	88	354	422	9	7	40610.2020.05.0606.32	on request	40610.2040.05.0606.32	on request
40	50	60	80	52	88	360	428	9	7	40610.2020.05.0607.32	on request	40610.2040.05.0607.32	on request
40	65	90	100	60	88	368	436	9	7	40610.2020.05.0608.32	on request	40610.2040.05.0608.32	on request
40	80	90	125	67,5	88	376	444	9	8	40610.2020.05.0609.32	on request	40610.2040.05.0609.32	on request
50	50	80	80	60	111	440	519	12	14	40610.2020.05.0707.32	on request	40610.2040.05.0707.32	on request
50	65	90	100	66	111	448	527	12	14	40610.2020.05.0708.32	on request	40610.2040.05.0708.32	on request
50	80	90	125	73,5	111	456	535	12	14	40610.2020.05.0709.32	on request	40610.2040.05.0709.32	on request
50	100	90	150	83	111	465	544	12	14	40610.2020.05.0710.32	on request	40610.2040.05.0710.32	on request

Aseptic Straight-Way Valve – piggable Type D

pneumatic – air to open-spring to close NC – three-position actuator – with PTFE bellows



with rinsing inlet

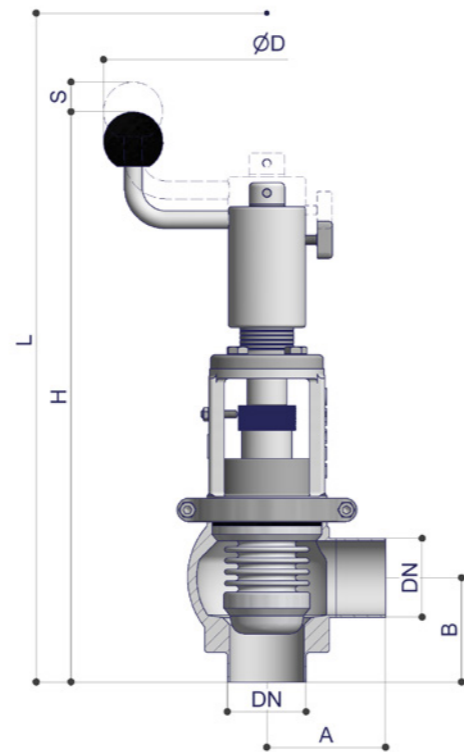
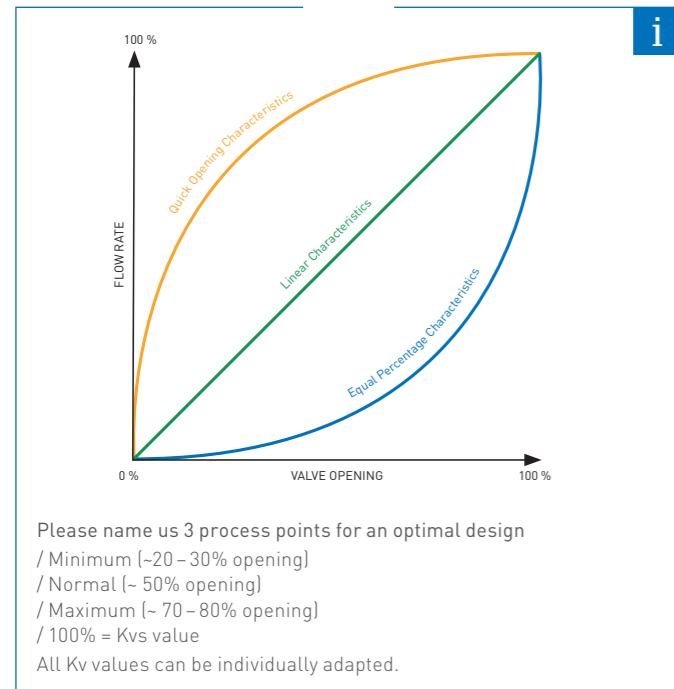
DN 15 = DIN = 19 x 1,5 mm	DN 65 = DIN = 70 x 2 mm	i
DN 25 = DIN = 29 x 1,5 mm	DN 80 = DIN = 85 x 2 mm	
DN 40 = DIN = 41 x 1,5 mm	DN 100 = DIN = 104 x 2 mm	

with rinsing inlet

DN1	DN2	A	B	C	D	E	H	L	Stroke(S)	kg	Reference Number	Price	Reference Number	Price	
15	25	on request										40671.2020.05.0204.32	on request	40671.2040.05.0204.32	on request
15	40	on request										40671.2020.05.0206.32	on request	40671.2040.05.0206.32	on request
15	50	on request										40671.2020.05.0207.32	on request	40671.2040.05.0207.32	on request
15	65	on request										40671.2020.05.0208.32	on request	40671.2040.05.0208.32	on request
15	80	on request										40671.2020.05.0209.32	on request	40671.2040.05.0209.32	on request
15	100	on request										40671.2020.05.0210.32	on request	40671.2040.05.0210.32	on request

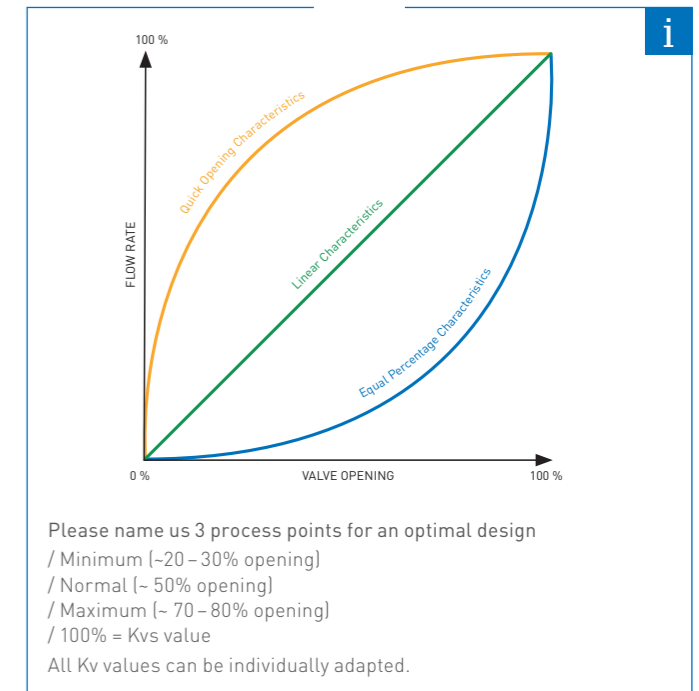
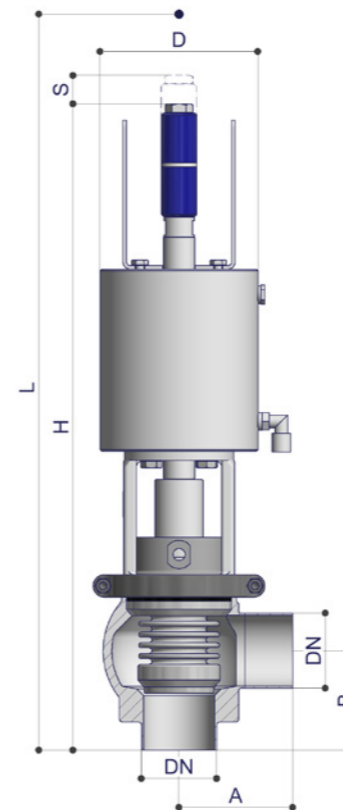
Aseptic Regulating Right Angle Valve

manual with crank handle



Aseptic Regulating Right Angle Valve

pneumatic – air to open-spring to close NC



PTFE bellows

DN DIN	Dimension	A	B	ØD	H	L	Stroke(S)	kg	Reference Number	Price
25	29 x 1,5	50	50	171	288	350	7	3,1	41040.2000.05.0004.32	on request
40	41 x 1,5	60	60	171	302	376	10	4	41040.2000.05.0006.32	on request
50	53 x 1,5	80	70	220	383	473	12	7,5	41040.2000.05.0007.32	on request
65	70 x 2	100	80	220	397	510	16	10	41040.2000.05.0008.32	on request
80	85 x 2	125	90	220	423	542	18	12	41040.2000.05.0009.32	on request
100	104 x 2	150	100	220	426	579	23	14,3	41040.2000.05.0010.32	on request

PTFE bellows

DN Inch	Dimension	A	B	ØD	H	L	Stroke(S)	kg	Reference Number	Price
1"	25,4 x 1,65	50	50	171	285	352	7	3,1	41040.2000.05.6024.32	on request
1 ½"	38,1 x 1,65	60	60	171	298	376	10	4	41040.2000.05.6026.32	on request
2"	50,8 x 1,65	80	70	220	383	473	12	5,7	41040.2000.05.6027.32	on request
2 ½"	63,5 x 1,65	100	80	220	394	496	16	10	41040.2000.05.6028.32	on request
3"	76,2 x 1,65	120	80	220	408	516	18	12	41040.2000.05.6029.32	on request
4"	101,6 x 2,11	150	90	220	427	561	23	14,3	41040.2000.05.6030.32	on request

In case of order, details to working conditions are required like media, viscosity, temperature, incoming and outgoing pressure resp. pressure loss and flow quantity.

PTFE bellows

DN DIN	Dimension	A	B	ØD	H	L	Stroke(S)	kg	Reference Number	Price
25	29 x 1,5	50	50	88	421	480	7	5,1	41010.2000.05.0004.32	on request
40	41 x 1,5	60	60	88	437	508	10	6,2	41010.2000.05.0006.32	on request
50	53 x 1,5	80	70	111	491	574	12	10,4	41010.2000.05.0007.32	on request
65	70 x 2	100	80	132	568	665	16	16	41010.2000.05.0008.32	on request
80	85 x 2	125	90	172	636	744	18	24,7	41010.2000.05.0009.32	on request
100	104 x 2	150	100	172	648	784	23	28,6	41010.2000.05.0010.32	on request

PTFE bellows

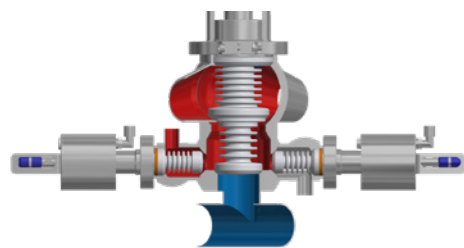
DN Inch	Dimension	A	B	ØD	H	L	Stroke(S)	kg	Reference Number	Price
1"	25,4 x 1,65	50	50	88	420	484	7	5,1	41010.2000.05.6024.32	on request
1 ½"	38,1 x 1,65	60	60	88	436	509	10	6,2	41010.2000.05.6026.32	on request
2"	50,8 x 1,65	80	70	111	490	573	12	10,4	41010.2000.05.6027.32	on request
2 ½"	63,5 x 1,65	100	80	132	567	657	16	15,2	41010.2000.05.6028.32	on request
3"	76,2 x 1,65	120	80	172	614	714	18	24,7	41010.2000.05.6029.32	on request
4"	101,6 x 2,11	150	90	172	642	767	23	28,6	41010.2000.05.6030.32	on request

In case of order, details to working conditions are required like media, viscosity, temperature, incoming and outgoing pressure resp. pressure loss and flow quantity.
 Weights without adapter and positioner.
 Plus surcharge for adapter and positioner 8692 or 8694 – see chapter control tops

Aseptic Mix Proof Valve N7

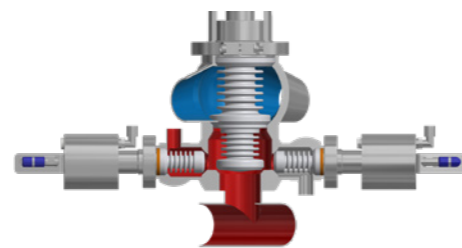
for pipes

L3 – pneumatic connector to control upper valve plate



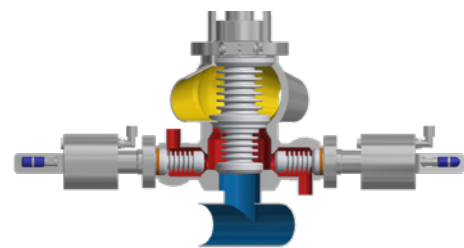
CIP-cleaning and SIP-sterilization of upper valve body including valve seat and leakage chamber; upper valve plate lifted each cycle.

L2 – pneumatic connector to control lower valve plate



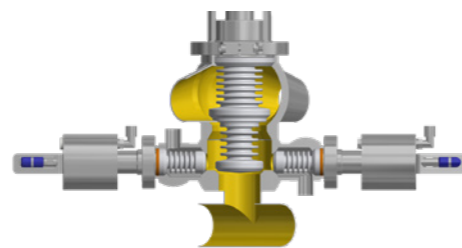
CIP-cleaning and SIP-sterilization of lower valve body including valve seat and leakage chamber; lower valve plate lifted each cycle.

CIP-cleaning and SIP-sterilization of the leakage chamber

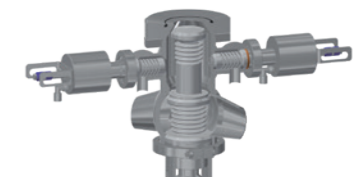
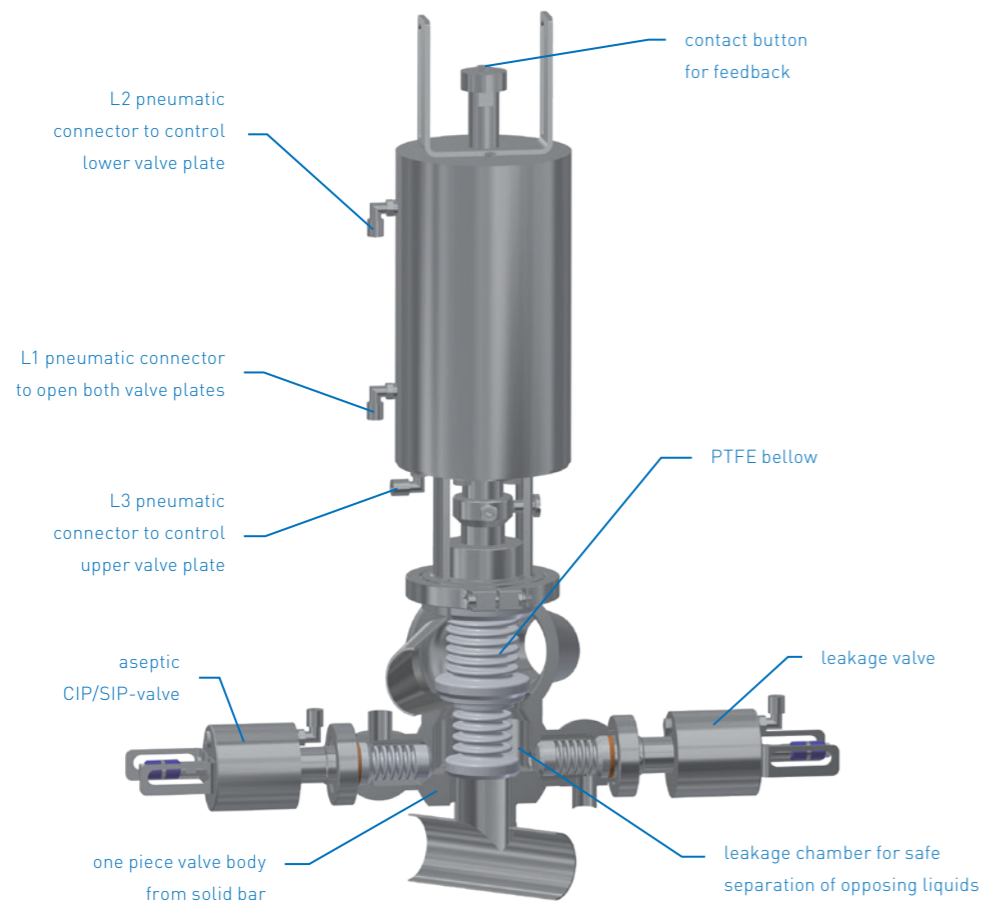


valve closed

L1 – pneumatic connector to open both valve plates



valve open



The **RIEGER Aseptic Mix Proof Valve N7** ensures the reliable separation of process lines for liquid products by means of the SIP capable leakage space as well in type „piping“ as in type „tank“. CIP/SIP valves control the steam inlet and outlet in the leakage space.

The outstanding aseptic properties are achieved by hermetic sealing from the environment. A temperature surveyance in the leakage chamber is available upon request. It is important to note, that the full spring force is applied as well in rest position as when rinsing the valve.

CONSTRUCTION OF THE VALVE

- / massive valve housing
- / no dead spaces
- / completely draining
- / many possible installation orientations

SERVICEABILITY

- / seal replacement without special tools
- / low downtime
- / screwed bellows
- / perfectly cleanable

EFFICIENCY

- / long life of the PTFE bellows
- / low maintenance costs
- / with brackets for proximity switches on main actuator

ABSOLUTE PRODUCT SAFETY

- / safe media separation by leakage space
- / controlled leakage chamber
- / both valve disks are liftable separately

MATERIAL

- / in contact with product 1.4404/AISI 316L
- / optional 1.4435/AISI 316L
- / not in contact with product 1.4301/AISI 304
- / all Valves are available in special alloys, such as Hastelloy® C-22, 1.4539/904L, 1.4529, AL-6XN® and others.

GASKETS

- / PTFE bellows PTFE TFM 1705
- / metal bellows 1.4571/1.4404
- / O-rings/gaskets EPDM or FKM (other materials on request)

TEMPERATURES

- / maximum continuous operation 130 °C* (EPDM) 121 °C* (PTFE)
- / steam sterilization 150 °C* (EPDM) 135 °C* short-time approx. 20 min (PTFE)

PRESSURE

- / closing pressure
- Type pipe max. 6 bar in the pipe
- Type tank max. 4 bar in the tank
- / air pressure min. 6 bar / max. 10 bar

SURFACES

- / in contact with product Ra ≤ 0,8 µm (32 µin) mechanically polished
- / not in contact with product Ra ≤ 1,6 µm (63 µin) mechanically polished
- / higher quality surface finishes and e-polishing available upon request

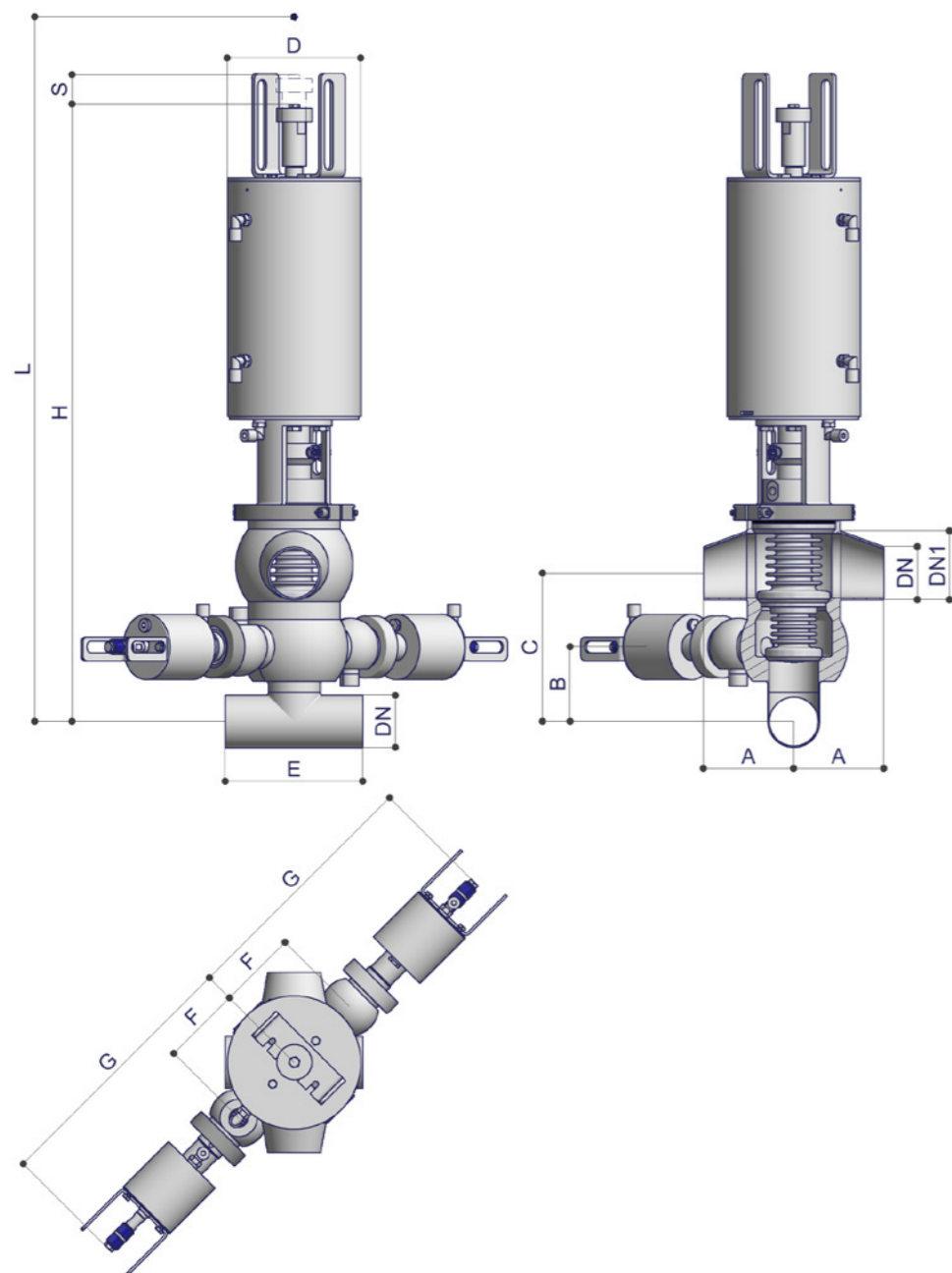
CONNECTIONS STANDARD-PIPE CLASSES

- / DIN 11850-R2 [DIN 11866-A]
- / O.D.-Tube [DIN 11866-C]
- / DIN EN ISO 1127 [DIN 11866-B]

* dependent upon operating conditions

Aseptic Mix Proof Valve N7 for Piping

Dimensions



DN DIN	DN1	A	B	C	ØD	E	F	G	H	L	Stroke(S)	kg
40 (41x1,5)	50	80	72	135	136	120	75	263	595	767	16	28
50 (53x1,5)	65	92	76	150	136	140	80	275	629	805	20	29
65 (70x2)	80	96	83	170	174	160	92	285	701	910	22	31
80 (85x2)	100	118	89	180	174	180	100	293	736	973	27	58
100 (104x2)	100	118	97,5	199	174	200	100	282	736	933	27	60

The basic information can be found in the chart on the left hand side. For other dimensions and versions of PTFE-bellows please review the page on the right hand side with corresponding pricing.

CIP-SIP valves with weld end DN 15 DIN (19 x 1,5)

Aseptic Mix Proof Valve N7 for Piping

pneumatic – air to open-spring to close NC

PTFE bellows

DN DIN	Reference Number	Price
40	30714.2527.05.0606.32	on request
50	30714.2528.05.0707.32	on request
65	30714.2529.05.0808.32	on request
80	30714.2521.05.0909.32	on request
100	30714.2522.05.1010.32	on request

On customer's request, the steam/leakage valves DN 15 DIN (19 x 1,5) are available with PTFE-bellows or with O-ring-sealing in the types „air to open/spring to close“ or „air to close/spring to open“.

Available versions of CIP valves in type „piping“

Steam Valve: token
 PTFE air to open-spring to close NC – alignment „upwards“ 5
 O-ring air to open-spring to close NC – alignment „upwards“ 7

Leakage Valve: token
 PTFE spring to open-air to close NO – alignment „downwards“ 2
 O-ring spring to open-air to close NO – alignment „downwards“ 4

PTFE bellows/metal cap/EPDM O-rings

DN DIN	Reference Number	Price
40	30714.2527.15.0606.32	on request
50	30714.2528.15.0707.32	on request
65	30714.2529.15.0808.32	on request
80	30714.2521.15.0909.32	on request
100	30714.2522.15.1010.32	on request

PTFE bellows/PEEK cap/EPDM O-rings

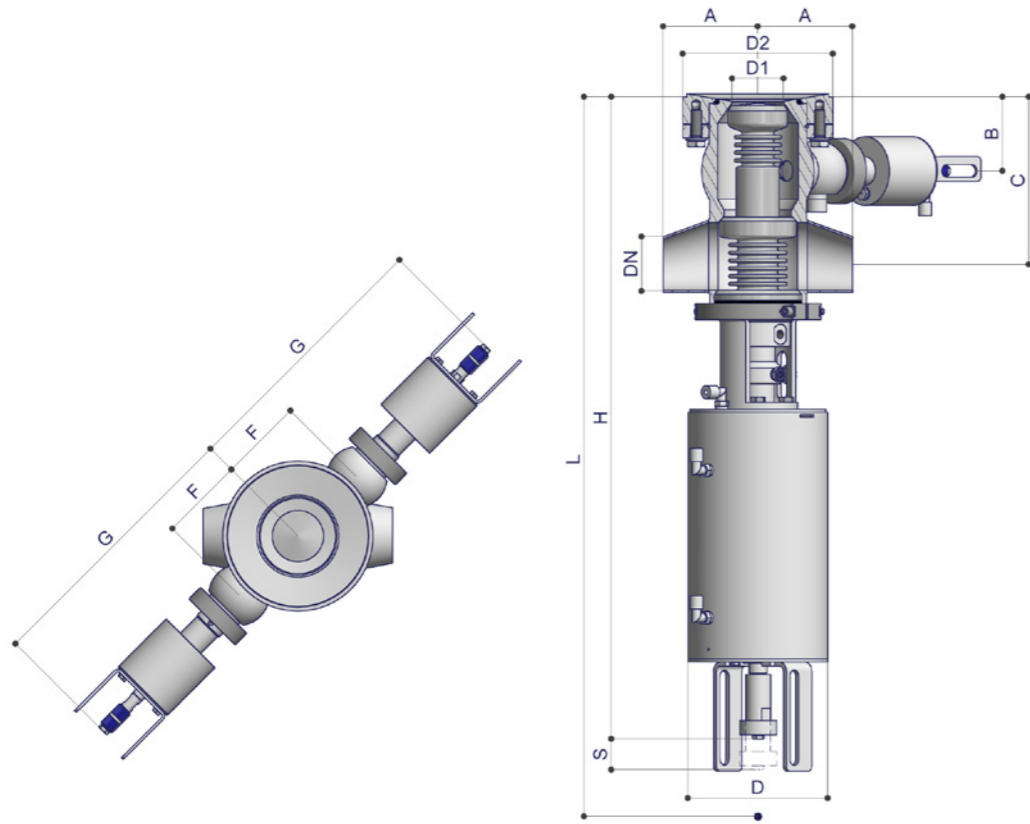
DN DIN	Reference Number	Price
40	30714.2527.95.0606.32	on request
50	30714.2528.95.0707.32	on request
65	30714.2529.95.0808.32	on request
80	30714.2521.95.0909.32	on request
100	30714.2522.95.1010.32	on request

metal bellows with EPDM-O-rings

DN DIN	Reference Number	Price
40	30714.3747.01.0606.32	on request
50	30714.3748.01.0707.32	on request
65	30714.3749.01.0808.32	on request
80	30714.3741.01.0909.32	on request
100	on request	on request

Aseptic Mix Proof Valve N7 as Bottom Seat Valve

Dimensions



DN DIN	Dimension	A	B	C	ØD	D1	D2	F	G	H	L	Stroke(S)	kg
40	41 x 1,5	80	70	153	136	38	133	75	268	600	825	11	28
50	53 x 1,5	92	72	163	136	50	146	81	274	656	853	15	29
65	70 x 2	96	75	179	174	66	173	92	285	733	950	17	31
80	85 x 2	118	77	188	174	81	196	100	293	764	1015	21	58

The basic information can be found in the chart on the left hand side. For other dimensions please review the page on the right hand side with corresponding pricing.

Suitable for maximum product pressure of 4 bar

Aseptic Mix Proof Valve N7 as Bottom Seat Valve

pneumatic – air to open-spring to close NC

Upon customer's request, the steam/leakage valves DN 15 DIN (19 x 1,5) are available with PTFE-bellows or with O-ring-sealing in the types „air to open/spring to close NC“ or „spring to open/air to close NO“.

Available versions of CIP valves in type „tank“

Valve Type	Configuration	Alignment	Token
Steam Valve:	PTFE – air to open-spring to close NC	„downwards“	1
	O-Ring- air to open-spring to close NC	„downwards“	3
	Leakage Valve:		
Leakage Valve:	PTFE – spring to open-air to close NO	„downwards“	2
	O-ring – spring to open-air to close NO	„downwards“	4

PTFE bellows

DN DIN	Reference Number	Price
40	30712.2127.05.0606.32	on request
50	30712.2128.05.0707.32	on request
65	30712.2129.05.0808.32	on request
80	30712.2121.05.0909.32	on request

/ Valve prices are meant without weld-in flange

Weld-in flange

DN DIN	Reference Number	Price
40	30710.0000.01.0006.31	on request
50	30710.0000.01.0007.31	on request
65	30710.0000.01.0008.31	on request
80	30710.0000.01.0008.31	on request

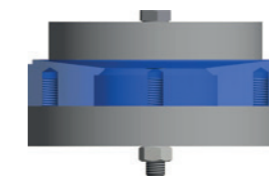
/ with EPDM O-ring and screws
/ Weld-in flanges are not discountable

Weld-in Devices for Weld-in Flanges

for N7 as Bottom Seat Valve

PTFE bellows

DN DIN	Reference Number	Price
40	5006911	on request
50	5004585	on request
65	5007336	on request
80	on request	on request

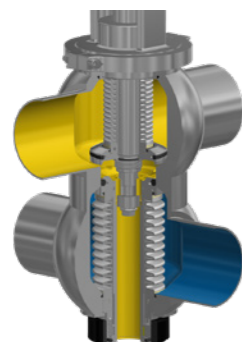


/ Material: Aluminium
/ for protection of valve seat
/ almost indefinitely reusable if used properly
/ more details on request
/ not discountable

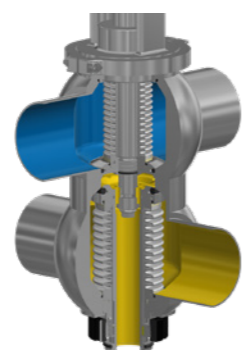
Aseptic Mix Proof Valve N13

Cleaning process

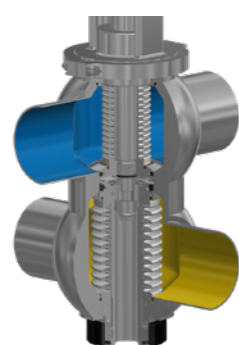
cleaning of upper valve body



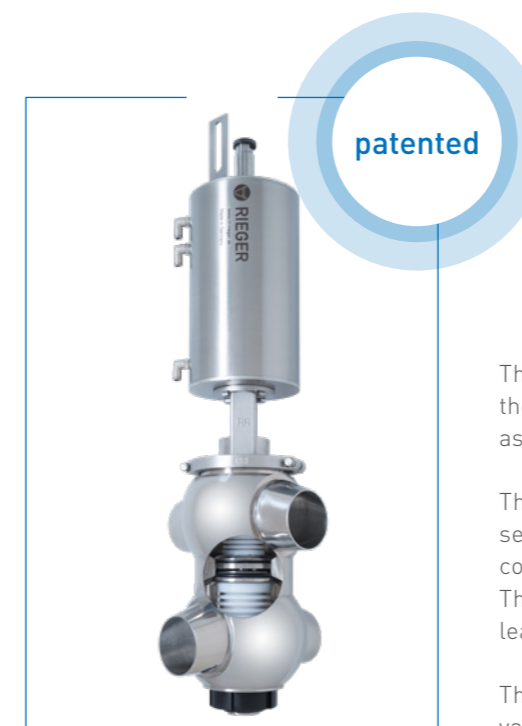
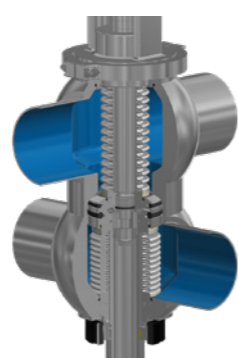
cleaning of lower valve body



valve position „closed“



valve position „open“



The **RIEGER Aseptic Mix Proof Valve N13** combines the advantages of the hygienic mix proof valve N1 proven of long standing with those of the aseptic process valve N7.

The bellows hermetically seal against the environment. The double valve seat separates both process lines so that the mixing of two liquids is completely prevented. The new construction of the bellows renounces of CIP-valves and a leakage chamber and so allows a very dense valve.

The lower as well as the upper valve disk may be lifted separately. The valve may be cleaned and sterilized in "open" and in "closed"-position.

CONSTRUCTION OF THE VALVE

- / one-piece valve body from solid bar
- / absolutely dead space free - completely draining
- / less seams in product area
- / leakage-free liftable

ABSOLUTE PRODUCT SAFETY

- / against mixing of cleaning agent with product by means of double valve seat
- / locking mechanism
- / rinsable and sterilizable
- / **vacuum-safe**

SERVICEABILITY

- / Actuator can be dismantled upwards completely in one piece.

EFFICIENCY

- / long life of the PTFE-bellows
- / lows maintenance costs

MATERIAL

- / in contact with product 1.4404/AISI 316L
- / optional 1.4435/AISI 316L
- / not in contact with product 1.4301/AISI 304
- / all Valves are available in special alloys, such as Hastelloy® C-22, 1.4539/904L, 1.4529, AL-6XN® and others.

GASKETS

- / PTFE bellows PTFE TFM 1705
- / metal bellows 1.4571/1.4404
- / O-rings/gaskets EPDM or FKM (other materials on request)

TEMPERATURES

- / maximum continuous operation 121 °C* (PTFE bellow with EPDM O-Rings)
- / steam sterilization 135 °C* short-time approx. 20 min (PTFE bellow with EPDM O-Rings)

PRESSURE

- / closing pressure 6 bar standard
- / air pressure min. 6 bar / max. 10 bar

SURFACES

- / in contact with product Ra ≤ 0,8 µm (32 µin) mechanically polished
- / not in contact with product Ra ≤ 1,6 µm (63 µin) mechanically polished
- / higher quality surface finishes and e-polishing available upon request

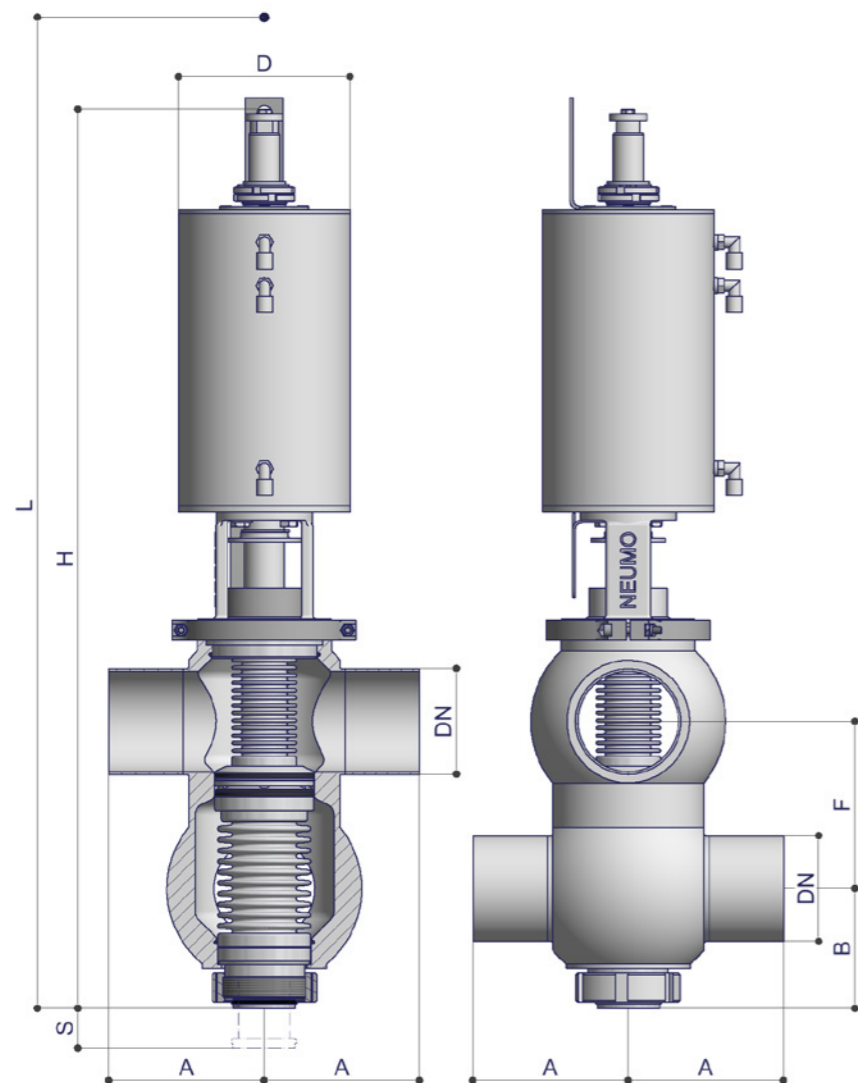
CONNECTIONS STANDARD-PIPE CLASSES

- / DIN 11850-R2 (DIN 11866-A)
- / O.D.-Tube (DIN 11866-C)
- / DIN EN ISO 1127 (DIN 11866-B)

* dependent upon operating conditions

Aseptic Mix Proof Valve N13.04

pneumatic – air to open-spring to close NC



PTFE bellows											
DN DIN	Dimension	A	B	ØD	F	H	L	Stroke(S)	kg	Reference Number	Price
40	41 x 1,5	183	72	138	146	712	1014	32	35	31302.2408.01.0606.32	on request
50	53 x 1,5	150	81	138	145,5	715	1020	32	36	31302.2409.01.0707.32	on request
65	70 x 2	106	89	138	134,5	715	1020	32	36	31302.2409.01.0808.32	on request
80	85 x 2	125	96,5	138	145,5	724	1030	32	36	31302.2409.01.0909.32	on request
100	104 x 2	150	106,5	174	137	781	1096	32	50	31302.2401.01.1010.32	on request

For DN 50 – DN 80: Valve body DN 80
 DN 50 and DN 65 with excentrical reducers DN 80/DN 50 resp. DN 80/DN 65

Gasket Kits for Aseptic Right Angle Valves Type L, Double Right Angle Valves Type T, Cross Valves and Sampling/Straight-way Valves

DN DIN	PTFE bellows		metal bellows		EPDM O-Rings for metal bellows	
	Reference Number	Price	Reference Number	Price	Reference Number	Price
10-15	5004740	on request	-		-	
20	5001854	on request	-		-	
25	5001165	on request	5001434	on request	5001803	on request
40	5001213	on request	5001806	on request	5001808	on request
50	5001327	on request	5001436	on request	5000016	on request
65	5001211	on request	5001438	on request	5001805	on request
80	5001209	on request	5002077	on request	5002079	on request
100	5001220	on request	5002012	on request	5002014	on request

PTFE bellows		
DN Inch Type EV	Reference Number	Price
1"	5007636	on request
1 ½"	5007712	on request
2"	5007480	on request
2 ½"	5007714	on request
3"	5007475	on request
4"	5007635	on request

PTFE bellows
 / with silicon O-Ring behind bellow
 / non product touched

metal bellows
 / with EPDM O-Rings

Gasket Kits for Change Over Valves

PTFE bellows with EPDM-O-Rings		
DN DIN	Reference Number	Price
25	5005128	on request
40	5003355	on request
50	5001266	on request
65	5001440	on request
80	5001371	on request
100	5001369	on request

PTFE bellows with EPDM-O-Rings		
DN Inch	Reference Number	Price
1"	5008384	on request
1 ½"	5008386	on request
2"	5008387	on request
2 ½"	5008388	on request
3"	5008389	on request
4"	5008390	on request

/ with silicon O-Ring behind bellow
 / non product touched

Gasket Kits for Bottom Seat and Inclined Seat Valves

PTFE bellows

DN DIN/Inch	Bottom Seat Valves		Inclined Seat Valves	
	Reference Number	Price	Reference Number	Price
10	5002375	on request	see chapter BioCheck Valves	
15	5002375	on request	5001878	on request
20	5002375	on request	5001878	on request
25/1"	5001718	on request	5004307	on request
40/1 1/2"	5001720	on request	5004308	on request
50/2"	5001626	on request	5005696	on request
65/2 1/2"	5001974	on request	5004610	on request
80/3"	5003685	on request	5005566	on request
100/4"	5005697	on request	5005129	on request

/ with Silicone O-ring behind bellows
/ not in contact with product
/ with EPDM O-rings for Weld-in Flanges

O-Ring for Weld-in Flange for Bottom Seat Valve

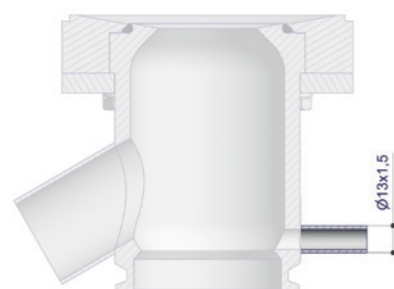
EPDM

DN DIN	Dimension	Reference Number	Price
10-20	34 x 3	1001205	on request
25	50 x 5	1001206	on request
40	58 x 5	1000115	on request
50	72 x 5	1001208	on request
65	90 x 5	1001491	on request
80	100 x 5	1000812	on request
100	130 x 5	1001401	on request

/ other sealing materials on request

Rinsing Port for bottom seat valves

for all sizes



Ø13 mm x 1,5 mm

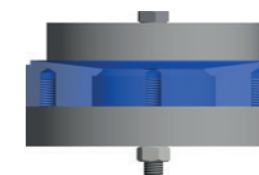
Reference Number	Price
9000000003899	on request

/ other rinsing inlet sizes and materials on request
/ Material: 1.4404

Weld-in Devices for Weld-in Flanges

for bottom seat valves

DN DIN	DN ISO	kg	Reference Number	Price
10-20	10-15	0,7	5005332	on request
25	20	1,0	5005615	on request
40	32	1,3	5005616	on request
50	40-50	3,5	5005617	on request
65	65	4,5	5005618	on request
80	80	5,1	5005516	on request
100	100	6,8	5005614	on request

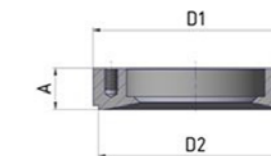


/ Material: Aluminium
/ for protection of valve seat
/ almost indefinitely reusable if used properly
/ more details on request
/ not discountable

Weld-in Flanges

for bottom seat valve – with EPDM O-ring

DN DIN	DN ISO	D1	D2	A	kg	Reference Number	Price
10 – 20	10-15	75	68	16,5	1,0	40700.0000.01.0003.31	on request
25	20	108	100	23	1,6	40700.0000.01.0004.31	on request
40	32	133	125	29	1,8	40700.0000.01.0006.31	on request
50	40-50	146	138	29	2,2	40700.0000.01.0007.31	on request
65	65	173	165	30	3,0	40700.0000.01.0008.31	on request
80	80	186	176	33,5	3,4	40700.0000.01.0009.31	on request
100	100	217	209	34	4,5	40700.0000.01.0010.31	on request

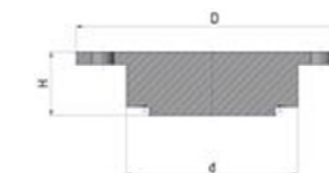


/ Material: 1.4404
/ for tank wall thickness 3 mm
/ for other wall thickness on request

Blind Flanges (= Counter Parts to Weld-in Flanges)

for bottom seat valve – with EPDM O-ring

DN DIN	DN ISO	D	d	H	kg	Reference Number	Price
10 – 20	10-15	75	50	20,9	0,9	5004640	on request
25	20	108	71	25,8	1,5	5004620	on request
40	32	133	84	30,6	1,7	5003009	on request
50	40-50	146	98	30,6	2,1	5003005	on request
65	65	173	119	31,1	2,8	5003006	on request
80	80	186	138	35	3,2	5003007	on request
100	100	217	167	35	4,2	5003008	on request

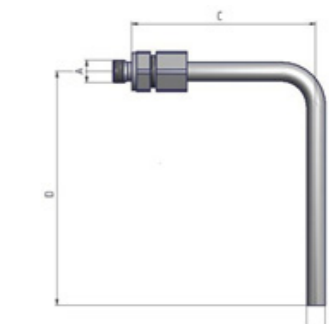


/ Material: 1.4404
/ not discountable

Leakage Drain

for leakage ports

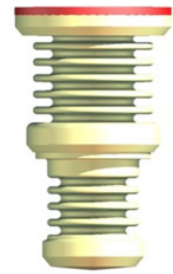
A (Inch)	B	C	D	Reference Number	Price
1/8"	8 x 1	78,5	100	5030018	on request



/ not discountable

Gasket Kits for Aseptic Mix Proof Valves N7

for type „piping”



PTFE bellows		
DN	Reference Number	Price
40	5001729	on request
50	5001731	on request
65	5002672	on request
80	5004387	on request
100	5005122	on request

/ Silicone O-ring behind bellows non product contact – included in price

Gasket Kits for Aseptic Mix Proof Valves N7

for type “tank”

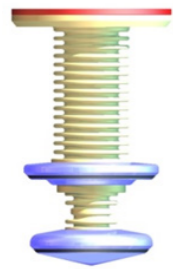


PTFE bellows		
DN	Reference Number	Price
40	5004865	on request
50	5001587	on request
65	5004973	on request
80	5005126	on request

/ Silicone O-ring behind bellows non product contact – included in price

Gasket Kits for Aseptic Mix Proof Valves N7

for type „piping”



PTFE bellows/PEEK-cap/EPDM O-rings		
DN	Reference Number	Price
40	5005121	on request
50	5007425	on request
65	5005117	on request
80	5005119	on request
100	5005118	on request

/ Silicone O-ring behind bellows non product contact – included in price

Gasket Kits for Aseptic Mix Proof Valve N7

for aseptic CIP/SIP valve DN 15



Seal kits product side		
Material	Reference Number	Price
PTFE	5001591	on request

/ Silicone O-ring behind bellows non product contact – included in price

Gasket Kits for Aseptic Mix Proof Valves N7

for type „piping”



PTFE bellows/PEEK-cap/EPDM O-rings		
DN	Reference Number	Price
40	5006983	on request
50	5006984	on request
65	5006985	on request
80	5006986	on request

/ Silicone O-ring behind bellows non product contact – included in price

Gasket Kits for Aseptic Mix Proof Valve N7

for hygienic CIP/SIP valve DN 15



Seal kits product side		
Material	Reference Number	Price
EPDM	5001589	on request
FKM	5005127	on request

Set: 3 pieces

Gasket Kits for Aseptic Mix Proof Valves N7

for type „piping”



metal bellows with EPDM O-rings		
DN	Reference Number	Price
40	5005125	on request
50	5005124	on request
65	5005123	on request
80	5004388	on request

Gasket Kits

product side PTFE bellows with EPDM O-rings

DN DIN	Reference Number	Price
40	on request	
50-80	5008296	on request
100	on request	