

CHAPTER 7 OVERFLOW AND BACKPRESSURE VALVES

Page 7.4 Overflow Valves ÜS4 – without lever

Page 7.10 Overflow Valves ÜS4 – with lever

Page 7.15 Spare Parts ÜS

Page 7.15 Overview of pressure ranges per nominal width

Page 7.17 Bunging Valves SP14

Page 7.19 Overflow Valves E8

Page 7.23 Overflow Valves E8 3-A Standard

Page 7.24 Spare Parts E8

Page 7.25 Adjustment range for E8

Page 7.27 Overflow Valves ER

Page 7.30 Backpressure Valve

Page 7.31 KV-Value table for Backpressure Valve



RIEGER Overflow valves type ÜS open when the set pressure is reached and so prevent undue over pressures in pipes. They are NO safety valves. For this purpose, we recommend our TÜV approved safety valves type SH.

Overflow valves type ÜS are available with weld-on ends and with fittings and clamps. An additional lever allows lifting by hand. They are suitable for liquids, steam and gas.

The available set range is achieved by means of different pressuresprings, which each of them covers the lower or upper pressure range area.

CONSTRUCTION OF THE VALVE

- / massive valve housing
- / no dead spaces
- / completely draining
- / many possible installation orientations

SAFETY

- / clamp union between housing and actuator
- / optimum cleanability

EFFICIENCY

- / standard seals

ABSOLUTE PRODUCT SAFETY

- / high-grade inner surfaces
- / no dome, no sump

MATERIAL / in contact with product 1.4404/AISI 316L
 / optional 1.4435/AISI 316L
 / not in contact with product 1.4301/AISI 304
 / all Valves are available in special alloys, such as Hastelloy® C-22, 1.4539/904L, 1.4529, AL-6XN® and others.

GASKETS / O-rings/gaskets EPDM or FKM (other materials on request)

TEMPERATURES / maximum continuous operation 130 °C* (EPDM)
 / steam sterilization 150 °C* (EPDM)

PRESSURE / closing pressure 6 bar standard, 10 bar and higher pressures available upon request
 / air pressure min. 6 bar / max. 10 bar

SET RANGE / 0,5 - 6 bar (higher pressures on request)
 In order set pressure point is requested, pressure spring is chosen accordingly

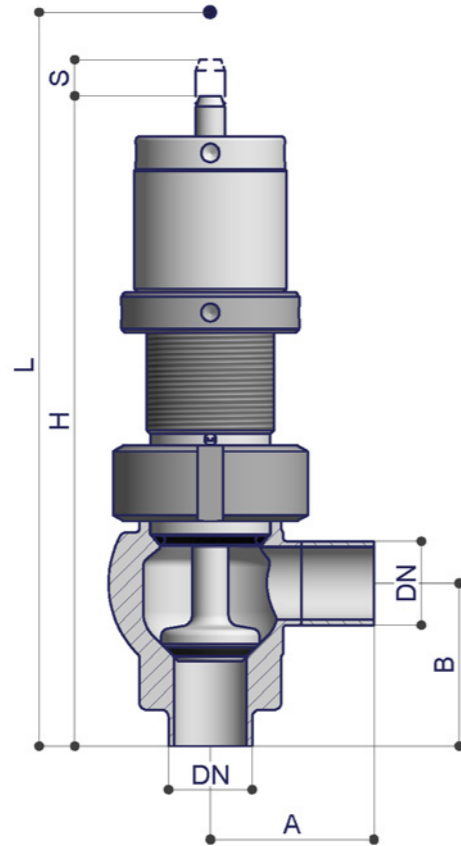
SET PRESSURE RANGE OF PRESSURE SPRING / according to customer's request in lower or upper pressure range

SURFACES / in contact with product Ra ≤ 0,8 µm (32 µin) mechanically polished
 / not in contact with product Ra ≤ 1,6 µm (63 µin) mechanically polished
 / higher quality surface finishes and e-polishing available upon request

CONNECTIONS / DIN 11850-R2 (DIN 11866-A)
 / O.D.-Tube (DIN 11866-C)
 / Clamp ferrules in DIN and Inch

* dependent upon operating conditions

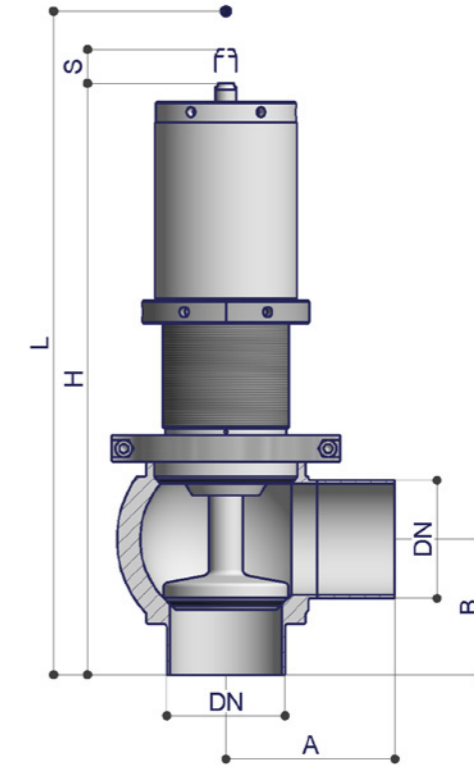
Overflow Valve ÜS4.01.001 – without lever
adjustable by hand – with weld ends



DN DIN	Dimension	EPDM						FKM			
		A	B	H	L	max. Hub S	kg	Reference Number	Price	Reference Number	Price
10	13 x 1,5	35	35	164	209	5	1,1	40910.1000.01.0001.32	on request	40910.1000.03.0001.32	on request
15	19 x 1,5	40	40	172	217	5	1,2	40910.1000.01.0002.32	on request	40910.1000.03.0002.32	on request
20	23 x 1,5	45	45	180	234	5	1,2	40910.1000.01.0003.32	on request	40910.1000.03.0003.32	on request

DN Inch	Dimension	EPDM						FKM			
		A	B	H	L	max. Hub S	kg	Reference Number	Price	Reference Number	Price
½"	12,7 x 1,65	35	35	165	210	5	1,1	40910.1000.01.0022.32	on request	40910.1000.01.0022.32	on request
¾"	19,05 x 1,65	40	40	172	217	5	1,2	40910.1000.01.0023.32	on request	40910.1000.01.0023.32	on request

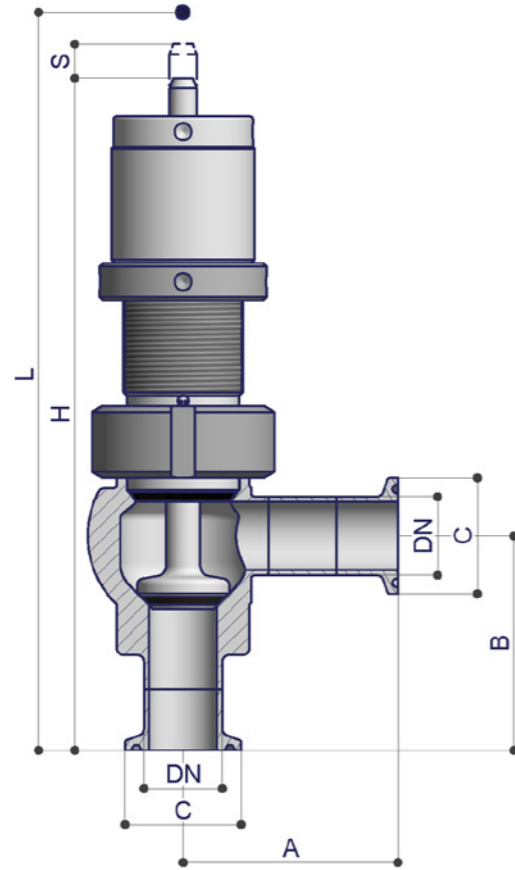
Overflow Valve ÜS4.01.001 – without lever
adjustable by hand – with weld ends



DN DIN	Dimension	EPDM						FKM			
		A	B	H	L	max. Hub S	kg	Reference Number	Price	Reference Number	Price
25	29 x 1,5	50	50	216	253	5	2,9	40910.1000.01.0004.32	on request	40910.1000.03.0004.32	on request
40	41 x 1,5	60	60	233	301	5	3,7	40910.1000.01.0006.32	on request	40910.1000.03.0006.32	on request
50	53 x 1,5	80	70	298	378	5	4,7	40910.1000.01.0007.32	on request	40910.1000.03.0007.32	on request
65	70 x 2	100	80	350	445	5	9,6	40910.1000.01.0008.32	on request	40910.1000.03.0008.32	on request
80	85 x 2	125	90	388	502	5	13	40910.1000.01.0009.32	on request	40910.1000.03.0009.32	on request
100	104 x 2	150	100	408	539	5	16,4	40910.1000.01.0010.32	on request	40910.1000.03.0010.32	on request

DN Inch	Dimension	EPDM						FKM			
		A	B	H	L	max. Hub S	kg	Reference Number	Price	Reference Number	Price
1"	25,4 x 1,65	50	50	214	272	5	2,9	40910.1000.01.0024.32	on request	40910.1000.03.0024.32	on request
1 ½"	38,1 x 1,65	60	60	230	300	5	3,7	40910.1000.01.0026.32	on request	40910.1000.03.0026.32	on request
2"	50,8 x 1,65	80	70	297	376	5	5,1	40910.1000.01.0027.32	on request	40910.1000.03.0027.32	on request
2 ½"	63,5 x 1,65	100	80	348	435	5	9,5	40910.1000.01.0028.32	on request	40910.1000.03.0028.32	on request
3"	76,2 x 1,65	120	80	377	477	5	13,9	40910.1000.01.0029.32	on request	40910.1000.03.0029.32	on request
4"	101,6 x 2,11	150	90	398	529	5	17,2	40910.1000.01.0030.32	on request	40910.1000.03.0030.32	on request

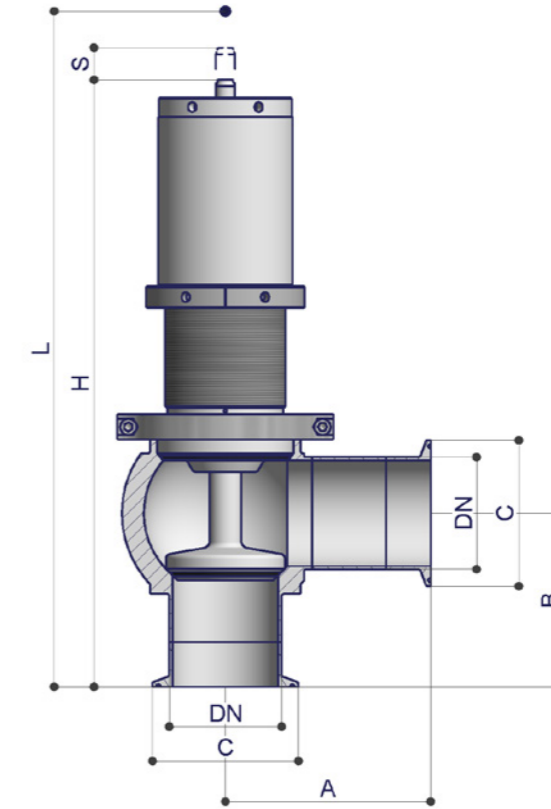
Overflow Valve ÜS4.01.044 – without lever
adjustable by hand – with Clamp ferrules



DN DIN	Dimension	EPDM							FKM			
		A	B	C (Ø)	H	L	max. Hub S	kg	Reference Number	Price	Reference Number	Price
10	13 x 1,5	52,5	52,5	34	182	227	5	1,5	40910.1440.01.0001.32	on request	40910.1440.03.0001.32	on request
15	19 x 1,5	58	58	34	190	235	5	1,6	40910.1440.01.0002.32	on request	40910.1440.03.0002.32	on request
20	23 x 1,5	63	63	34	198	252	5	1,6	40910.1440.01.0003.32	on request	40910.1440.03.0003.32	on request

DN Inch	Dimension	EPDM							FKM			
		A	B	C (Ø)	H	L	max. Hub S	kg	Reference Number	Price	Reference Number	Price
½"	12,7 x 1,65	47	47	25	177	222	5	1,5	40910.1440.01.0022.32	on request	40910.1440.03.0022.32	on request
¾"	19,05 x 1,65	52	52	25	184	229	5	1,6	40910.1440.01.0023.32	on request	40910.1440.03.0023.32	on request

Overflow Valve ÜS4.01.044 – without lever
adjustable by hand – with Clamp ferrules

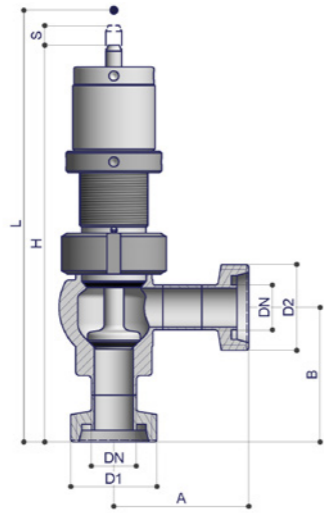


DN DIN	Dimension	EPDM							FKM			
		A	B	C (Ø)	H	L	max. Hub S	kg	Reference Number	Price	Reference Number	Price
25	29 x 1,5	71	71	50,5	237	295	5	3,0	40910.1440.01.0004.32	on request	40910.1440.03.0004.32	on request
40	41 x 1,5	81	81	50,5	254	322	5	3,9	40910.1440.01.0006.32	on request	40910.1440.03.0006.32	on request
50	53 x 1,5	101	91	64	319	399	5	4,9	40910.1440.01.0007.32	on request	40910.1440.03.0007.32	on request
65	70 x 2	128	108	91	378	474	5	9,8	40910.1440.01.0008.32	on request	40910.1440.03.0008.32	on request
80	85 x 2	153	118	106	416	530	5	13,2	40910.1440.01.0009.32	on request	40910.1440.03.0009.32	on request
100	104 x 2	178	128	119	436	567	5	16,9	40910.1440.01.0010.32	on request	40910.1440.03.0010.32	on request

DN Inch	Dimension	EPDM							FKM			
		A	B	C (Ø)	H	L	max. Hub S	kg	Reference Number	Price	Reference Number	Price
1"	25,4x1,65	62	62	50,5	226	284	5	3,1	40910.1440.01.0024.32	on request	40910.1440.03.0024.32	on request
1 ½"	38,1x1,65	72	72	50,5	242	312	5	4,0	40910.1440.01.0026.32	on request	40910.1440.03.0026.32	on request
2"	50,8x1,65	92	82	64	309	388	5	5,4	40910.1440.01.0027.32	on request	40910.1440.03.0027.32	on request
2 ½"	63,5x1,65	112	92	77,5	360	447	5	9,8	40910.1440.01.0028.32	on request	40910.1440.03.0028.32	on request
3"	76,2x1,65	132	92	91	389	489	5	14,2	40910.1440.01.0029.32	on request	40910.1440.03.0029.32	on request
4"	101,6x2,11	165,5	105,5	119	414	545	5	17,5	40910.1440.01.0030.32	on request	40910.1440.03.0030.32	on request

Overflow Valve ÜS4.01.022 – without lever

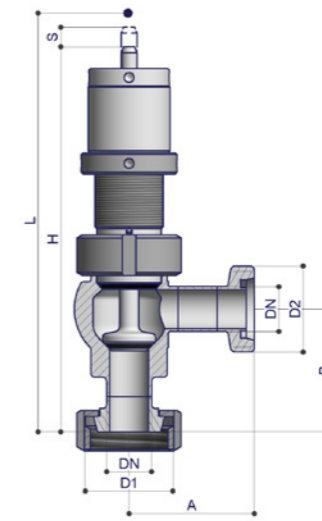
adjustable by hand – with male ends



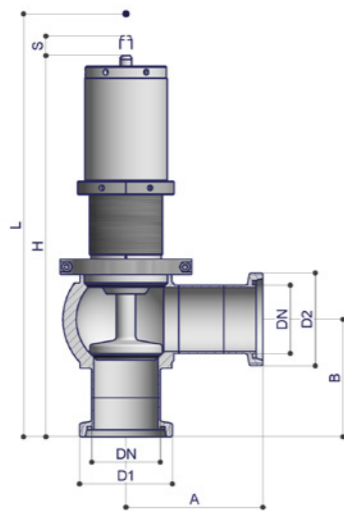
DN	D1/D2 Knuckle Thread	A	B	H	L	max. Hub S	kg	EPDM		FKM	
								Reference Number	Price	Reference Number	Price
10	Rd 28 x 1/8"	56	56	185	230	5	1,2	40910.1220.01.0001.32	on request	40910.1220.03.0001.32	on request
15	Rd 34 x 1/8"	61	61	193	238	5	1,3	40910.1220.01.0002.32	on request	40910.1220.03.0002.32	on request
20	Rd 44 x 1/6"	69	69	204	258	5	1,4	40910.1220.01.0003.32	on request	40910.1220.03.0003.32	on request

Overflow Valve ÜS4.01.032 – without lever

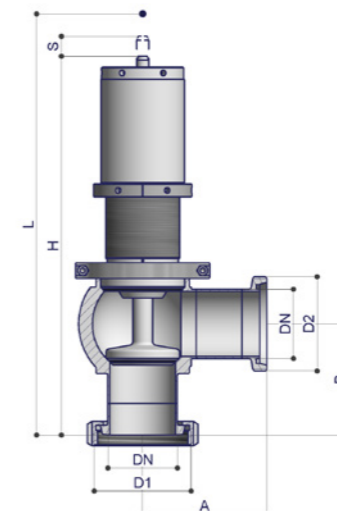
adjustable by hand – inlet liner/nut – outlet male end



DN	D1/D2 Knuckle Thread	A	B	H	L	max. Hub S	kg	EPDM		FKM	
								Reference Number	Price	Reference Number	Price
10	Rd 28 x 1/8"	52	52	181	226	5	1,3	40910.1320.01.0001.32	on request	40910.1320.03.0001.32	on request
15	Rd 34 x 1/8"	57	57	189	234	5	1,4	40910.1320.01.0002.32	on request	40910.1320.03.0002.32	on request
20	Rd 44 x 1/6"	64	63	198	252	5	1,5	40910.1320.01.0003.32	on request	40910.1320.03.0003.32	on request



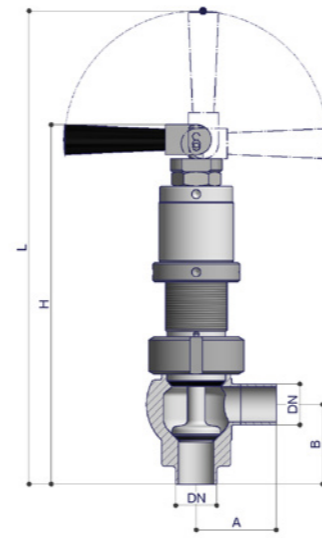
DN	D1/D2 Knuckle Thread	A	B	H	L	max. Hub S	kg	EPDM		FKM	
								Reference Number	Price	Reference Number	Price
25	Rd 52 x 1/6"	79	79	245	282	5	3,1	40910.1220.01.0004.32	on request	40910.1220.03.0004.32	on request
40	Rd 65 x 1/6"	93	93	266	334	5	4,2	40910.1220.01.0006.32	on request	40910.1220.03.0006.32	on request
50	Rd 78 x 1/6"	115	105	333	413	5	5,3	40910.1220.01.0007.32	on request	40910.1220.03.0007.32	on request
65	Rd 95 x 1/6"	140	120	390	486	5	10,5	40910.1220.01.0008.32	on request	40910.1220.03.0008.32	on request
80	Rd 110 x 1/4"	170	135	433	547	5	14,5	40910.1220.01.0009.32	on request	40910.1220.03.0009.32	on request
100	Rd 130 x 1/4"	204	154	461	592	5	18,4	40910.1220.01.0010.32	on request	40910.1220.03.0010.32	on request



DN	D1/D2 Knuckle Thread	A	B	H	L	max. Hub S	kg	EPDM		FKM	
								Reference Number	Price	Reference Number	Price
25	Rd 52 x 1/6"	72	72	238	275	5	3,2	40910.1320.01.0004.32	on request	40910.1320.03.0004.32	on request
40	Rd 65 x 1/6"	83	86	259	327	5	4,5	40910.1320.01.0006.32	on request	40910.1320.03.0006.32	on request
50	Rd 78 x 1/6"	103	98	326	406	5	5,5	40910.1320.01.0007.32	on request	40910.1320.03.0007.32	on request
65	Rd 95 x 1/6"	125	112	382	478	5	11	40910.1320.01.0008.32	on request	40910.1320.03.0008.32	on request
80	Rd 110 x 1/4"	150	127	425	539	5	15,1	40910.1320.01.0009.32	on request	40910.1320.03.0009.32	on request
100	Rd 130 x 1/4"	180	144	452	583	5	19	40910.1320.01.0010.32	on request	40910.1320.03.0010.32	on request

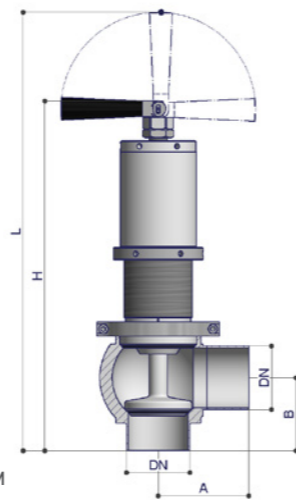
Overflow Valve ÜS4.01.100 – with lever

adjustable by hand, with lever for cleaning – with weld ends



DN DIN	Dimension	EPDM					FKM				
		A	B	H	L	kg	Reference Number	Price	Reference Number	Price	
10	13 x 1,5	35	35	188	252	1,4	40914.1000.01.0001.32	on request	40914.1000.03.0001.32	on request	
15	19 x 1,5	40	40	196	260	1,5	40914.1000.01.0002.32	on request	40914.1000.03.0002.32	on request	
20	23 x 1,5	45	45	203	267	1,5	40914.1000.01.0003.32	on request	40914.1000.03.0003.32	on request	

DN Inch	Dimension	A	B	H	L	kg	Reference Number	Price	Reference Number	Price
½"	12,7 x 1,65	35	35	188	252	1,4	40914.1000.01.0022.32	on request	40914.1000.03.0022.32	on request
¾"	19,05 x 1,65	40	40	196	260	1,5	40914.1000.01.0023.32	on request	40914.1000.03.0023.32	on request

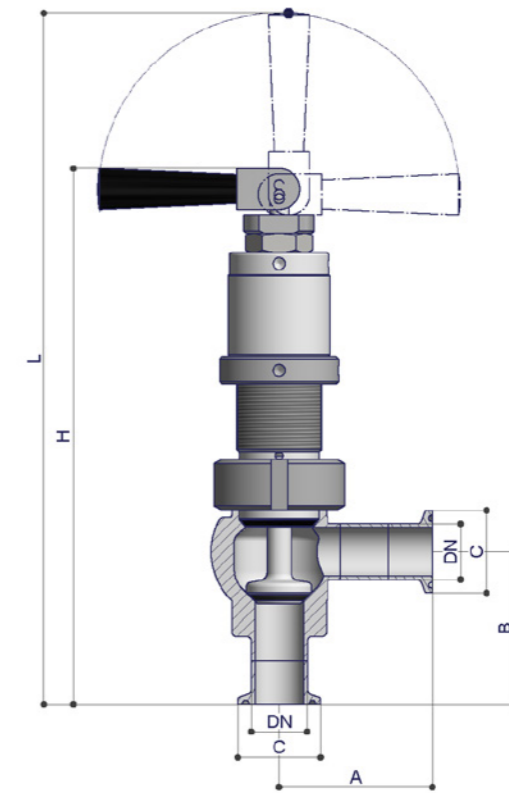


DN DIN	Dimension	EPDM					FKM				
		A	B	H	L	kg	Reference Number	Price	Reference Number	Price	
25	29 x 1,5	50	50	245	306	3,2	40914.1000.01.0004.32	on request	40914.1000.03.0004.32	on request	
40	41 x 1,5	60	60	262	324	4,0	40914.1000.01.0006.32	on request	40914.1000.03.0006.32	on request	
50	53 x 1,5	80	70	323	386	5,0	40914.1000.01.0007.32	on request	40914.1000.03.0007.32	on request	
65	70 x 2	100	80	391	478	10,3	40914.1000.01.0008.32	on request	40914.1000.03.0008.32	on request	
80	85 x 2	125	90	428	558	13,8	40914.1000.01.0009.32	on request	40914.1000.03.0009.32	on request	
100	104 x 2	150	100	448	584	17,3	40914.1000.01.0010.32	on request	40914.1000.03.0010.32	on request	

DN Inch	Dimension	A	B	H	L	kg	Reference Number	Price	Reference Number	Price
1"	25,4 x 1,65	50	50	244	304	3,2	40914.1000.01.0024.32	on request	40914.1000.03.0024.32	on request
1 ½"	38,1 x 1,65	60	60	259	321	4,0	40914.1000.01.0026.32	on request	40914.1000.03.0026.32	on request
2"	50,8 x 1,65	80	70	322	384	5,4	40914.1000.01.0027.32	on request	40914.1000.03.0027.32	on request
2 ½"	63,5 x 1,65	100	80	388	475	10,5	40914.1000.01.0028.32	on request	40914.1000.03.0028.32	on request
3"	76,2 x 1,65	120	80	417	545	13,6	40914.1000.01.0029.32	on request	40914.1000.03.0029.32	on request
4"	101,6 x 2,11	150	90	442	570	17,5	40914.1000.01.0030.32	on request	40914.1000.03.0030.32	on request

Overflow Valve ÜS4.01.144 – with lever

adjustable by hand, with lever for cleaning – with clamp ferrules

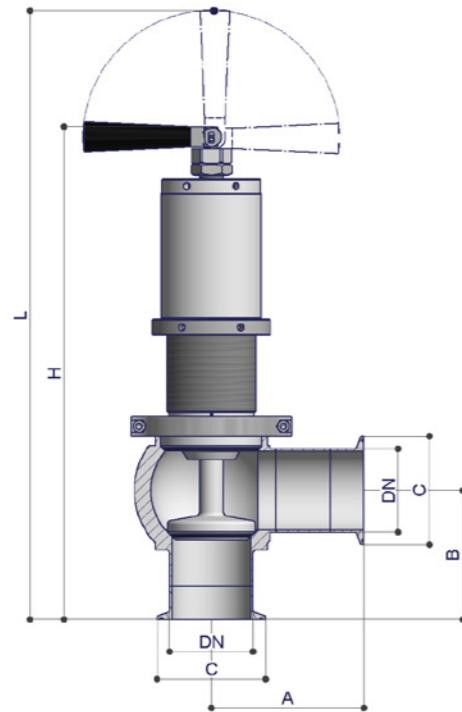


DN DIN	Dimension	EPDM					FKM				
		A	B	C(Ø)	H	L	kg	Reference Number	Price	Reference Number	Price
10	13 x 1,5	52,5	52,5	34	206	270	1,5	40914.1440.01.0001.32	on request	40914.1440.03.0001.32	on request
15	19 x 1,5	58	58	34	214	278	1,6	40914.1440.01.0002.32	on request	40914.1440.03.0002.32	on request
20	23 x 1,5	63	63	34	221	285	1,6	40914.1440.01.0003.32	on request	40914.1440.03.0003.32	on request

DN Inch	Dimension	EPDM					FKM				
		A	B	C(Ø)	H	L	kg	Reference Number	Price	Reference Number	Price
½"	12,7 x 1,65	47	47	25	200	264	1,5	40914.1440.01.0022.32	on request	40914.1440.03.0022.32	on request
¾"	19,05 x 1,65	52	52	25	208	272	1,6	40914.1440.01.0023.32	on request	40914.1440.03.0023.32	on request

Overflow Valve ÜS4.01.144 – with lever

adjustable by hand, with lever for cleaning – Clamp ferrules

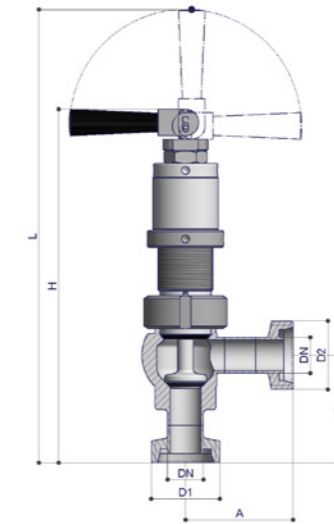


DN DIN	Dimension	EPDM					FKM				
		A	B	C(Ø)	H	L	kg	Reference Number	Price	Reference Number	Price
25	29 x 1,5	71	71	50,5	266	327	3,3	40914.1440.01.0004.32	on request	40914.1440.03.0004.32	on request
40	41 x 1,5	81	81	50,5	283	345	4,2	40914.1440.01.0006.32	on request	40914.1440.03.0006.32	on request
50	53 x 1,5	101	91	64	344	407	5,2	40914.1440.01.0007.32	on request	40914.1440.03.0007.32	on request
65	70 x 2	128	108	91	419	506	10,7	40914.1440.01.0008.32	on request	40914.1440.03.0008.32	on request
80	85 x 2	153	118	106	456	586	14,8	40914.1440.01.0009.32	on request	40914.1440.03.0009.32	on request
100	104 x 2	178	128	119	476	612	18,8	40914.1440.01.0010.32	on request	40914.1440.03.0010.32	on request

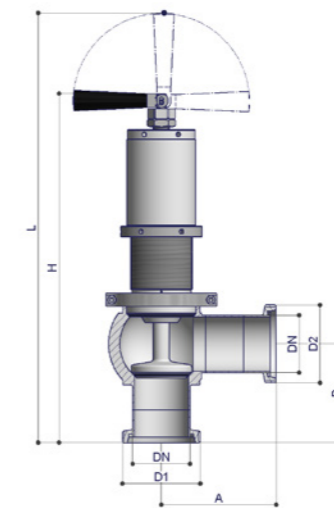
DN Inch	Dimension	EPDM					FKM				
		A	B	C(Ø)	H	L	kg	Reference Number	Price	Reference Number	Price
1"	25,4x1,65	62	62	50,5	256	316	3,3	40914.1440.01.0024.32	on request	40914.1440.03.0024.32	on request
1 ½"	38,1x1,65	72	72	50,5	271	333	4,0	40914.1440.01.0026.32	on request	40914.1440.03.0026.32	on request
2"	50,8x1,65	92	82	64	334	396	5,5	40914.1440.01.0027.32	on request	40914.1440.03.0027.32	on request
2 ½"	63,5x1,65	112	92	77,5	400	487	10,6	40914.1440.01.0028.32	on request	40914.1440.03.0028.32	on request
3"	76,2x1,65	132	92	91	429	557	13,6	40914.1440.01.0029.32	on request	40914.1440.03.0029.32	on request
4"	101,6x2,11	165,5	105,5	119	457,5	585,5	17,6	40914.1400.01.0030.32	on request	40914.1440.03.0030.32	on request

Overflow Valve ÜS4.01.122 – with lever

adjustable by hand, with lever for cleaning – with male ends



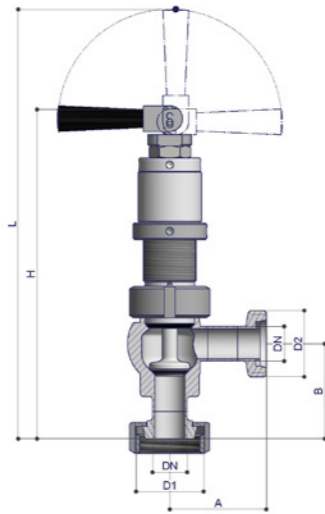
DN	D1/D2 Knuckle Thread	EPDM					FKM				
		A	B	H	L	kg	Reference Number	Price	Reference Number	Price	
10	Rd 28 x 1/8"	56	56	209	273	1,5	40914.1220.01.0001.32	on request	40914.1220.03.0001.32	on request	
15	Rd 34 x 1/8"	61	61	217	281	1,6	40914.1220.01.0002.32	on request	40914.1220.03.0002.32	on request	
20	Rd 44 x 1/6"	69	69	227	291	1,7	40914.1220.01.0003.32	on request	40914.1220.03.0003.32	on request	



DN	D1/D2 Knuckle Thread	EPDM					FKM				
		A	B	H	L	kg	Reference Number	Price	Reference Number	Price	
25	Rd 52 x 1/6"	79	79	274	335	3,4	40914.1220.01.0004.32	on request	40914.1220.03.0004.32	on request	
40	Rd 65 x 1/6"	93	93	294	354	4,5	40914.1220.01.0006.32	on request	40914.1220.03.0006.32	on request	
50	Rd 78 x 1/6"	115	105	358	421	5,6	40914.1220.01.0007.32	on request	40914.1220.03.0007.32	on request	
65	Rd 95 x 1/6"	140	120	431	518	11,1	40914.1220.01.0008.32	on request	40914.1220.03.0008.32	on request	
80	Rd 110 x 1/4"	170	135	473	603	14,8	40914.1220.01.0009.32	on request	40914.1220.03.0009.32	on request	
100	Rd 130 x 1/4"	204	154	502	638	18,9	40914.1220.01.0010.32	on request	40914.1220.03.0010.32	on request	

Overflow Valve ÜS4.01.132 – with lever

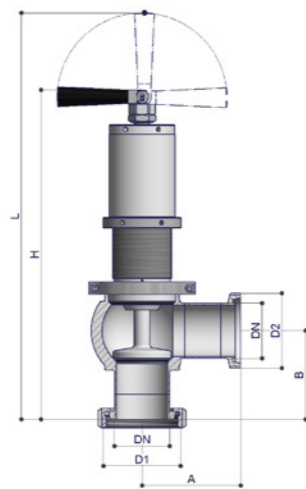
adjustable by hand, with lever for cleaning – Liner/nut-male



DN	D1/D2 Knuckle Thread	EPDM					FKM				
		A	B	H	L	kg	Reference Number	Price	Reference Number	Price	
10	Rd 28 x 1/8"	52	52	205	269	1,6	40914.1320.01.0001.32	on request	40914.1320.03.0001.32	on request	
15	Rd 34 x 1/8"	57	57	213	277	1,7	40914.1320.01.0002.32	on request	40914.1320.03.0002.32	on request	
20	Rd 44 x 1/6"	64	63	221	285	1,8	40914.1320.01.0003.32	on request	40914.1320.03.0003.32	on request	

Overflow Valve ÜS4.01.122 – with lever

adjustable by hand, with lever for cleaning – with male ends



DN	D1/D2 Knuckle Thread	EPDM					FKM				
		A	B	H	L	kg	Reference Number	Price	Reference Number	Price	
25	Rd 52 x 1/6"	72	72	267	328	3,5	40914.1320.01.0004.32	on request	40914.1320.03.0004.32	on request	
40	Rd 65 x 1/6"	83	86	288	350	4,7	40914.1320.01.0006.32	on request	40914.1320.03.0006.32	on request	
50	Rd 78 x 1/6"	103	98	351	414	5,8	40914.1320.01.0007.32	on request	40914.1320.03.0007.32	on request	
65	Rd 95 x 1/6"	125	112	423	510	11,4	40914.1320.01.0008.32	on request	40914.1320.03.0008.32	on request	
80	Rd 110 x 1/4"	150	127	465	595	15,4	40914.1320.01.0009.32	on request	40914.1320.03.0009.32	on request	
100	Rd 130 x 1/4"	180	144	492	628	19,6	40914.1320.01.0010.32	on request	40914.1320.03.0010.32	on request	

Spare Parts

Gasket Kit product side for type ÜS

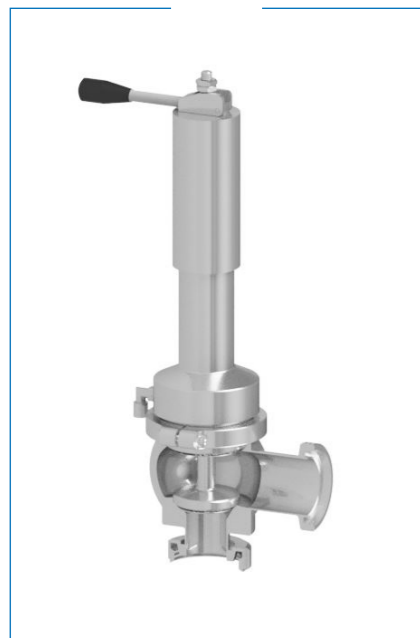
DN DIN/Inch	EPDM		FKM	
	Reference Number	Price	Reference Number	Price
10 / 1/2"	5005246	on request	5005323	on request
15 / 3/4"	5005246	on request	5005323	on request
20 / 3/4"	5005246	on request	5005323	on request
25 / 1"	5004754	on request	5005081	on request
40 / 1 1/2"	5004876	on request	5005279	on request
50 / 2"	5004657	on request	5004728	on request
65 / 2 1/2"	5005245	on request	5006438	on request
80 / 3"	5005244	on request	5006620	on request
100 / 4"	5004895	on request	5006322	on request

Overview of pressure ranges per nominal width

Inch	Dimension	P ₁ [bar]	P ₂ [bar]	P ₁ [psi]	P ₂ [psi]
3/8"	9,53 x 0,89	-	-	-	-
1/2"	12,70 x 1,65	1,5	3,2	21,76	46,41
1/2"	12,70 x 1,65	3	6	43,51	87,02
1/2"	12,70 x 1,65	5	8	72,52	116,03
3/4"	19,05 x 1,65	1,5	3,2	21,76	46,41
3/4"	19,05 x 1,65	3	6	43,51	87,02
3/4"	19,05 x 1,65	5	8	72,52	116,03
3/4"	19,05 x 1,65	7	13	101,53	188,55
1"	25,40 x 1,65	0	5	0	72,52
1"	25,40 x 1,65	0	8	0	116,03
1 1/2"	38,10 x 1,65	0,3	3,5	4,35	50,76
1 1/2"	38,10 x 1,65	3	7,5	43,51	108,78
2"	50,80 x 1,65	0,5	3	7,25	43,51
2"	50,80 x 1,65	3	8	43,51	116,03
2 1/2"	63,50 x 1,65	0,3	6	4,35	87,02
3"	76,20 x 1,65	to be updated	to be updated	to be updated	to be updated
3"	76,20 x 1,65	to be updated	to be updated	to be updated	to be updated
4"	101,60 x 2,11	to be updated	to be updated	to be updated	to be updated
4"	101,60 x 2,11	to be updated	to be updated	to be updated	to be updated

Exemplary selection of springs for pressure ranges. Prices may vary, on request.

1 bar = 14,5037738 psi i



RIEGER Bunging Valves SP open when the set pressure is reached and so prevent undue over pressures in tanks, which are caused by fermentation. They are also applied for recovery of CO₂. In addition to the bunging valves, a tank burst protection must always be provided.

Bunging valves are NO safety valves. For this purpose, we recommend our TÜV approved safety valves type SH.

The bunging valves are equipped with fittings, where the entrance is always smaller than the output. In addition to the lever, a pneumatic connection allows ventilation for cleaning of the valve seat.

CONSTRUCTION OF THE VALVE

- / massive valve housing
- / no dead spaces
- / completely draining
- / many possible installation orientations

SAFETY

- / clamp union between housing and actuator
- / optimum cleanability

EFFICIENCY

- / standard seals

ABSOLUTE PRODUCT SAFETY

- / high-grade inner surfaces
- / no sump , no dome

MATERIAL / in contact with product 1.4404/AISI 316L
 / optional 1.4435/AISI 316L
 / not in contact with product 1.4301/AISI 304
 / all Valves are available in special alloys, such as Hastelloy® C-22, 1.4539/904L, 1.4529, AL-6XN® and others.

GASKETS / O-rings/gaskets EPDM or FKM (other materials on request)

TEMPERATURES / maximum continuous operation 130 °C* (EPDM)
 / steam sterilization 150 °C* short-time (approx. 20 min) (EPDM)

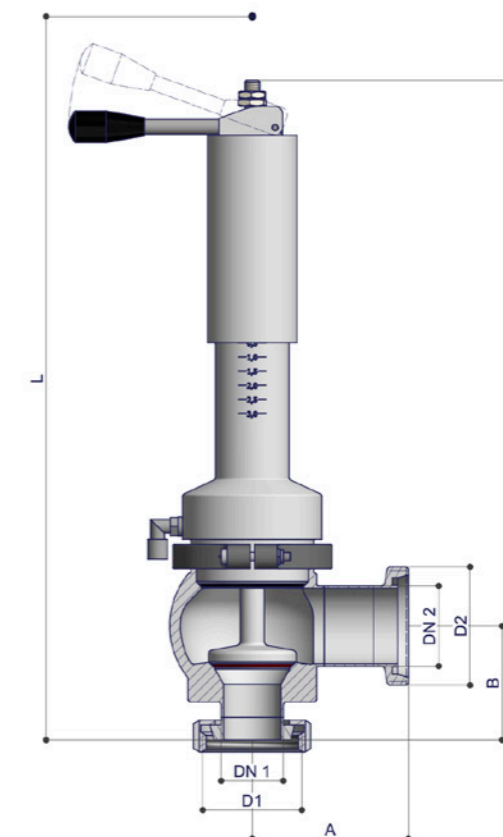
SET RANGE / Type 1320 0,5 bar – 3 bar (higher pressures on request)
 / Type 1321 0,2 bar – 2 bar (higher pressures on request)

SURFACES / in contact with product Ra ≤ 0,8 µm (32 µin) mechanically polished
 / not in contact with product Ra ≤ 1,6 µm (63 µin) mechanically polished
 / higher quality surface finishes and e-polishing available upon request

CONNECTIONS / DIN 11850-R2 (DIN 11866-A)

Bunging Valve SP14

adjustable by hand, with lever for cleaning – Liner/nut-male



DN	D1		D2		A	B	H	L	kg	EPDM		Gasket Kit	
	Knuckle Thread	Knuckle Thread	Reference Number	Price						Reference Number	Price		
25/40	Rd 52 x 1/6"	Rd 65 x 1/6"	82	70	371	434	6,0	48514.1320.01.0406.32	on request	5009684	on request		
40/50	Rd 65 x 1/6"	Rd 78 x 1/6"	103	75	436	511	8,7	48514.1320.01.0607.32	on request	5009664	on request		
50/65	Rd 78 x 1/6"	Rd 95 x 1/6"	125	98	467	558	11	48514.1320.01.0708.32	on request	5009664	on request		

adjustable from 0,5 up to 3 bar with scala 0,5 bar

DN	D1		D2		A	B	H	L	kg	EPDM		Gasket Kit	
	Knuckle Thread	Knuckle Thread	Reference Number	Price						Reference Number	Price		
25/40	Rd 52 x 1/6"	Rd 65 x 1/6"	82	70	371	434	6,0	48514.1321.01.0406.32	on request	5009684	on request		
40/50	Rd 65 x 1/6"	Rd 78 x 1/6"	103	75	436	511	8,7	48514.1321.01.0607.32	on request	5009664	on request		
50/65	Rd 78 x 1/6"	Rd 95 x 1/6"	125	98	467	558	11	48514.1321.01.0708.32	on request	5009664	on request		

adjustable from 0,2 up to 2 bar with scala 0,2 bar

* dependent upon operating conditions



RIEGER Overflow valves E8 are a combination of right angle and overflow valves. The desired pressure is adjustable, with a valve stroke as high as possible. Unlike an overflow valve, this valve can be opened up to 100 % - like a right angle valve. The overflow valve can be sealed. For reasons of safety, we use clamp unions between valve body and actuator, starting from size DN 25 – only to be opened with a tool.

The overflow valve type E8 is suitable for liquid media.

It is NO safety valve. For this purpose, we recommend out TÜV-approved safety valve type SH.

CONSTRUCTION OF THE VALVE

- / massive valve housing
- / no dead spaces
- / completely draining
- / many possible installation orientations

SAFETY

- / clamp union between housing and actuator
- / perfectly cleanable

EFFICIENCY

- / building block system – easy change between hygienic and aseptic version

ABSOLUTE PRODUCT SAFETY

- / high-grade inner surfaces
- / no sump , no dome

ADDITIONAL CERTIFICATES

- / in 3-A-design possible

MATERIAL / in contact with product 1.4404/AISI 316L
 / optional 1.4435/AISI 316L
 / not in contact with product 1.4301/AISI 304
 / all Valves are available in special alloys, such as Hastelloy® C-22, 1.4539/904L, 1.4529, AL-6XN® and others.

GASKETS / Teflon bellows PTFE
 / O-rings/gaskets EPDM (other materials on request)

TEMPERATURES / maximum continuous operation 130 °C* (EPDM) 121 °C* (PTFE)
 / steam sterilization 150 °C* (EPDM) 135 °C* short-time approx. 20 min (PTFE)

PRESSURE possible set pressure for O-ring version 0,5 - 6 bar standard, 10 bar and higher pressures available upon request
 PTFE bellows version DN 10-15 Type 2001: 1,0 to 2,9 bar
 DN 10-15 Type 2000: 3,0 to 6 bar
 DN 20-80 (100): 2,0 to 6 bar (4,5 bar)
 Requested set pressure required in purchase order. Set pressure range dependent on installed pressure spring.
 / air pressure min. 6 bar / max. 10 bar

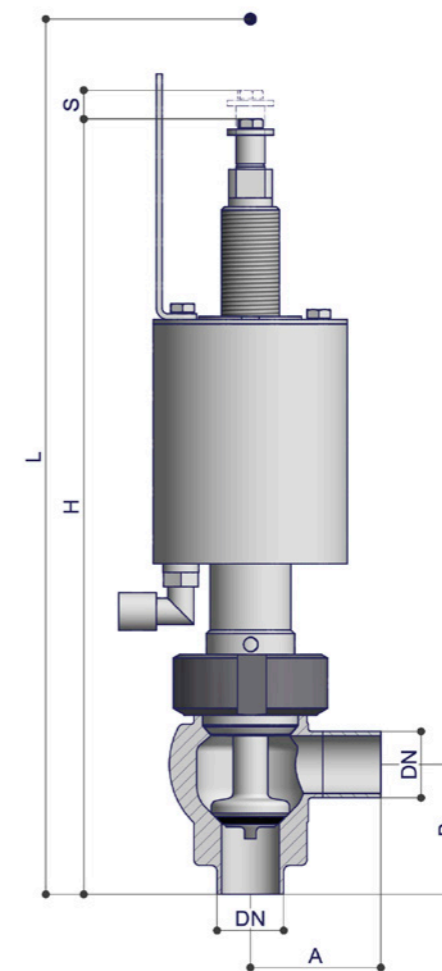
SURFACES / in contact with product Ra ≤ 0,8 µm (32 µin) mechanically polished
 / not in contact with product Ra ≤ 1,6 µm (63 µin) mechanically polished
 / higher quality surface finishes and e-polishing available upon request

CONNECTIONS / DIN 11850-R2 (DIN 11866-A)
 / O.D.-Tube (DIN 11866-C)

* dependent upon operating conditions

Overflow Valve E8.01

Hygienic Type

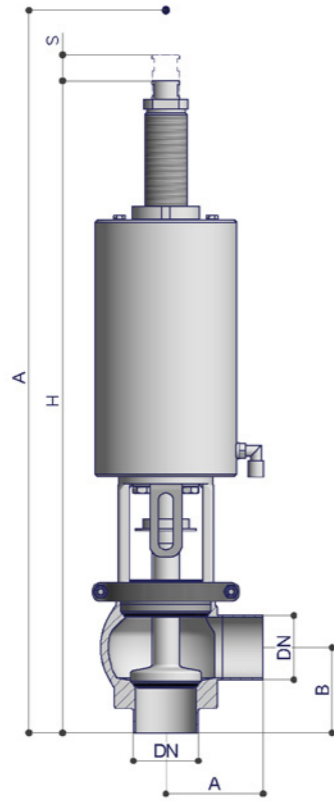


DN DIN	Dimension	A	B	H	L	Hub S	kg	EPDM		FKM	
								Reference Number	Price	Reference Number	Price
10	13 x 1,5	35	35	252	303	10	2,4	40201.1000.01.0001.32	on request	40201.1000.03.0001.32	on request
15	19 x 1,5	40	40	259	310	10	2,4	40201.1000.01.0002.32	on request	40201.1000.03.0002.32	on request
20	23 x 1,5	45	45	267	325	10	2,5	40201.1000.01.0003.32	on request	40201.1000.03.0003.32	on request

DN Inch	Dimension	A	B	H	L	Hub S	kg	EPDM		FKM	
								Reference Number	Price	Reference Number	Price
½"	12,7 x 1,65	35	35	252	303	10	2,5	40201.1000.01.0022.32	on request	5007533	on request
¾"	19,05 x 1,65	35	32	252	303	10	2,5	40201.1000.01.0023.32	on request	5007533	on request

Overflow Valve E8.01

Hygienic Type

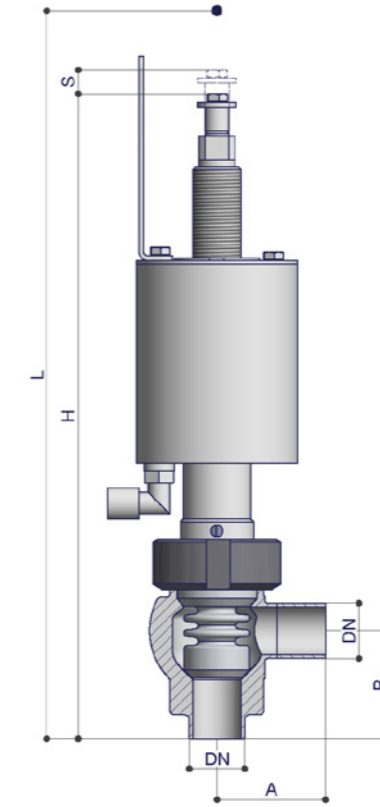


EPDM								FKM			
DN DIN	Dimension	A	B	H	L	Hub S	kg	Reference Number	Price	Reference Number	Price
25	29 x 1,5	50	50	391	450	18	5,5	40210.1000.01.0004.32	on request	40210.1000.03.0004.32	on request
40	41 x 1,5	60	60	411	479	18	7,2	40210.1000.01.0006.32	on request	40210.1000.03.0006.32	on request
50	53 x 1,5	80	70	535	615	22	14,5	40210.1000.01.0007.32	on request	40210.1000.03.0007.32	on request
65	70 x 2	100	80	556	652	22	16,7	40210.1000.01.0008.32	on request	40210.1000.03.0008.32	on request
80	85 x 2	125	90	626	739	25	21,7	40210.1000.01.0009.32	on request	40210.1000.03.0009.32	on request
100	104 x 2	150	100	695	826	22	38,5	40210.1000.01.0010.32	on request	40210.1000.03.0010.32	on request

EPDM								FKM			
DN Inch	Dimension	A	B	H	L	Hub S	kg	Reference Number	Price	Reference Number	Price
1"	25,4 x 1,65	50	50	362	421	17	5,5	40210.1000.01.0024.32	on request	40210.1000.03.0024.32	on request
1 1/2"	38,1 x 1,65	60	60	409	477	18	6,9	40210.1000.01.0026.32	on request	40210.1000.03.0026.32	on request
2"	50,8 x 1,65	80	65	530	608	21	14,6	40210.1000.01.0027.32	on request	40210.1000.03.0027.32	on request
2 1/2"	63,5 x 1,65	100	70	543	634	22	16,3	40210.1000.01.0028.32	on request	40210.1000.03.0028.32	on request
3"	76,2 x 1,65	120	80	613	719	25	20,9	40210.1000.01.0029.32	on request	40210.1000.03.0029.32	on request
4"	101,6 x 2,11	150	90	687	816	19	39	40210.1000.01.0030.32	on request	40210.1000.03.0030.32	on request

Overflow Valve E8.02

Aseptic Type – PTFE



for 3,0 until 6 bar

DN DIN	Dimension	A	B	H	L	Hub S	kg	Reference Number	Price
10	13 x 1,5	35	35	252	295	5	2,4	40201.2000.05.0001.32	on request
15	19 x 1,5	40	40	267	312	5	2,4	40201.2000.05.0002.32	on request
20	23 x 1,5	45	45	267	319	5	2,5	40201.2000.05.0003.32	on request

for 1,0 until 2,9 bar

DN DIN	Dimension	A	B	H	L	Hub S	kg	Reference Number	Price
10	13 x 1,5	35	35	252	295	5	2,4	40201.2001.05.0001.32	on request
15	19 x 1,5	40	40	267	312	5	2,4	40201.2001.05.0002.32	on request

for 3,0 until 6 bar

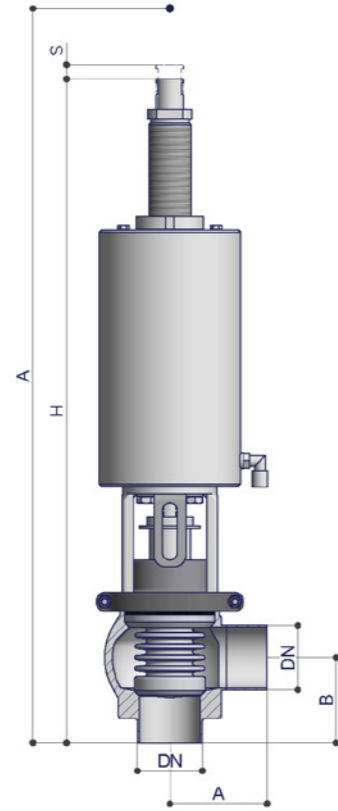
DN Inch	Dimension	A	B	H	L	Hub S	kg	Reference Number	Price
1/2"	12,7 x 1,65	35	35	252	295	5	2,4	40201.2000.05.0022.32	on request
3/4"	19,05 x 1,65	35	32	259	304	5	2,5	40201.2000.05.0023.32	on request

for 1,0 until 2,9 bar

DN Inch	Dimension	A	B	H	L	Hub S	kg	Reference Number	Price
1/2"	12,7 x 1,65	35	35	252	295	5	2,4	40201.2001.05.0022.32	on request
3/4"	19,05 x 1,65	35	32	259	304	5	2,5	40201.2001.05.0023.32	on request

Overflow Valve E8.02

Aseptic Type – PTFE

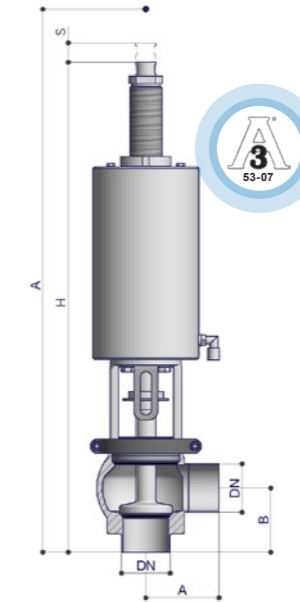


DN DIN	Dimension	A	B	H	L	Hub S	kg	Reference Number	Price
25	29 x 1,5	50	50	373	431	7	5,8	40210.2000.05.0004.32	on request
40	41 x 1,5	60	60	411	475	9	7,5	40210.2000.05.0006.32	on request
50	53 x 1,5	80	70	546	619	12	15,7	40210.2000.05.0007.32	on request
65	70 x 2	100	80	556	643	16	17,8	40210.2000.05.0008.32	on request
80	85 x 2	125	90	634	748	19	22,5	40210.2000.05.0009.32	on request
100	104 x 2	150	100	705	836	22	38,5	40210.2000.05.0010.32	on request

DN Inch	Dimension	A	B	H	L	Hub S	kg	Reference Number	Price
1"	25,4 x 1,65	50	50	371	425	5	5,6	40210.2000.05.0024.32	on request
1 1/2"	38,1 x 1,65	60	60	459	523	9	7,5	40210.2000.05.0026.32	on request
2"	50,8 x 1,65	80	65	545	618	12	15,8	40210.2000.05.0027.32	on request
2 1/2"	63,5 x 1,65	100	70	557	641	16	17,8	40210.2000.05.0028.32	on request
3"	76,2 x 1,65	120	80	634	748	19	22,5	40210.2000.05.0029.32	on request
4"	101,6 x 2,11	150	90	705	836	22	38,5	40210.2000.05.0030.32	on request

Overflow Valve E8.01 3-A Standard

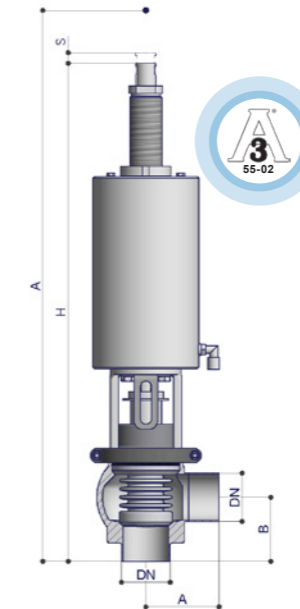
Hygienic Type



DN Inch	Dimension	A	B	H	L	Hub S	kg	Reference Number	Price	EPDM		FKM	
										Bestellnr.	Price	Bestellnr.	Price
1"	25,4 x 1,65	50	50	362	421	17	5,5	40210.1000.01.0024.32.301	on request	40210.1000.03.0024.32.301	on request		
1 1/2"	38,1 x 1,65	60	60	409	477	18	6,9	40210.1000.01.0026.32.301	on request	40210.1000.03.0026.32.301	on request		
2"	50,8 x 1,65	80	65	530	608	21	14,6	40210.1000.01.0027.32.301	on request	40210.1000.03.0027.32.301	on request		
2 1/2"	63,5 x 1,65	100	70	543	634	22	16,3	40210.1000.01.0028.32.301	on request	40210.1000.03.0028.32.301	on request		
3"	76,2 x 1,65	120	80	613	719	25	20,9	40210.1000.01.0029.32.301	on request	40210.1000.03.0029.32.301	on request		
4"	101,6 x 2,11	150	90	687	816	19	39	40210.1000.01.0030.32.301	on request	40210.1000.03.0030.32.301	on request		

Overflow Valve E8.02 3-A Standard

Aseptic Type



DN Inch	Dimension	A	B	H	L	Hub S	kg	Reference Number	Price
1"	25,4 x 1,65	50	50	371	425	5	5,6	40210.2000.05.0024.32.301	on request
1 1/2"	38,1 x 1,65	60	60	459	523	9	7,5	40210.2000.05.0026.32.301	on request
2"	50,8 x 1,65	80	65	545	618	12	15,8	40210.2000.05.0027.32.301	on request
2 1/2"	63,5 x 1,65	100	70	557	641	16	17,8	40210.2000.05.0028.32.301	on request
3"	76,2 x 1,65	120	80	634	748	19	22,5	40210.2000.05.0029.32.301	on request
4"	101,6 x 2,11	150	90	705	836	22	38,5	40210.2000.05.0030.32.301	on request

Spare Parts Hygienic Type

Gasket Kit for Type E8.01

EPDM			FKM	
DN DIN	Reference Number	Price	Reference Number	Price
10 – 15	5009464	on request	5007533	on request
20	5006363	on request	5005459	on request
25	5006366	on request	5000317	on request
40	5006367	on request	5009493	on request
50	5006368	on request	5006709	on request
65	5006369	on request	5004232	on request
80	5006370	on request	5009494	on request
100	5000107	on request	5009660	on request

EPDM			FKM	
DN Inch	Reference Number	Price	Reference Number	Price
½" – ¾"	5009464	on request	5007533	on request
1"	5006366	on request	5000317	on request
1 ½"	5006367	on request	5009493	on request
2"	5006368	on request	5006709	on request
2 ½"	5007722	on request	5009669	on request
3"	5008041	on request	5009688	on request
4"	5000107	on request	5009660	on request

Adjustment range for E8-Overflow Valve – Hygienic Type

Type: E8.01.201-xxZ

With actuator: 300.01.210-xxZ

DN DIN	Spring	p[bar]	p[psi]
25	1	3,7 – 5,3	54 – 77
	2	0,3 – 9	4,4 – 130,5
	3	0 – 3	0 – 43,5
40	4	2 – 11	29 – 159,5
	5	0 – 5	0 – 72,5
50	6	0,1 – 13	1,45 – 188,5
65	7	0,05 – 7,8	0,73 – 113,1
	8	0,4 – 9,6	5,8 – 139,2
80	9	0,5 – 7	7,25 – 101,5
100	10	4,5 – 10	65,3 – 145

DN Inch	Spring	p[bar]	p[psi]
1"	1	5 – 7,5	72,5 – 109
	2	1 – 13	14,5 – 188,5
	3	0,1 – 4,4	1,45 – 63,8
1,5"	4	3 – 14	43,5 – 203
	5	0 – 6	0 – 87
2"	6	0,3 – 15	4,4 – 217,5
2,5"	7	0,06 – 2,8	8,7 – 40,6
	8	0,2 – 3	2,9 – 43,5
3"	9	1,2 – 10	17,4 – 145
4"	10	5 – 11	72,5 – 159,5

Spare Parts Aseptic Type

Gasket Kit for Type E8.02

for 3,0 until 6 bar

DN DIN	Reference Number	Price
10 – 15	5006364	on request
20	5006365	on request

for 1,0 until 2,9 bar

DN DIN	Reference Number	Price
10 – 15	5009414	on request

DN DIN	Reference Number	Price
25	5006371	on request
40	5006372	on request
50	5006373	on request
65	5006374	on request
80	5006375	on request
100	5009662	on request

for 3,0 until 6 bar

DN Inch	Reference Number	Price
½" – ¾"	5006364	on request

for 1,0 until 2,9 bar

DN Inch	Reference Number	Price
½" – ¾"	5009414	on request

DN Inch	Reference Number	Price
1"	5006371	on request
1 ½"	5006372	on request
2"	5006373	on request
2 ½"	5007473	on request
3"	5009701	on request
4"	5009702	on request

Spare Parts Aseptic Type

Gasket Kit for Type E8.02 3-A Standard

DN Inch	Reference Number	Price
1"	5009298	on request
1 ½"	5009689	on request
2"	5009690	on request
2 ½"	5009691	on request
3"	5009692	on request
4"	5009693	on request



Die **Overflow Valve Typ ER** von Rieger sind aus dem Typ E8 entstanden und bilden die „Reverse Acting“ Reihe der Rieger Overflow Valve. Diese Overflow Valve Typ ER können pneumatisch für die CIP-Reinigung geöffnet werden. Sie können auch hier den Einstelldruck im verfügbaren Einstellbereich manuell ändern. Dieser Ventiltyp mit seiner Gehäusekonfiguration wird zum Absichern einer Pumpe mit einer Bypassleitung verwendet.

ABSOLUTER PRODUKTSCHUTZ

- / vollkommene Trennung von der Umgebung
- / kein Sumpf, kein Dom

SERVICEFREUNDLICHKEIT

- / Dichtungswechsel ohne Spezialwerkzeuge
- / geringe Stillstandszeiten
- / optimal zu reinigen

WIRTSCHAFTLICHKEIT

- / Standard-Dichtungen
- / minimale Wartungskosten

AUFBAU DES VENTILS

- / massives Ventilgehäuse
- / keine Toträume
- / vollkommen leerlaufend
- / viele Einbaulagen möglich

ZUSÄTZLICHE ZERTIFIKATE

- / auch in 3-A-Ausführung möglich

MATERIAL

- / produktberührt 1.4404/AISI 316L
- / optional 1.4435/AISI 316L
- / nicht produktberührt 1.4301/AISI 304
- / alle Ventile in Sonderwerkstoffen wie Hastelloy® C-22, 1.4539/904L, 1.4529, AL-6XN® und weitere verfügbar

DICHTUNGEN

- / O-Ringe/Dichtungen EPDM und FKM (andere auf Anfrage)

TEMPERATUREN

- / Dauerbetriebstemperatur bis 130 °C*
- / Sterilisiertemperatur bis 150 °C*

DRÜCKE

- / möglicher Einstelldruck bei O-Ring-Ausführung 0,5 – 10 bar (höhere Drücke auf Anfrage)
- / Druckbereich abhängig von eingebauter Spring Wunscheinstelldruck bei Bestellung angeben
- / Steuerdruck min. 6 bar / max. 10 bar

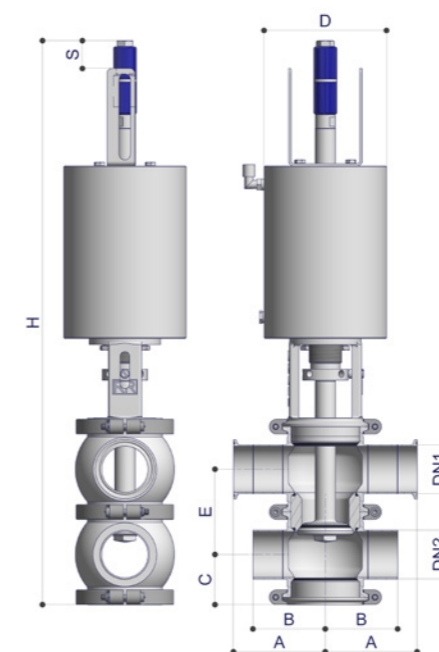
OBERFLÄCHEN

- / produktberührt Ra ≤ 0,8 µm (32 µin) mechanisch poliert
- / nicht produktberührt Ra ≤ 1,6 µm (63 µin) mechanisch poliert
- / andere Oberflächen sowie E-Politur auf Anfrage möglich

ANSCHLÜSSE

- / DIN 11850-R2 (DIN 11866-A)
- / O.D.-Tube (DIN 11866-C)

Overflow Valve ER
Hygienic version



DN DIN	Dimension	A	B	C	D	E	DN1	DN2	H	Hub S	kg	EPDM		FKM	
												Reference Number	Price	Reference Number	Price
25	29 x 1,5	on request										44129.1000.01.0004.32	on request	44129.1000.03.0004.32	on request
40	41 x 1,5	on request										44129.1000.01.0006.32	on request	44129.1000.03.0006.32	on request
50	53 x 1,5	100	78	54	132	92	53 x 1,5	53 x 1,5	608	33	18	44129.1000.01.0007.32	on request	44129.1000.03.0007.32	on request
65	70 x 2	128	100	64	132	109	70 x 2	70 x 2	633	30	22	44129.1000.01.0008.32	on request	44129.1000.03.0008.32	on request
80	85 x 2	on request										44129.1000.01.0009.32	on request	44129.1000.03.0009.32	on request
100	104 x 2	on request										44129.1000.01.0010.32	on request	44129.1000.03.0010.32	on request

DN Inch	Dimension	A	B	C	D	E	DN1	DN2	H	Hub S	kg	Reference Number	Price	Reference Number	Price
1"	25,4 x 1,65	63	50	40	88	64	25,4 x 1,65	25,4 x 1,65	469	11,5	7,5	44129.1000.01.0024.32	on request	44129.1000.03.0024.32	on request
1 1/2"	38,1 x 1,65	93	80	47	88	77	38,1 x 1,65	38,1 x 1,65	482	20	10	44129.1000.01.0026.32	on request	44129.1000.03.0026.32	on request
2"	50,8 x 1,65	93	80	53	132	90	50,8 x 1,65	50,8 x 1,65	606	35	17	44129.1000.01.0027.32	on request	44129.1000.03.0027.32	on request
2 1/2"	63,5 x 1,65	113	100	60	132	102	63,5 x 1,65	63,5 x 1,65	620	30	21	44129.1000.01.0028.32	on request	44129.1000.03.0028.32	on request
3"	76,2 x 1,65	120	132,7	68	172	117	76,2 x 1,65	76,2 x 1,65	733	40	31	44129.1000.01.0029.32	on request	44129.1000.03.0029.32	on request
4"	101,6 x 2,11	150	166	80	172	143	101,6 x 2,11	101,6 x 2,11	807	40	42	44129.1000.01.0030.32	on request	44129.1000.03.0030.32	on request

For a smooth position detection from 0-100 % even from a first movement of the valve spindle we recommend the Bürkert Positioners with (0) 4-20 mA. For further details see chapter Control Tops.



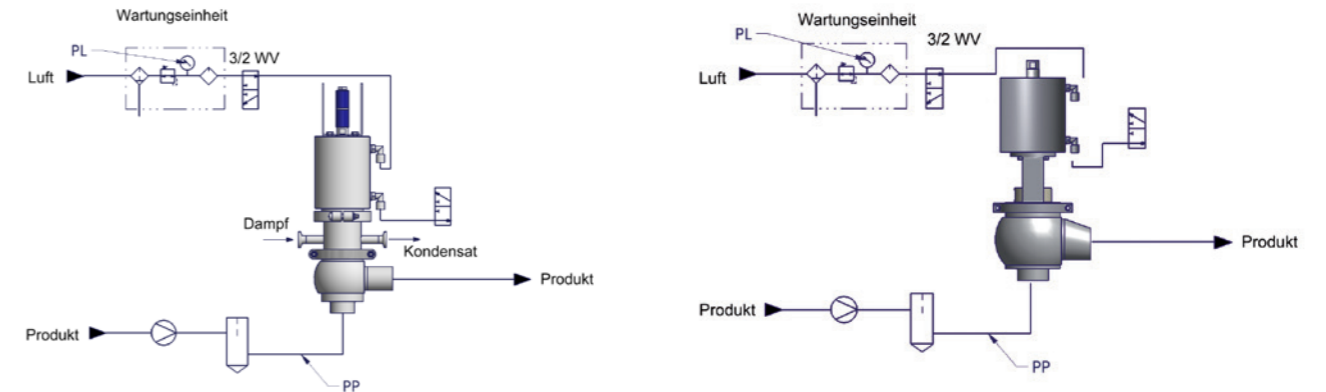
* dependent upon operating conditions



The **RIEGER Backpressure Valve** valve has the task of keeping a defined pressure on the valve inlet side constantly above the control air pressure. This pressure can be, for example, the liquid pressure (PP) in a line after a filter or heat exchanger. If the pressure drops downstream of the filter, the valve will automatically adjust to the set pressure level. This is achieved with the help of a maintenance unit, the pressure gauge of which is set to the the calculated holding pressure PL of the pressure retaining valve.

In the DH2.02 type, the product chamber is protected against foreign contamination by the PTFE bellow, that means the „lift effect“ is avoided. The hygienic Constant pressure valve DH1 is available without and with a vapour barrier.

Calculation formula for to be adjusted air pressure PL:
 $PL = (PP \times VF) \pm 0,1 \text{ bar}$



First, the 3/2-way-solenoid valve is positioned on passage in direction of the pressure retaining valve. In case of cleaning the solenoid valve is turned, the regulating cone opens and the air is vented through the solenoid valve. The pressure remains constant to the adjusted pressure in bar, even if the pressure after the pressure retaining valve changes.

Example for DN 25 with PP (product pressure) of 3 bar between filter and pressure retaining valve:
 $PL = (3 \text{ bar} \times 0,14) \pm 0,1 \text{ bar} = 0,42 \pm 0,1 \text{ bar}$,
 i.e.: PL: approx. 0,32 to 0,52 bar (dependent on the plant)

The shown values are reference points. The to be adjusted pressure depends on weight of regulating cone, friction, product, temperature a.s.o. As a consequence the pressure has to comply with the circumstances in place. Mentioned values are only approximate values.

CONSTRUCTION OF THE VALVE

- / massive valve housing
- / no dead spaces
- / chambered valve spindle

DESIGN

- / high-grade inner surfaces

SERVICEABLE MAINTENANCE

- / exchange of gaskets without special tools
- / optimum cleanability
- / no lift effect
- / sterilizable control cone

MAINTENANCE UNIT

- / Consists of air pressure control valve and manometer e.g. from Festo, Bürkert
- / with optional accessories like oil filter, silencer a.s.o. – is to be provided by the customer

MATERIAL

- / in contact with product 1.4404/AISI 316L
- / optional 1.4435/AISI 316L
- / not in contact with product 1.4301/AISI 304
- / all Valves are available in special alloys, such as Hastelloy® C-22, 1.4539/904L, 1.4529, AL-6XN® and others.

GASKETS

- / Hygienic EPDM
- / Aseptic PTFE

TEMPERATURES

- / maximum continuous operation EPDM: max. 130 °C*, PTFE: max. 121 °C*
- / steam sterilization EPDM: max. 150 °C, PTFE: max. 135 °C* short-time (approx. 20 min)

SET PRESSURE RANGES

- / EPDM: from 2 bar up to 10 bar
- / PTFE: from 2 bar up to 10 bar

SURFACES

- / in contact with product $Ra \leq 0,8 \mu\text{m}$ (32 μin) mechanically polished
- / not in contact with product $Ra \leq 1,6 \mu\text{m}$ (63 μin) mechanically polished
- / higher quality surface finishes and e-polishing available upon request

CONNECTIONS

- / DIN 11850-R2 (DIN 11866-A)

* dependent upon operating conditions



DH1.01.100 without vapour barrier



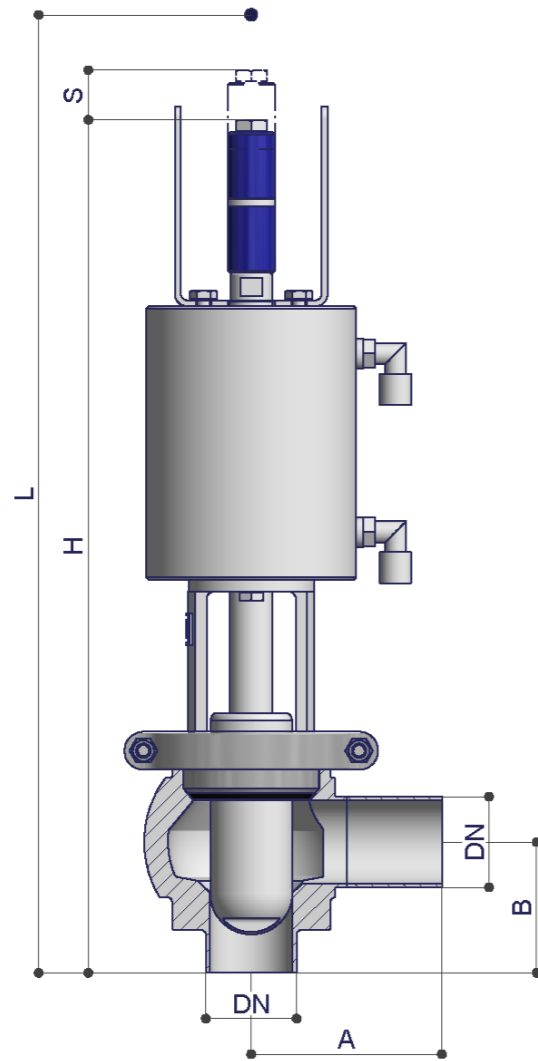
DH1.01.001 with vapour barrier



DH2.02.001

Hygienic Backpressure Valve DH1.01.100

without vapour barrier – with EPDM gaskets

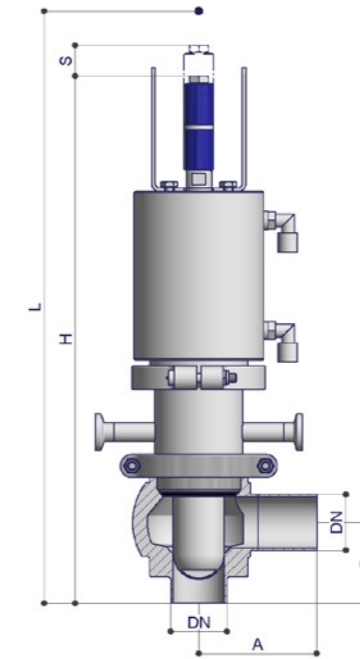


Gasket Kits Product Size												
DN DIN	Dimension	A	B	H	L	Hub S	VF	kg	Reference Number	Price	Reference Number	Price
40	41 x 1,5	60	60	231	315	19	0,19	5,2	41130.7001.01.0006.32	on request	5015106	on request
50	53 x 1,5	80	70	320	422	35	0,31	8,1	41130.7001.01.0007.32	on request	5015107	on request
65	70 x 2	100	80	339	462	35	0,5	11,5	41130.7001.01.0008.32	on request	5015108	on request
80	85 x 2	125	90	417	567	45	0,5	20,6	41130.7001.01.0009.32	on request	5015109	on request

PL(bar): +/- 0,1

Hygienic Backpressure Valve DH1.01.001

with vapour barrier – with EPDM gaskets



Gasket Kits Product Size												
DN DIN	Dimension	A	B	H	L	Hub	VF	kg	Reference Number	Price	Reference Number	Price
40	41 x 1,5	60	60	231	315	19	0,19	5,2	41130.7004.01.0006.32	on request	5015006	on request
50	53 x 1,5	80	70	320	422	35	0,31	8,1	41130.7004.01.0007.32	on request	5005054	on request
65	70 x 2	100	80	339	462	35	0,5	11,5	41130.7004.01.0008.32	on request	5005056	on request
80	85 x 2	125	90	417	567	45	0,5	20,6	41130.7004.01.0009.32	on request	5015009	on request

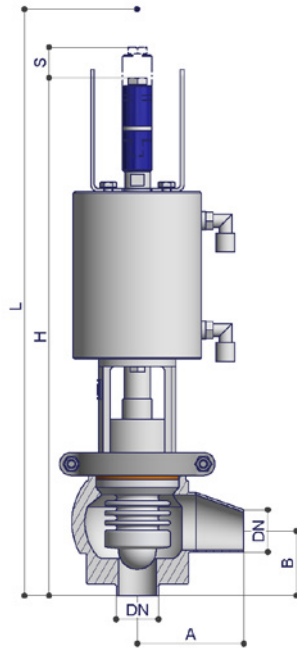
PL(bar): +/- 0,1

KV-Value table DH1



Aseptic Backpressure Valve DH2.02.001

with PTFE bellows



Gasket Kits Product Size

DN DIN	Dimension	A	B	H	L	Hub	VF	kg	Reference Number	Price	Reference Number	Price
20	23 x 1,5	50,5	42	239	305	10	0,18	3,4	41130.2000.05.0003.32	on request	5006059	on request
25	29 x 1,5	73	44,5	356	435	14	0,14	6,3	41130.2000.05.0004.32	on request	5006060	on request
40	41 x 1,5	80	54	428	525	16	0,19	11	41130.2000.05.0006.32	on request	5005513	on request
50	53 x 1,5	98	62	445	564	21	0,31	13	41130.2000.05.0007.32	on request	5005134	on request
65	70 x 2	101	72,5	464	608	24,5	0,5	16	41130.2000.05.0008.32	on request	5006061	on request
80	85 x 2	121	80,5	575	744	31	0,5	23	41130.2000.05.0009.32	on request	5006062	on request

PL(bar): +/- 0,1

KV-Value table DH1

